

Parts Catalog



SPC30P

Mixer

Model: SPC30P

10/19/2016 Rev. -

IMPORTANT!

TO EXPEDITE SHIPMENT OF PARTS, ALWAYS SPECIFY MODEL, REV,
PART NUMBER, AND SERIAL NUMBER OF UNIT.

GLOBE FOOD EQUIPMENT COMPANY

2215 East River Road

Dayton, Ohio 45439

Parts Department

Toll Free 1-800-745-6238 · Fax (937) 290-0585

E-Mail: info@globefoodequip.com

Website: www.globefoodequip.com

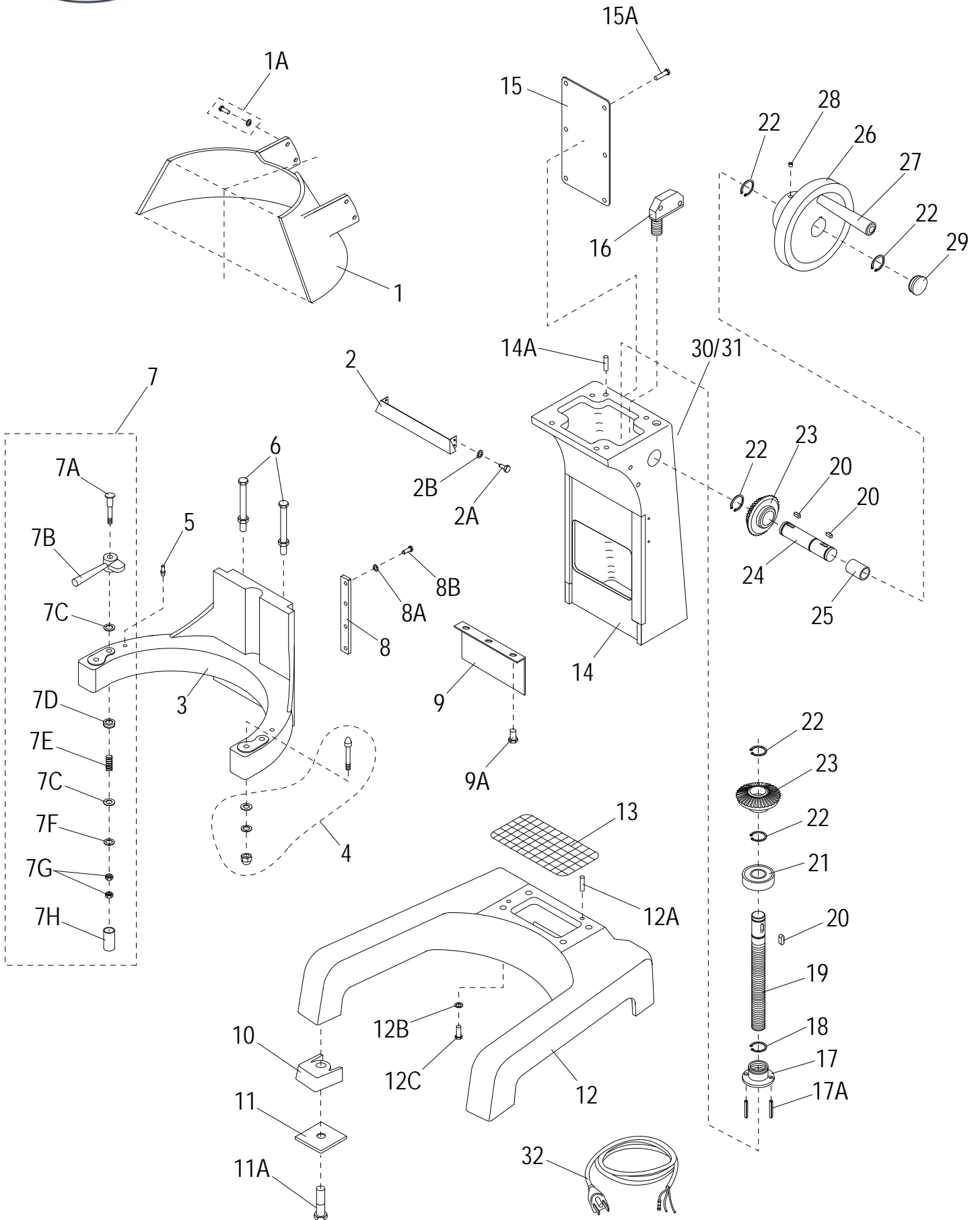
Not for resale

Table of Contents

Description	Page
SPC30P Base, Crank Style Components	4
SPC30P Base, Lever Style Components	8
SPC30P Head Components	12
SPC30P Hub Assembly Components	14
SPC30P Planetary Components	16
SPC30P Gearbox Components	18
SPC30P Motor Components	22
SPC30P Motor Brake Components	24
SPC30P Manual and Digital Timer	26
SPC30P Wiring Diagram, 220V Single Phase	27
SPC30P Wiring Diagram, Single Phase, Digital Timer	28



SPC30P Base, Crank Style Components





SPC30P Base, Crank Style Components

Item	Part Number	Description	Qty	Serial Number
1	X30036	Guard, Rear	1	
1A	X30101	Hex Screw M8x20mm & Flat Washer	4	
2	X30102	Mixer Column Cover	1	
2A		Screw M6x10mm Hex Hd	3	
2B		Washer M6 Flat	3	
3	X30034	Bowl Cradle	1	
4	X30109	Dowel Screw (Incl. M10 Hardware)	2	
5	X30167	Bowl Clamp Stop Pin	2	
6	X40106	Screw M10x54mm Hex Hd/Nut (Touch Shaft)	1	
6A	X30106A	Screw M10x68mm Hex Hd/Nut, Limit Bowl Stop (Not Shown)	1	
7	X30033	Bowl Clamp Assembly (Set/2) (Incl. items 7A-7H)	1	
7A	X30108	Bowl Clamp Hardware Kit (Incl. items 7C-7G)	2	
7B	X30033-2	Bowl Clamp (Set/2, New Style)	1	
7C		Washer M12 Flat	4	
7D		Hardware Cap Retainer	2	
7E		Spring	2	
7F		Washer M12 Split Lock	2	
7G		Nut M12 Jam	4	
7H		Hardware Cap	2	
8	X30035	Cradle Slide Guides	2	
8A	X08076	Washer M8 Flat	8	
8B	X30107	Screw M8x30mm Hex Hd	8	
9	X30164	Cover, Cradle, S/S	1	
9A		Screw M6x14mm Hex Hd	3	
10	X30162-163	Front/Rear Rubber Feet (Set)	1	
11		Shipping Washer	4	
11A	X30039	Screw M12x58mm Hex Hd	4	
12	X30038	Mixer Base	1	
12	X30038-DG	Mixer Base	1	
12A		Dowel Pin Ø8x16mm Column Locator	2	
12B		Washer M12 Flat	4	
12C		Screw M12x40mm Hex Hd	4	
13	X30037	Base Screen	1	
14	X30042	Mixer Column	1	
14	X30042-DG	Mixer Column	1	
14A	X30178	Dowel Pin Ø8x16mm Head Locator	2	
15	X30055	Plate, Rear Cover	1	
15A	X30056	Screw M5x6mm Truss Hd	6	
16	X30051-1	Microswitch, Bowl Lift	1	
17	X30104	Screw Sleeve	1	
17A	X30105	Roll Pin Ø4x30mm	2	
18	X25145	Retaining STW-35 Ring	1	
19	X30041	Bowl Lift Screw	1	
20	X20123	Shaft Key 5x5x15mm	3	
21	X30043	Ball Bearing	1	
22	X30044	Retaining STW-25 Ring	5	
23	X30045	Oblique Gear (30T)	2	
24	X30047	Shaft	1	
25	X30050	Oilless Bearing	1	
26	X30053	Hand Wheel Assy W/Hardware, New Style (Plastic)	1	
26		Hand Wheel Assy W/Hardware, Old Style (Metal)	1	
27	X30053-1	Hand Wheel Crank Handle	1	
28		Set Screw M10x8mm Cup Pt. (Metal Wheel Only)	1	



SPC30P Base, Crank Style Components

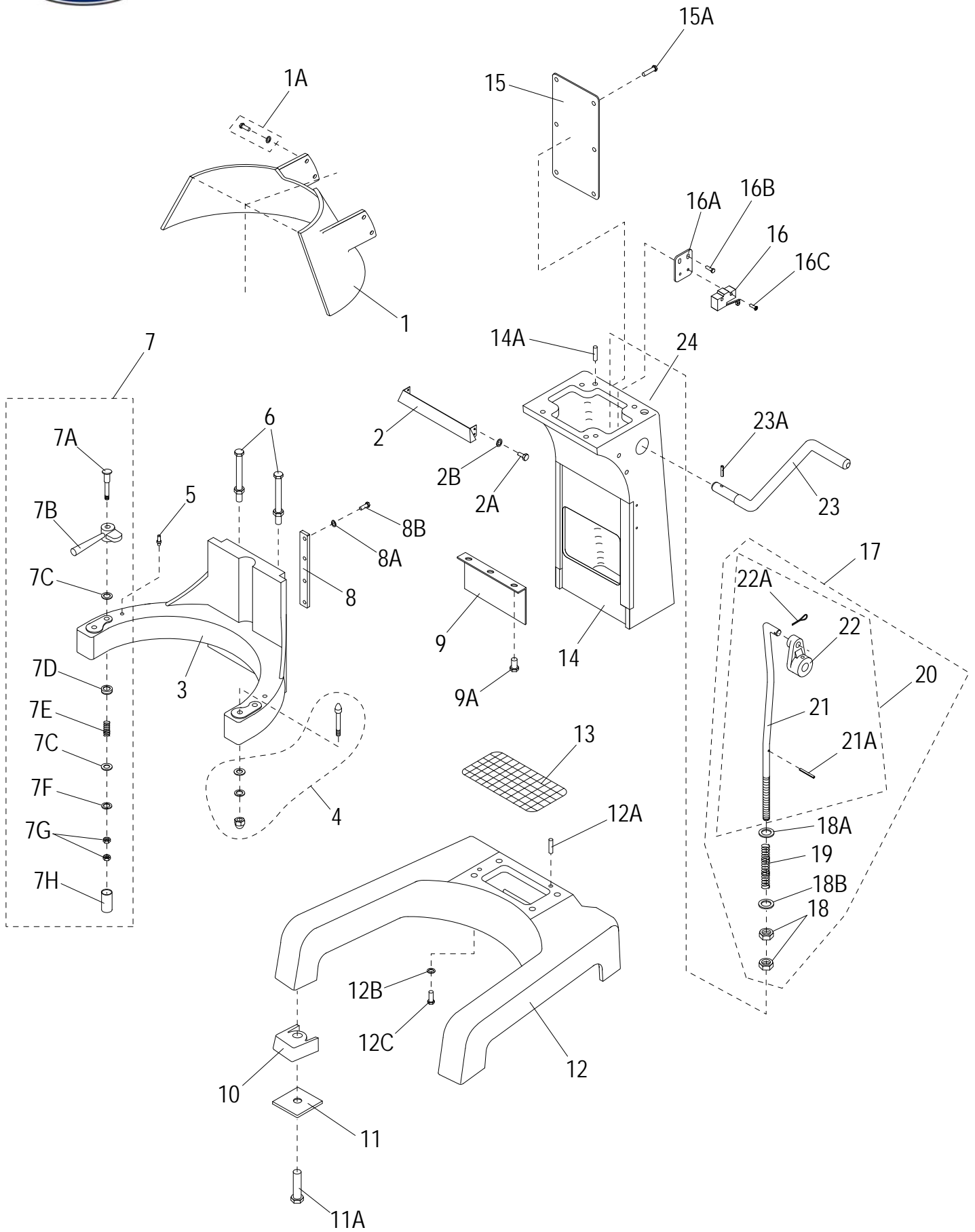
Item	Part Number	Description	Qty	Serial Number
29		Hand Wheel Cap	1	
30	X91014	Label, Hazardous Voltage (Not Shown)	1	
31	952-12	Strain Relief, Liquid Tight (Not Shown)	1	
32	X30155P	Power Cord, 220V Mixer	1	



INTENTIONALLY LEFT BLANK PAGE



SPC30P Base, Lever Style Components





SPC30P Base, Lever Style Components

Item	Part Number	Description	Qty	Serial Number
1	X30036	Guard, Rear	1	
1A	X30101	Hex Screw M8x20mm & Flat Washer	4	
2	X30102	Mixer Column Cover	1	
2A		Screw M6x10mm Hex Hd	3	
2B	X25069	Washer M6 Flat	3	
3	X30034-1	Bowl Cradle	1	
3	X30034-DG	Bowl Cradle	1	7314991 ->
4	X30109	Dowel Screw (Incl. Hardware)	2	
5	X30167	Bowl Clamp Stop Pin	2	
6	X40106	Screw M10x54mm Hex Hd/Nut (Touch Shaft)	1	
7	X30033	Bowl Clamp Assembly (Set/2) (Incl. items 7A-7H)	1	
7A	X30108	Bowl Clamp Hardware Kit	2	
7B	X30033-2	Bowl Clamp (Set/2, New Style)	1	
7C		Washer M12 Flat	4	
7D		Hardware Cap Retainer	2	
7E		Spring	2	
7F		Washer M12 Split Lock	2	
7G		Nut M12 Jam	4	
7H		Hardware Cap	2	
8	X30035	Cradle Slide Guides	2	
8A	X08076	Washer M8 Flat	8	
8B	X30069	Screw M8x30mm Hex Hd	8	
9	X30164	Cover, Cradle, S/S	1	
9A		Screw M6x14mm Hex Hd	3	
10	X30162-163	Front/Rear Rubber Feet (Set)	1	
11		Shipping Washer	4	
11A	X30039	Screw M12x58mm Hex Hd	4	
12	X30038	Mixer Base	1	
12	X30038-DG	Mixer Base	1	7314991 ->
12A		Dowel Pin Ø8x16mm Column Locator	2	
12B	X80B05	Washer M12 Split Lock	4	
12C	X80B04	Screw M12x40mm Hex Hd	4	
13	X30037	Base Screen	1	
14	X00647	Mixer Column	1	
14A	X30178	Dowel Pin Ø8x16mm Head Locator	2	
15	X30055	Plate, Rear Cover	1	
15A	X30056	Screw M5x6mm Truss Hd	6	
16	X30219	Microswitch, Bowl Lift	1	
16A	X30216	Bracket, Microswitch Mounting	1	
16B	X30217	Screw M6x8mm Truss Hd	2	
16C	X30218	Screw M4x24mm Pan Hd & Flatwasher	2	
17	X30211A	Bowl Lift Rod Assembly (Incl. items 18-21A)	1	
18	X30215	Nut M12 Hex	2	
18A	X30213	Washer M14 Large Flat	2	
18B	X01370	Washer M12 Flat	1	
19	X30214	Spring	1	
20	X01371	Bowl Lift Rod with Cam and Pin (Incl. items 21-22A)	1	
21		Bowl Lift Rod	1	
21A		Roll M4x30mm Pin	1	
22		Bowl Lift Cam	1	
22A		Cotter Pin	1	
23	X30208	Bowl Lift Arm	1	
23A	X30209	Roll M5x30mm Pin	1	



SPC30P Base, Lever Style Components

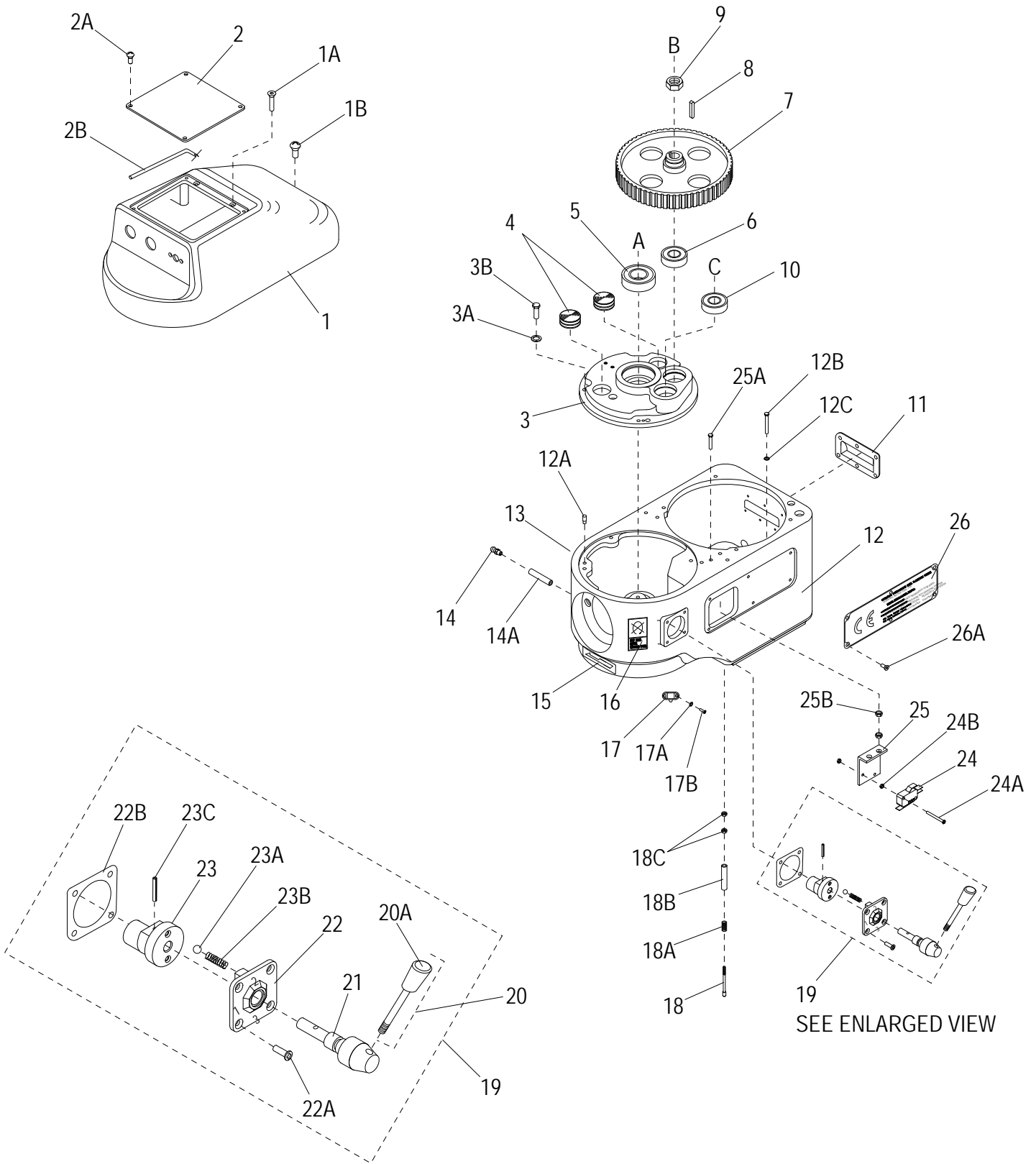
Item	Part Number	Description	Qty	Serial Number
24	X91014	Label, Hazardous Voltage	1	
25	952-12	Strain Relief, Liquid Tight (Not Shown)	1	
26	X30155	Power Cord, 110V Mixer (Not Shown)	1	



INTENTIONALLY LEFT BLANK PAGE



SPC30P Head Components



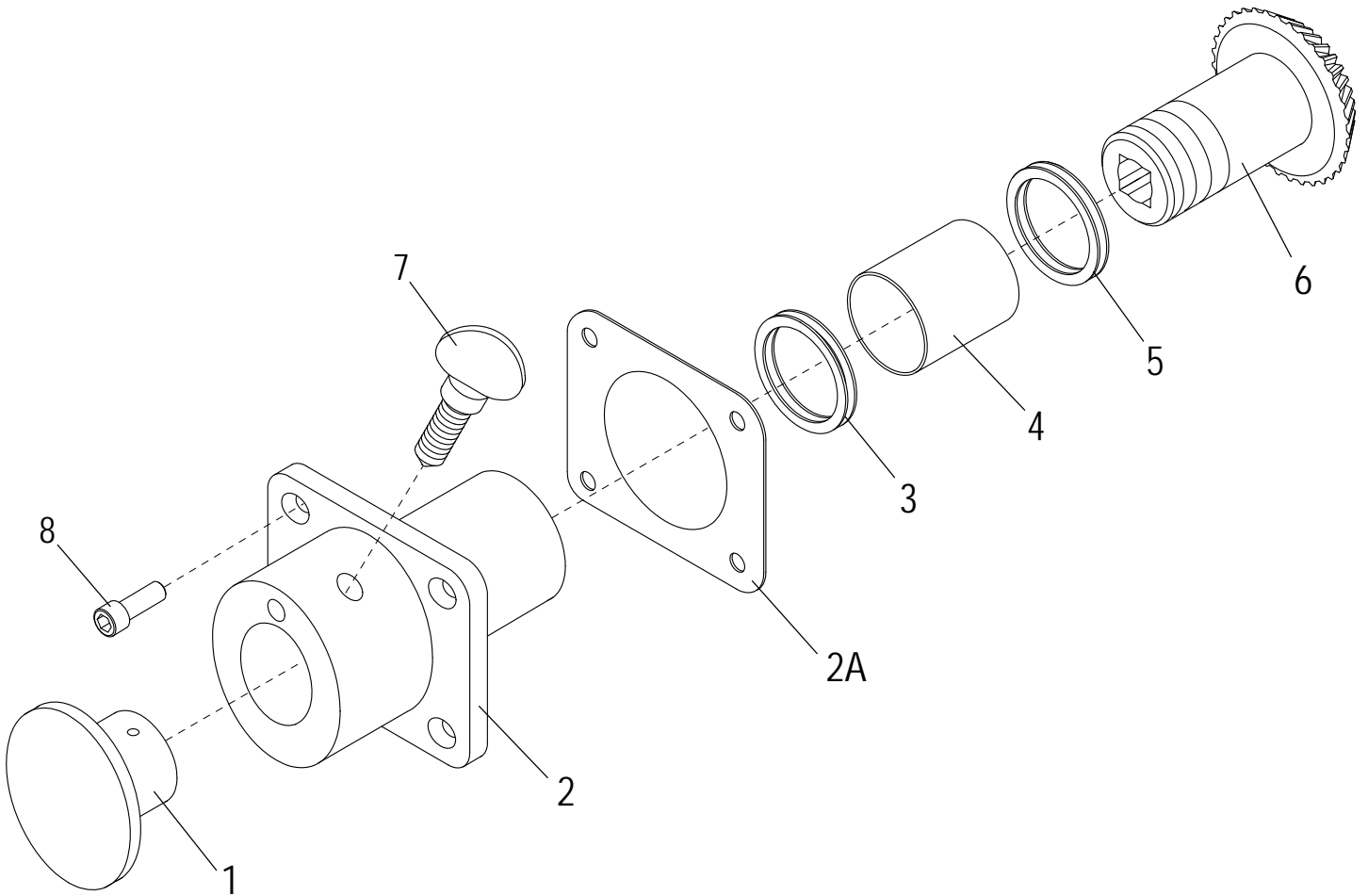


SPC30P Head Components

Item	Part Number	Description	Qty	Serial Number
1	X30004	Cover, Transmission	1	
1	X30004-DG	Cover, Transmission	1	
1A	X30207	Screw M8x108mm Flat Hd	2	
1B	X30220	Screw M6x90mm Flat Hd	1	
2	X30002	Cover, Switch Box	1	
2A	X30001	Screw M6x10mm Truss Hd	4	
2B	X30003	Gasket	1	
3	X30077	Cover, Gear Housing	1	
3A	X30198	Washer M8 Split Lock	4	
3B	X30197	Screw M8x24mm Hex Hd	4	
4	X10073	Grease Plug	2	
5	X30024	Ball Bearing	1	
6	X10012	Ball Bearing	1	
7	X30080	Wheel, Main Cog	1	
8	X30081	Shaft 5x5x30mm Key	1	
9	X30082	Nut M16 Hex	1	
10	X10012	Ball Bearing	1	
11	X30076	Plate, Ventilation	1	
12	X30087	Transmission Case, Fixed Bowl Guard	1	
12	X30087-1	Transmission Case, Removable Bowl Guard	1	
12A		Dowel Pin, Threaded	2	
13	X91009	Label, Lubricate	1	
14	X10900	Grease Fitting	1	
14A	X10217	Grease Tube	1	
15	X91012	Label, Arrow	1	
16	X91010	Label, Stop To Chg Gears	1	
17	X10134	Safety Guard Spring Lock	1	
17A		Washer M3 Flat	2	
17B		Screw M3x8mm Round Hd	2	
18	X30096	Touch Shaft, Brass	1	
18	X30096N	Touch Shaft, Nylon	1	
18A	X30095	Spring	1	
18B		Tube	1	
18C	X30186	Nut M5 Hex	2	
19	X30057-60	Gear Shift Lever Assembly	1	
20	X30057	Gear Shift Lever With Knob	1	
20A	X30057-1	Knob, Gear Shift	1	
21		Shaft	1	
22		Cover	1	
22A	X30179	Screw M8x20mm Flat Hd	4	
22B	X30059-1	Gasket	1	
23		Shaft Bias	1	
23A		Roller	2	
23B		Spring	2	
23C		Roll Ø3x28mm Pin	1	
24	X10057	Microswitch, Interlock	1	
24A	854-2	Screw #4-40x5/8" Round Hd	2	
24B	854-3	Hex #4-40 Nut	4	
25	X30062	Bracket, Microswitch	1	
25A		Screw M6x20mm Hex Hd	2	
25B		Nut M6	4	
26	X30066	Plate, Warning	1	
26A	X30065	Screw M4x6mm Pan Hd	6	



SPC30P Hub Assembly Components



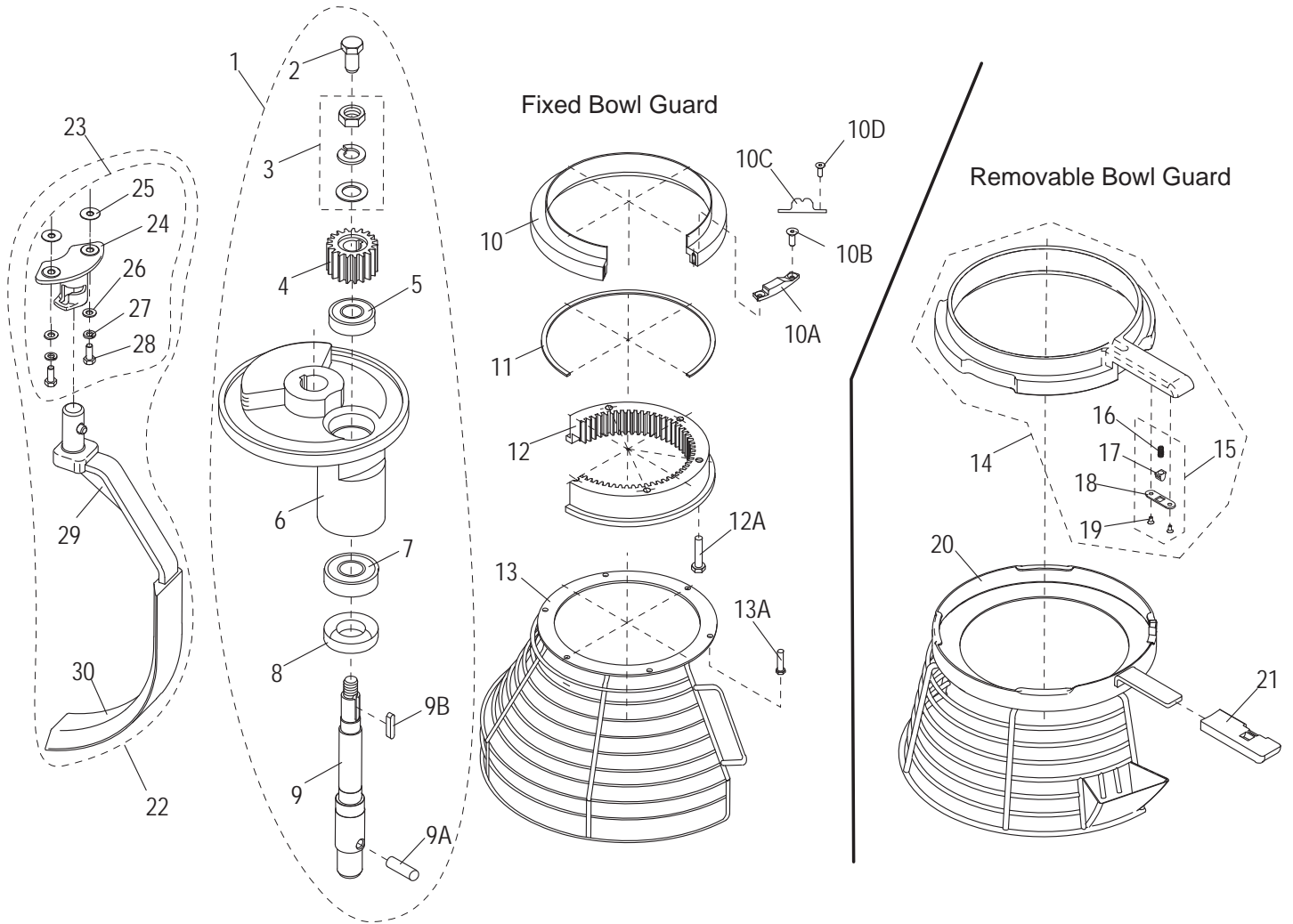


SPC30P Hub Assembly Components

Item	Part Number	Description	Qty	Serial Number
1	X10007	Attachment Hole Plug	1	
2	X30017	Attachment Hub	1	
2	X30017-DG	Attachment Hub	1	
2A		Gasket	1	
3	X10089	Oil Seal	1	
4	X10075	Bearing	1	
5	X30018-1	Thrust Washer Ø45xØ35mm	2	
6	X30014	Level Drive Gear (35T)	1	
7	X10005	Thumb Screw 1/2-13x3/4"	1	
8		Gasket	4	



SPC30P Planetary Components



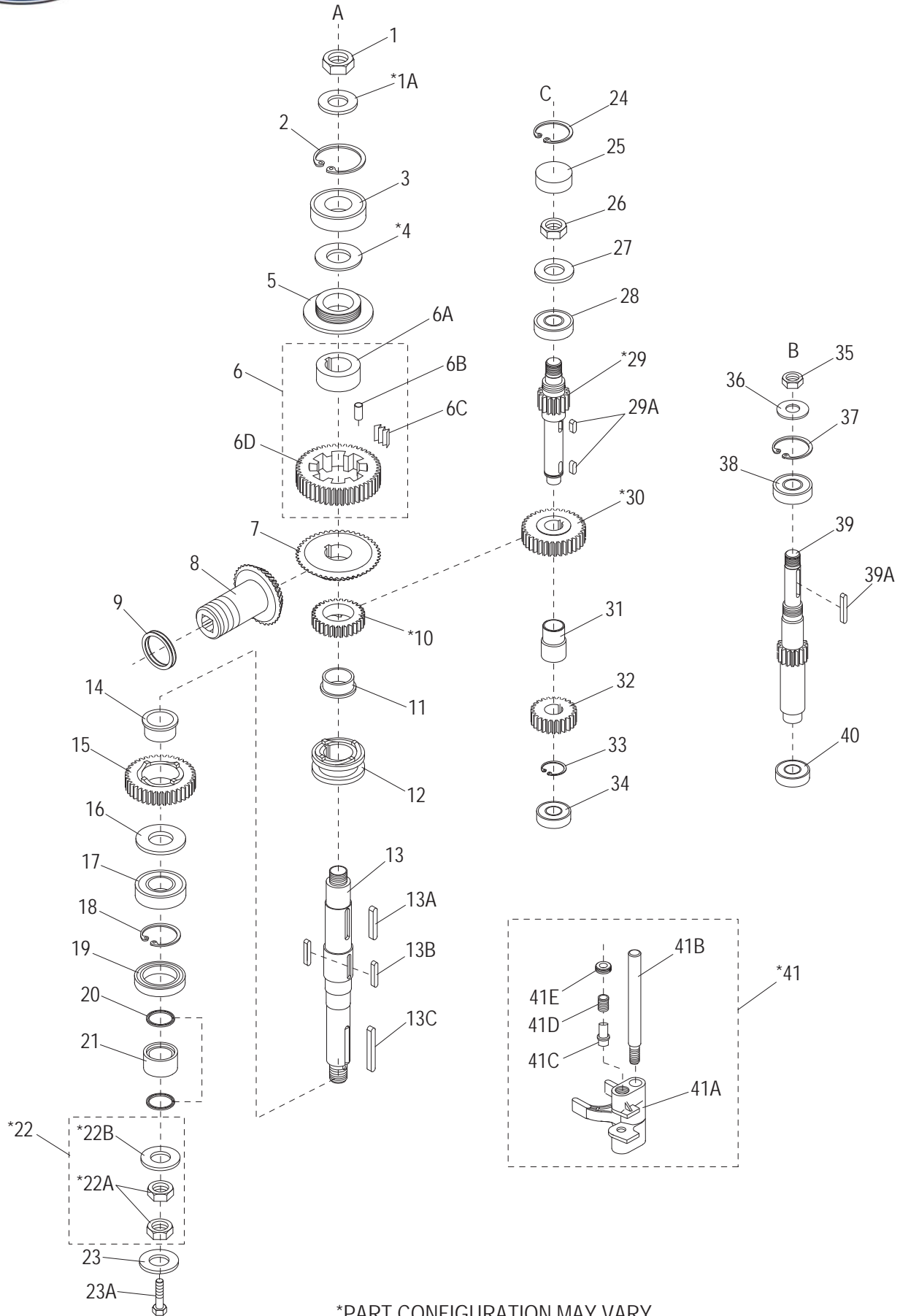


SPC30P Planetary Components

Item	Part Number	Description	Qty	Serial Number
1	X30019-28	Complete Planetary Assembly (Incl. items 2-9B)	1	
2	X30019	Screw M10x24mm Hex Hd (Old Style Shaft)	1	
3	X30020	Nut M14 Stop & Washers	1	
4	X30021	Pinion, Beater (21T)	1	
5	X10012	Ball Bearing	1	
6	X30023	Planetary Shaft Holder	1	
6	X30023-DG	Planetary Shaft Holder	1	
7	X30024	Ball Bearing	1	
8	X30025	Oil Seal	1	
9	X30027	Planetary Shaft, External Thread (New Style)	1	
9		Planetary Shaft, Internal Thread (Old Style)	1	
9A	X30028	Dowel Pin M12x17mm	1	
9B	X30026	Shaft Key 5x5x24mm	1	
10	X30090P	Slide Sheath, Plastic	1	
10A	X10041	Touch Mass	1	
10B	X10042	Screw M4x10mm Flat Hd - SS	2	
10C	X10135	Safety Guard Spring Lock Fixture	1	
10D		Screw M4x10mm Round Hd	2	
11	X30091	Teflon Mat	1	
12	X30092	Ring Gear (67T)	1	
12A	X30099	Screw M8x28mm Socket Hd	6	
13	X30093-94	Front Interlocking Guard Assy	1	
13A	X10083	Screw M5x8mm Hex Hd - Locking Patch	6	
14	X300S2	Plastic Slide Sheath, Removable Safety Guard (Incl. items 15-19)	1	
15	X200S3	Spring Plunger Hardware Kit	1	
16		Spring	1	
17		Plunger	1	
18		Plate, Plunger Retention	1	
19		Screw M3x8mm Flat Hd	2	
20	X300S1	Bowl Guard Assembly, Stainless Steel	1	
21	X30504	Handle, Plastic - Removable Safety Guard	1	
22	XXSCRP-30	Bowl Scraper Assembly (Incl. items 23-30)	1	
23		Scraper Mounting Kit (Incl. items 24-28)	1	
24		Washer	2	
25		Scraper Mounting Hub	1	
26		Washer M8 Flat	2	
27		Washer M8 Split Lock	2	
28		Screw M8x25mm Hex Hd	2	
29		Scraper Arm	1	
30	X40515	Bowl Scraper	1	



SPC30P Gearbox Components



*PART CONFIGURATION MAY VARY.



SPC30P Gearbox Components

Item	Part Number	Description	Qty	Serial Number
1	X30111	Nut M20 Jam	1	
1A	X30111A	Washer M20 Flat	1	Part Config. May Vary
2	X30112	Retaining Ring STW-52	1	
3	X30024	Ball Bearing	1	
4		Shim	1	Part Config. May Vary
5	X30113	Lead-In Oil Pad	1	
6	X30114-117	Slow Speed Gear Assembly	1	(Incl. items 6A-6D)
6A		Bushing	1	
6B		Roller Pin	1	
6C		Slice Spring	1	
6D		Gear, Slow Speed (52T)	1	
7	X30118	Gear, Bevel (52T)	1	
8	X30014	Level Drive Gear (35T)	1	
9	X30200	Thrust Washer	1	
10		Gear, Clutch (36T) Old Style	1	Replace with *
10	X30120-2	Gear, Clutch (35T) New Style	1	*, **
11	X30119	Bushing, Clutch	1	
12	X30133	Sleeve, Clutch	1	
13	X30130	Drive Shaft	1	
13A	X30121	Shaft Key 8x8x44mm	1	
13B	X30132	Shaft Key 8x10x34mm	1	
13C	X30131	Shaft Key 10x10x57mm	1	
14	X30119	Bushing, Clutch	1	
15	X30122	Gear, Clutch (45T)	1	
16	X30124	Heel	1	
17	X30125	Ball Bearing	1	
18	X30126	C-Ring Retaining Ring STW-72	1	
19	X30128	Oil Seal	1	
20	X30221	O-Ring 36x30x3mm	2	
21	X30127	Guard, Oil Bushing	1	
22	X30129C	Washer M20 Flat & Stop Nut	1	Part Config. May Vary
22A	X30111	Nut M20 Jam	2	Part Config. May Vary
22B	X30111A	Washer M20 Flat	1	Part Config. May Vary
23	X30129B	Washer M8x25x1.8 Flat	1	Part Config. May Vary
23A	X30129A	Screw M8x12mm Hex Head	1	Part Config. May Vary
24	X25106	Retaining Ring STW-52	1	
25		Cap, Shaft	1	
26	X30147	Nut M16 Stop	1	
27		Washer M16	1	
28	X10012	Ball Bearing	1	
29	X30150-1	Transmission Shaft (13T) Old Style, Keyed	1	Part Config. May Vary
29	X30150-2	Transmission Shaft (13T) New Style, Splined	1	
29A	X30149	Shaft Key 6x6x16mm	2	
30		Gear (29T) Old Style	1	Replace with *
30	X30148-2	Gear (30T) New Style	1	*, **
31	X30144	Bushing, Spacer	1	
32	X30143-1	Gear (20T) Old Style, Keyed	1	
32	X30143-2	Gear (20T) New Style, Splined	1	
33	X30141	Retaining Ring STW-24	1	
34	X30140	Ball Bearing	1	
35	X30147	Nut M16 Stop	1	
36		Washer, Flat M16	1	
37	X30146	Retaining Ring STW-42	1	



SPC30P Gearbox Components

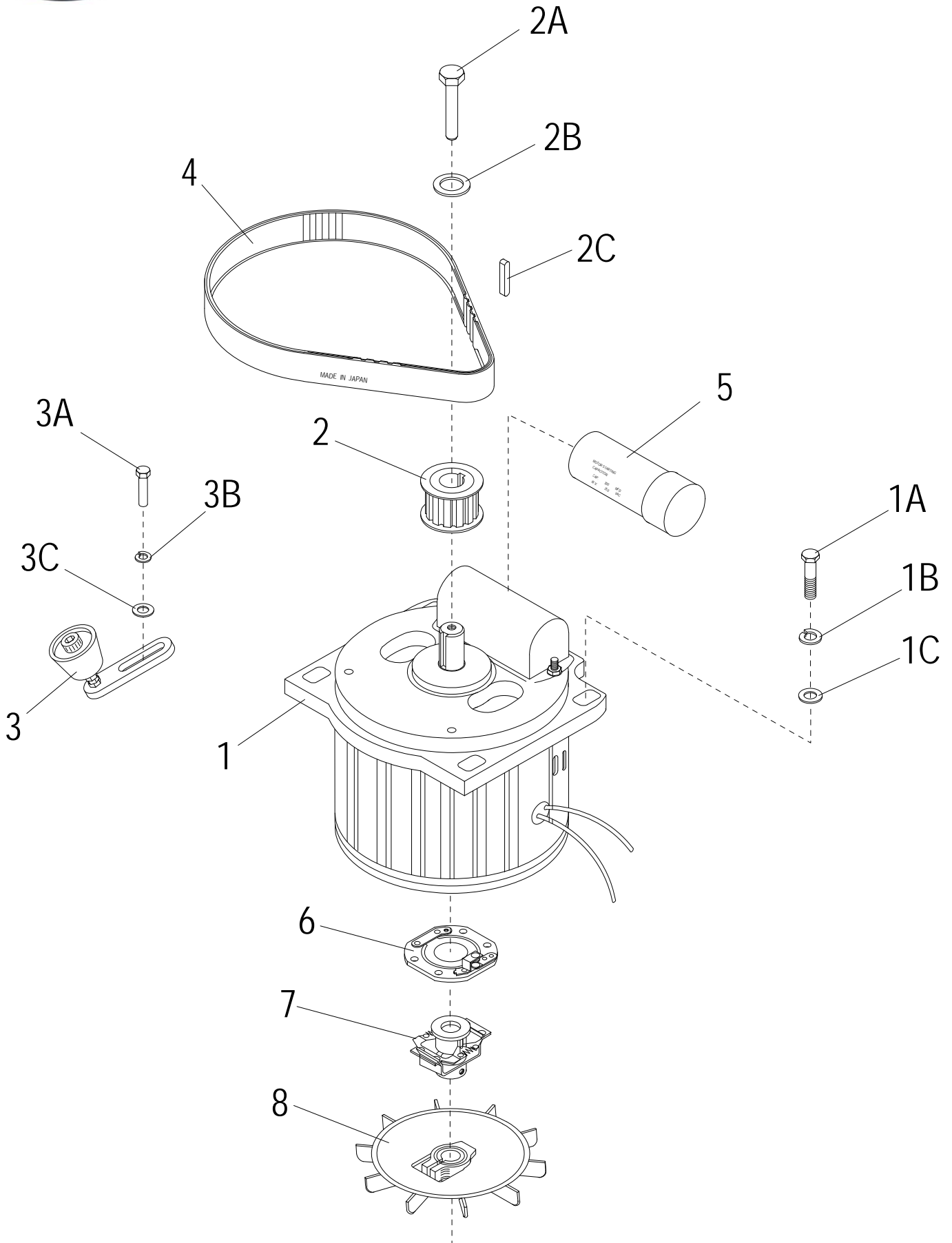
Item	Part Number	Description	Qty	Serial Number
38	X10012	Ball Bearing	1	
39	X30145	Shaft, Master (15T) If 12 Tooth Gear	*, Replace with **	1
39A	X30081	Shaft 5x5x30mm Key		1
40	X30140	Ball Bearing	Part Config. May Vary	1
41	X30134-139	Yoke Shifter Assembly	(Incl. items 41A-41E)	1
41A		Washer, Flat M16		1
41B		Guide, Rod Shifter		1
41C		Plunger, Yoke Shifter		1
41D		Spring, Yoke Shifter		1
41E		Spring, Retainer		1



INTENTIONALLY LEFT BLANK PAGE



SPC30P Motor Components



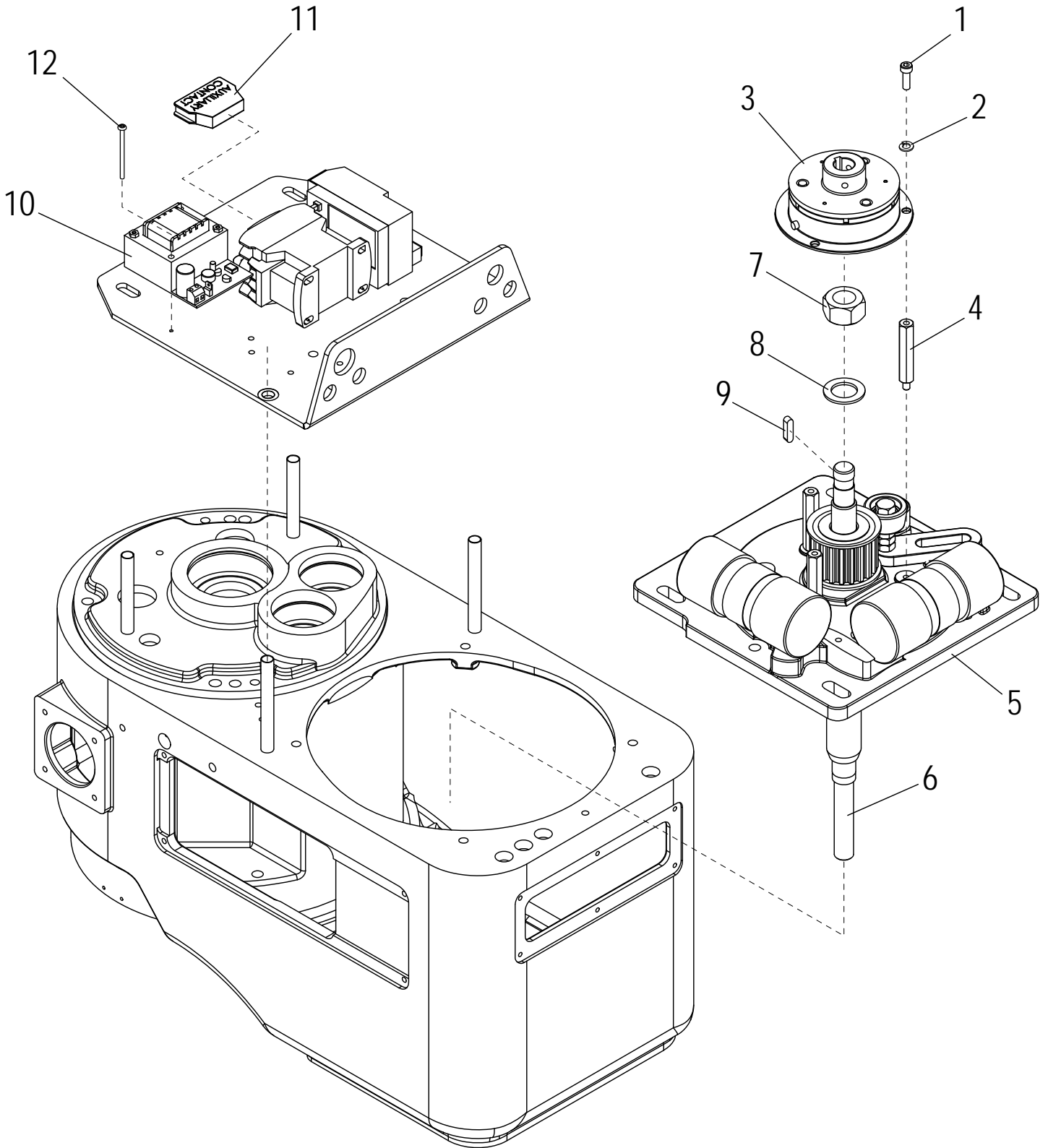


SPC30P Motor Components

Item	Part Number	Description	Qty	Serial Number
1	X30068PC	Motor, 1.5HP 220/60/1 - Motor Brake	1	
1A	X30069	Screw M8x30mm Hex Hd	4	
2	X30071	Wheel, Motor Cog (18T) 60HZ	1	
2	X00734	Wheel, Motor Cog (20T) 50HZ	1	
2A	X30075	Screw M8x20mm Hex Hd	1	
2B	X30074	Washer M8 Flat	2	
2C	X40073	Shaft Key 5x5x20mm	1	
3	X30158	Belt Tensioner	1	
3A		Screw M8x24mm Hex Hd	2	
3B		Washer M8 Split Lock	2	
3C		Washer M8 Flat	2	
4	X30072-1	Cogged Belt (S8M-800)	1	
4	X40072-1	Cogged Belt (S8M-880)	1	
5	X30070-1P	Capacitor, Start 500Mf	1	
6	X10051	Switch, Platinum	1	
7	X25059	Clutch	1	
8	X30061	Cooling Fan	1	



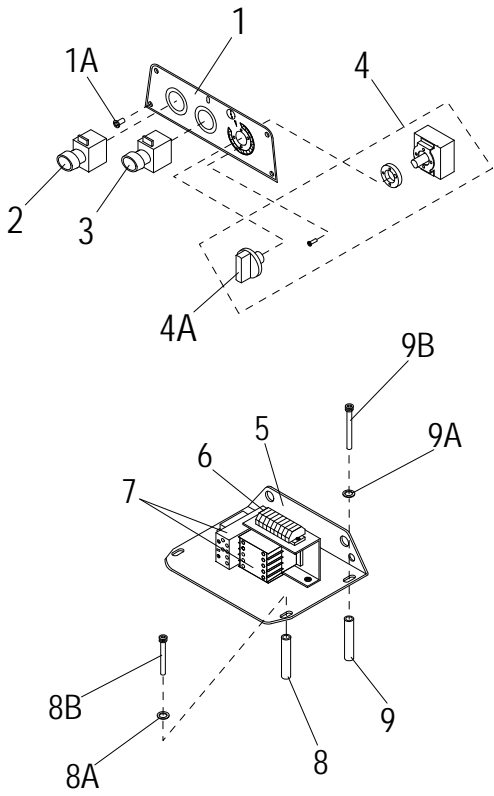
SPC30P Motor Brake Components



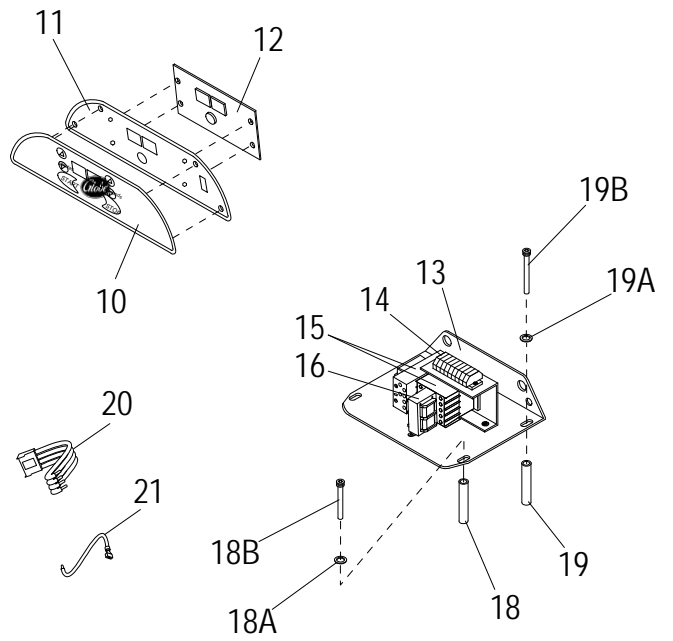


SPC30P Motor Brake Components

Item	Part Number	Description	Qty	Serial Number
1		Screw M5x12mm Socket Hd	4	
2		Washer M8 Split Lock	1	
3	X30501	Motor Brake, Magnetic	1	
4	X30502	Hex Standoff	3	
5		Top Cover, Motor	1	
6		Motor Shaft	1	
7		Nut M18 Hex	1	
8		Washer M18 Flat	1	
9		Shaft Key 5x5x20mm	1	
10	X20512-1	Electronic Board, 220V	1	
11	X25503	Auxiliary Contact Block	1	
12		Screw M3x34mm Hex Hd	2	



Manual Timer



Digital Timer

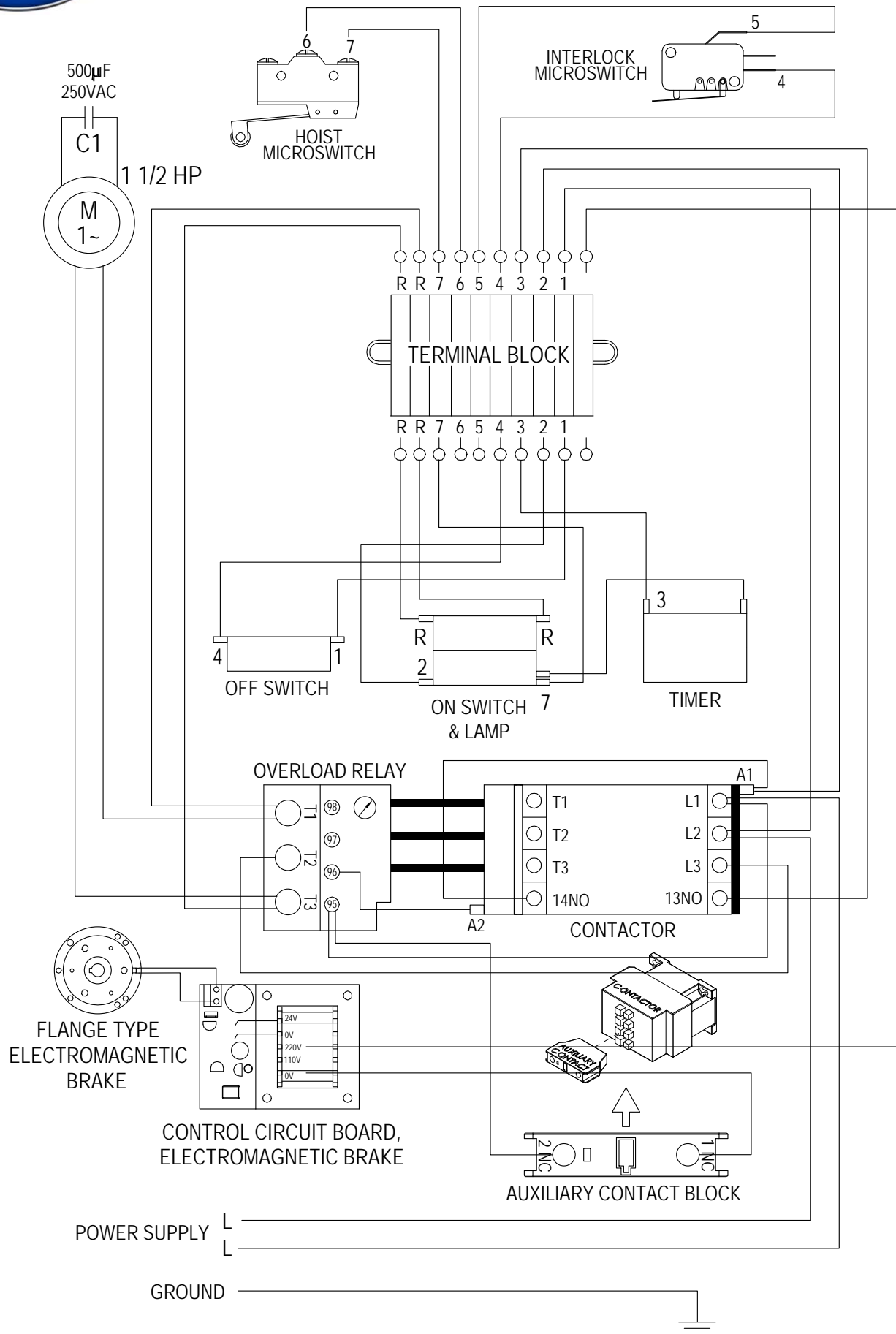


SPC30P Manual and Digital Timer

Item	Part Number	Description	Qty	Serial Number
1	X30005	Control Panel	1	
1A	X30204	Screw M4x10mm Truss Hd	6	
1B	X30009	Gasket, Control Panel	1	
2	X10050	Emergency Stop Button	1	
3	X30007	Start Button	1	
3A	X30007-1	Boot, Start/Stop Switch Button	2	
3B	X30007-1B	Light Bulb, Start Button	1	
4	X10137	Timer Assembly With Knob	1	
4A	X10137-1	Timer Knob	1	
5	X30013	Plate, Electronics Mounting	1	
6		Connecting Block Set	1	
6	X10029-2G	Connecting Block, Gray (2G)	7	
6	X10029-4R	Connecting Block, Orange (4R)	1	
6	X30012-EC	Connecting Block End Cap	1	
7	X30154P	Overload Relay Kit, 220/60/1	1	
8	X30153	Tube, Support	2	
8A		Washer M8 Flat	2	
8B	X30086	Cap Screw, Socket Hd	2	
9	X30085	Tube M8x108mm Support	2	
9A		Washer M8 Flat	2	
9B	X30010	Screw M8x88mm Hex Hd	2	
10	X00566	Switch, Membrane	1	
11	X01337	Aluminum Panel	1	
12	X00568	Control Board	1	
13	X30013	Plate, Electronics Mounting	1	
14		Connecting Block Set	1	
14	X10029-2G	Connecting Block, Gray (2G)	7	
14	X10029-4R	Connecting Block, Orange (4R)	1	
14	X10029-EC	Connecting Block End Cap	1	
15	X30154P	Overload Relay Kit, 220/60/1	1	
16	X00569	Control Transformer Assembly	1	
17	X00570	Control Transformer Fuse	1	
18	X30153	Tube, Support	2	
18A		Washer M8 Flat	2	
18B	X30086	Cap Screw, Socket Hd	2	
19	X30085	Tube M8x108mm Support	2	
19A		Washer M8 Flat	2	
19B	X30010	Screw M8x88mm Hex Hd	2	
20	X00675	4 Wire Harness With Connector	1	
21	X00676	Single Wire With Quick Connect	2	



SPC30P Wiring Diagram, 220V Single Phase





SPC30P Wiring Diagram, Single Phase, Digital Timer

