

Parts Catalog



SPC80PL

Mixer

Model: SPC80PL

03/29/2017 Rev-
IMPORTANT!

TO EXPEDITE SHIPMENT OF PARTS, ALWAYS SPECIFY MODEL, REV,
PART NUMBER, AND SERIAL NUMBER OF UNIT.

GLOBE FOOD EQUIPMENT COMPANY

2215 East River Road
Dayton, Ohio 45439

Parts Department

Toll Free 1-800-745-6238 · Fax (937) 290-0585

E-Mail: info@globefoodequip.com

Website: www.globefoodequip.com

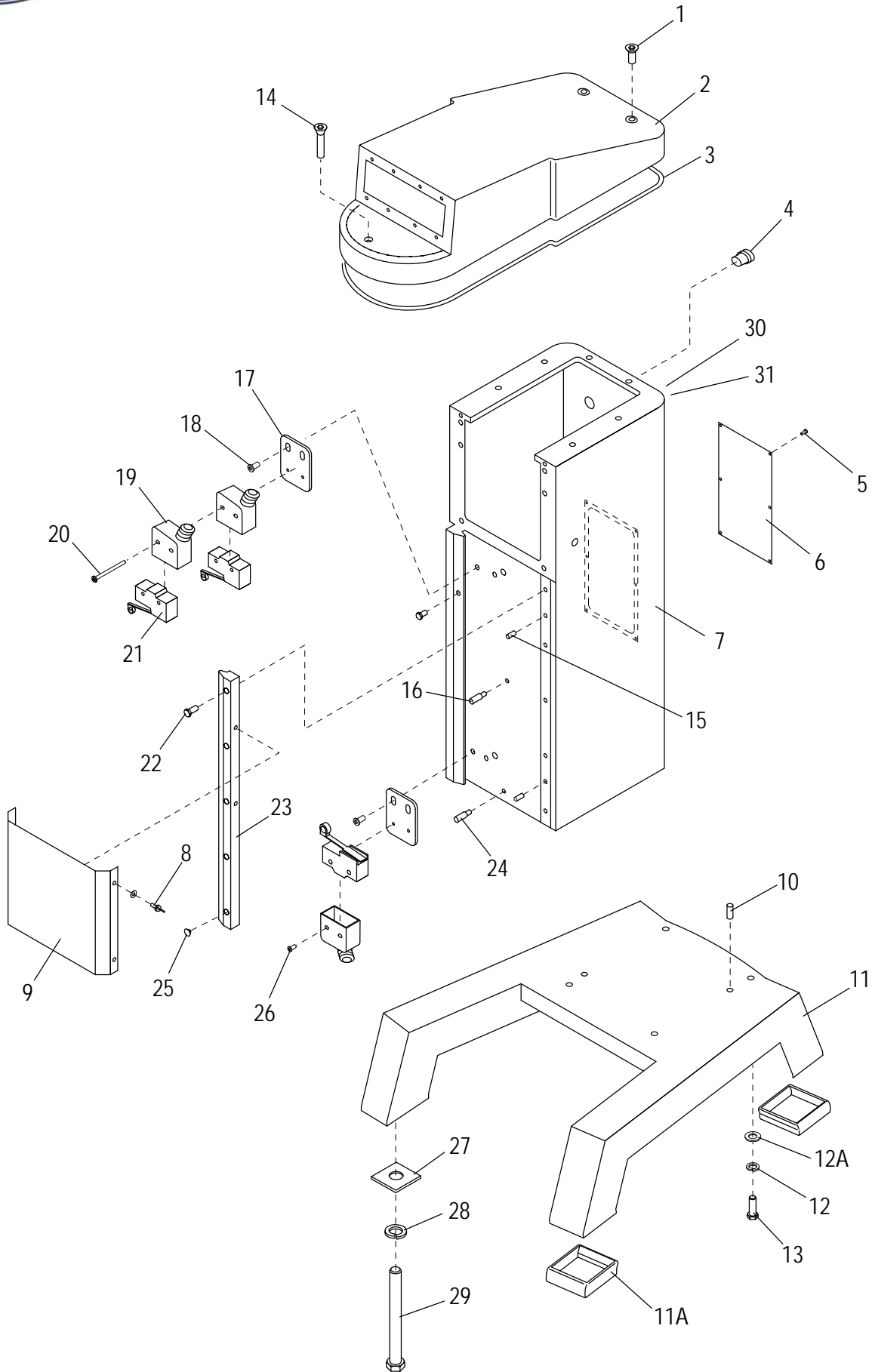
Not for resale

Table of Contents

Description	Page
SPC80PL Mixer Base	4
SPC80PL Head and Hub Assembly	6
SPC80PL Manual Lift Cradle Assembly	10
SPC80PL Power Lift Cradle Assembly	14
SPC80PL Gearbox Components	16
SPC80PL Gear Shift Assembly	18
SPC80PL Bowl Scraper Components	20
SPC80PL Planetary Components & Fixed Bowl Guard	22
SPC80PL Motor Components	24
SPC80PL Motor Brake Components	26
SPC80PL Manual Lift Controls	28
SPC80PL Power Lift Controls	30
SPC80PL Wiring Diagram, Manual Lift Mixer	32
SPC80PL Wiring Diagram, Power Lift Mixer	33
SPC80PL 3 PH 220V Power Lift Mixer Schematic	34
SPC80PL Wiring Diagram, Power Lift Mixer-Digital Control Panel	35



SPC80PL Mixer Base



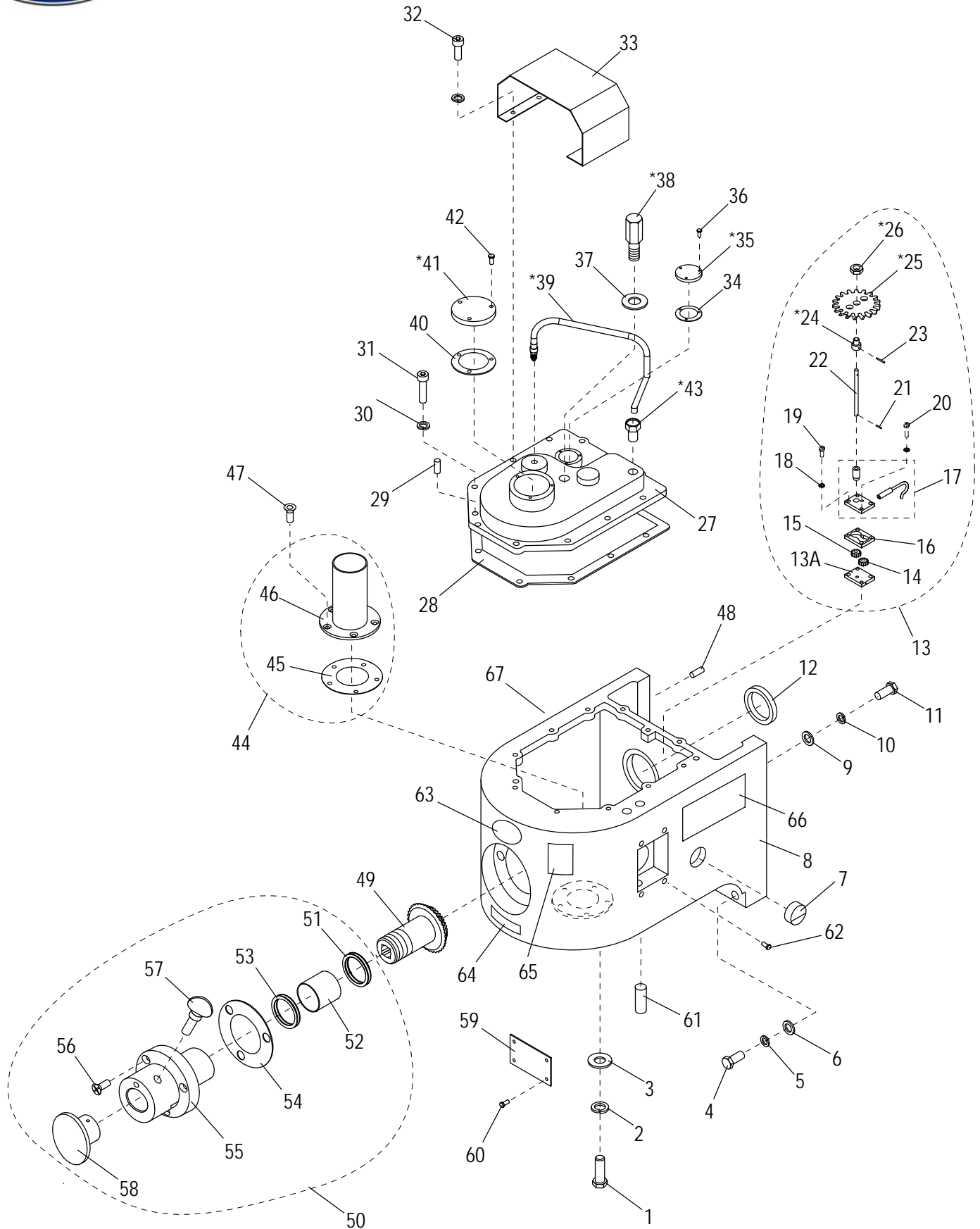


SPC80PL Mixer Base

Item	Part Number	Description	Qty	Serial Number
1	X80A01	Screw M8x85mm Flat Hd	2	
2	X80A02-DG	Cover, Transmission Case	1	
3	X80A03	Gasket	1	
4	X80A04	Strain Relief	1	
5	X80A05	Screw M5x12mm Truss Hd	6	
6	X80A06	Plate, Rear Column	1	
7		Mixer Column	1	
8	X80A08	Thumbscrew M5x12mm	4	
9	X80A09	Cover, Column Front	1	
10	X80A10	Dowel Pin Ø10x34mm	2	
11	X80A11	Mixer Base	1	
11	X80A11-DG	Mixer Base	1	7810290 ->
11A	X80A11-1	Rubber Feet Set (Front/Rear)	1	
12	X80A12	Washer M14 Split Lock	4	
12A	X80A12-1	Washer M14 Flat	4	
13	X80A13	Screw M14x50mm Hex Hd	4	
14	X80A01	Screw M8x85mm Flat Hd	1	
15	X80A15	Dowel Pin Ø10x33mm	2	
16	X80A16	Dowel Pin, Threaded	1	
17	X80A17	Plate Microswitch Mounting	2	
18	X80A18	Screw M5x12mm Truss Hd	4	
19	X80A19	Housing, Microswitch	3	
20	X80A20	Screw M4x45mm Hex Hd & Flat Washer	2	
21	X80A21-1	Microswitch, SPC Models	3	
22	X80A22	Screw M12x25mm Hex Hd & Flat Washer	5	
23	X80A23	Slide, Front Bowl, Right (Cast Iron)	1	
23	X80A23-1	Slide, Front Bowl, Left (Metal Sheet)	1	7810150 ->
24	X80A24	Dowel Pin, Threaded	1	
25		Plug, Plastic	5	
26	X80A37	Screw M4x25mm Pan Hd & Flat Washer	2	
27	X80A31	Washer M12 Shipping (Square)	4	
28		Washer M12 Split Lock	4	
29	X80A32	Bolt M12x100mm Shipping - Grade 10.9	4	
30	X91014	Label, Hazardous Voltage	1	
31	X91011	Label, Caution - 3 Phase	1	



SPC80PL Head and Hub Assembly



*Part configuration may vary.



SPC80PL Head and Hub Assembly

Item	Part Number	Description	Qty	Serial Number
1	X80B01	Screw M10x15mm Hex Hd	1	
2	X80B02	Washer M10 Split Lock	1	
3	X80B03	Washer M10 Flat	1	
4	X80B04	Screw M12x40mm Hex Hd	2	
5	X80B05	Washer M12 Split Lock	2	
6	X80B06	Washer M12 Flat	2	
7	X80B07	Gauge, Oil Level	1	
8	X80B08	Transmission Case	1	
9	X80B09	Washer M12 Flat	6	
10	X80B10	Washer M12 Split Lock	6	
11	X80B11	Screw M12x60mm Hex Hd	6	
12	X80B12	Oil Seal TC50x80x10	1	
13	X80B13-27	Oil Pump Assembly	1	
13A	X80B13	Plate, Oil Pump - Bottom	1	
14	X80B14	Gear, Oil Pump, Right (15T)	1	
15	X80B15	Gear, Oil Pump, Left (15T)	1	
16	X80B16	Gear Set Pump	1	
17	X80B17-19	Housing & Tube Assy	1	
17		Pump Outlet Bronze Pipe	1	
17		Pump Shaft Bushing	1	
18	X80B26	Washer M5 Split Lock	4	
19	X80B27	Screw M5x15mm Socket Hd	2	
20		Cap Screw M5x25mm Socket Hd	2	
21	X80B22	Roll Pin Ø2x10mm	1	
22	X80B21	Shaft, Oil Pump	1	
23	X80B20	Roll Pin Ø2x18mm	1	
24	X80B23	Conveying Gear Assembly (29T)	1	
25	X80B24	Conveying Gear (29T)	1	
26		Jam Nut M12	1	
27	X80B25	Cover, Transmission Case	1	
28	X80B40	Gasket, Transmission Cover	1	
29	X80B39	Dowel Pin, Threaded	2	
30	X30198	Washer M8 Split Lock	11	
31	X30197	Screw M8x24mm Hex Hd	9	
32	X30099	Screw M8x28mm Socket Hd	2	
33	X80B33	Top Cover	1	
34	X80B28	Gasket, Transmission Shaft Bearing Retainer	1	
35	X80B29	Bearing Retainer, Transmission Shaft	1	
36	X80B30	Screw M5x15mm Hex Hd	3	
37	X80B31	Washer M20 Flat	1	
38	X80B32	Oil Fill Plug (Screw M20x40mm Hex Hd)	1	
39	X00703	Hose Assembly	1	
39		Grease Fitting	1	
39		Hose Clamp	1	
40	X80B36	Gasket, Drive Shaft Bearing Retainer	1	
41	X80B35	Bearing Retainer, Drive Shaft	1	
42	X80B34	Screw M4x14mm Truss Hd	3	
43	X00704	Oil Fill Fitting	1	
44	X80B42-43	Oil Tube & Gasket Assembly	1	
45		Gasket, Lube Overflow Cylinder	1	
46		Lube Overflow Cylinder	1	
47	X80B41	Screw M6x15mm Flat Hd	5	
48	X80B56	Dowel Pin Ø10x20mm	2	



SPC80PL Head and Hub Assembly

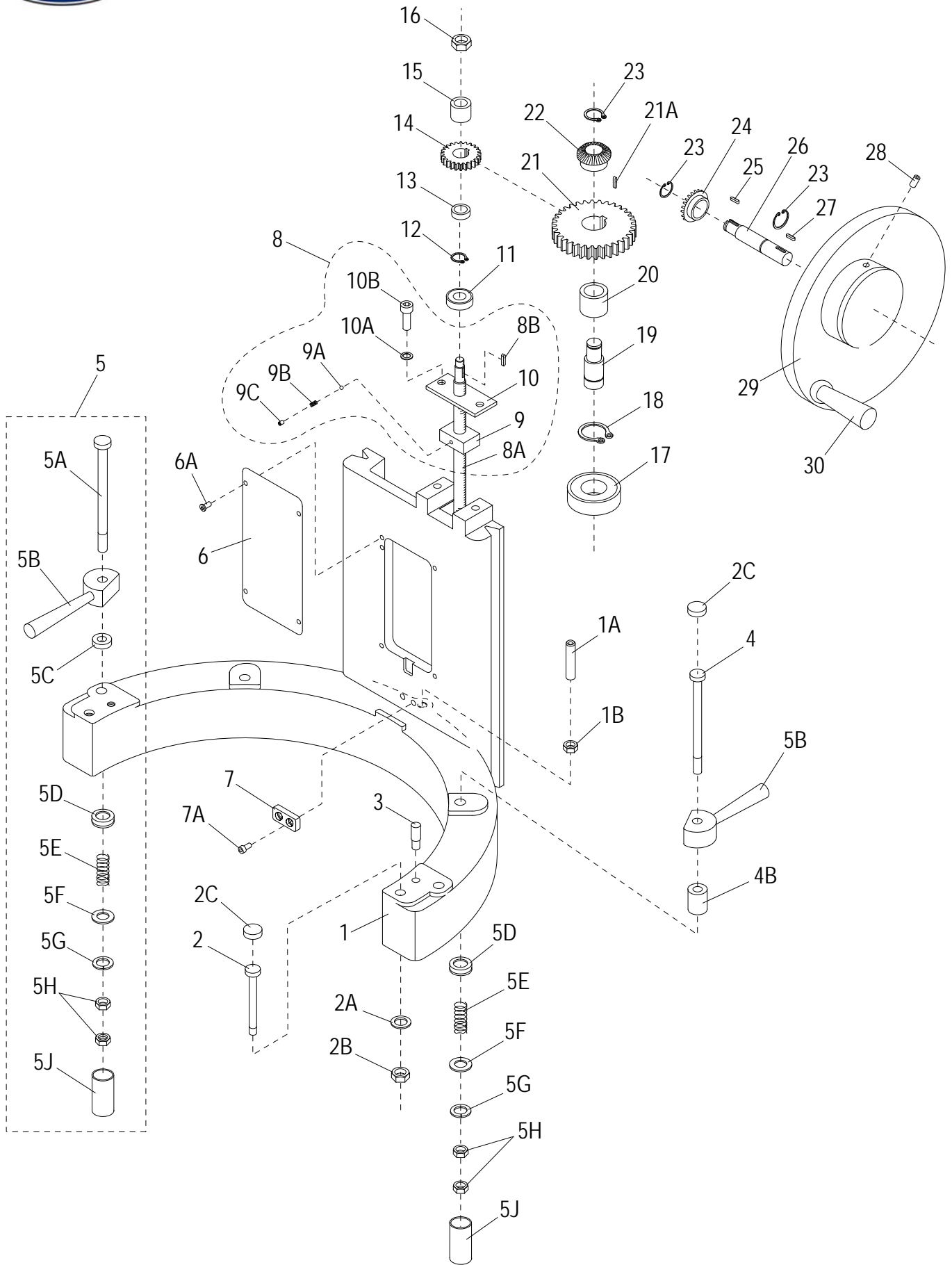
Item	Part Number	Description	Qty	Serial Number
49	X80B44	Level Drive Gear (16T)	1	
50	X80B45-52	Hub Attachment Assembly	1	
51	X80B45	Thrust Washer	As Required	1
52	X80B46	Sleeve, Square Drive	2	
53	X10089	Oil 45x35x8mm Seal	1	
54	X80B48	Gasket, Attachment Hub	1	
55	X80B50	Hub, Attachment	1	
55	X80B50-DG	Hub, Attachment	1	7810290 ->
56	X80B52	Screw M6X25mm Socket Hd	3	
57	X10005	Thumb Screw 1/2-13x3/4"	1	
58	X80B51	Hole Plug, Attachment	1	
59	X80B53	Cover Plate, Transmission	1	
60	X80B54	Screw M5x10mm Hex Hd	4	
61	X80B55	Dowel Pin	1	
62	X80E09	Screw M8x25mm Socket Hd	4	
63	871-3	Label, Globe Logo	1	
64	X91012	Label, Arrow	1	
65	X91010	Label, Stop To Chg Gears	1	
66	X91015	Label, Warning	1	
67	X91007-F	Label, Warning, French (Canada Only)	1	



INTENTIONALLY LEFT BLANK PAGE



SPC80PL Manual Lift Cradle Assembly





SPC80PL Manual Lift Cradle Assembly

Item	Part Number	Description	Qty	Serial Number
1	X80C12	Bowl Cradle	1	
1A		Set Screw M12x80mm Socket Hd - Cup Pt.	1	
1B		Nut M12 Hex	1	
2	X80C13	Bowl Locating Screw M10	2	
2A	X80C11	Washer M12 Split Lock	2	
2B	X80C10	Nut M12 Acorn	2	
2C		Screw Cover	4	
3	X80C14	Dowel Pin, Threaded	2	
4	X80C09	Screw, Bowl Clamp - Rear	2	
4B	X80C07	Bushing, Bronze - Rear Clamp	2	
5	X80C05	Bowl Clamp Assembly (Set/2)	2	
5A	X80C06	Bowl Clamp Screw	2	
5B	X80C05-1	Bowl Clamp (Set/2)	4	
5C	X80C04	Bronze Bushing, Front	2	
5D		Hardware Cap Retainer	4	
5E	X80C03	Spring	4	
5F	X80B09	Washer M12 Flat	4	
5G		Washer M12 Split Lock	4	
5H	X80C01	Nut M12 Jam	4	
5J		Hardware Cap	4	
6	X80C17	Front Cover, Bowl Cradle	1	
6A	X80C18	Screw M5x10mm Hex Hd	4	
7	X80C16	Locking Bracket	1	
7A	X80C15	Screw M8x35mm Socket Hd & Lock Washer	2	
8	X80C19-24	Bowl Raise Screw Assembly	0	
8A		Bowl Raise Screw	1	
8B	X80H55	Shaft Key 6x6x25mm	2	
9		Nut, Bowl Lift	1	
9A		Roller	1	
9B		Spring	1	
9C		Set Screw M6x5mm Socket Hd - Cup Pt.	1	
10		Nut Mounting Plate	1	
10A		Washer M10 Split Lock	1	
10B		Screw M10x20mm Socket Hd	2	
11	X80C25	Ball Bearing	1	
12	X80C26	Retaining Ring RTW40	1	
13	X80C27	Bronze Bushing, Lower	1	
14	X80C28	Oblique Gear (31T)	1	
15	X80C29	Bronze Bushing, Upper	1	
16		Nut M16 Hex	1	
17	X80C31	Ball Bearing	1	
18	X80C32	Retaining Ring STW-25	1	
19	X80C33	Drive Shaft	1	
20	X80C34	Oblique Shaft Sleeve	1	
21	X80C35	Oblique Gear (41T)	1	
21A	X80C36	Shaft Key 3x3x12mm	1	
22	X80C37	Gear, Male (23T)	1	
23	X80C38	Retaining Ring STW-19	3	
24	X80C40	Gear, Female (23T)	1	
25	X80C41	Shaft Key 5x5x18mm	1	
26	X80C42	Hand Wheel Shaft	1	
27	X80C44	Shaft Key 5x5x25mm	1	
28	X80C45	Set Screw M8x16mm Socket Head - Cup Pt	1	



SPC80PL Manual Lift Cradle Assembly

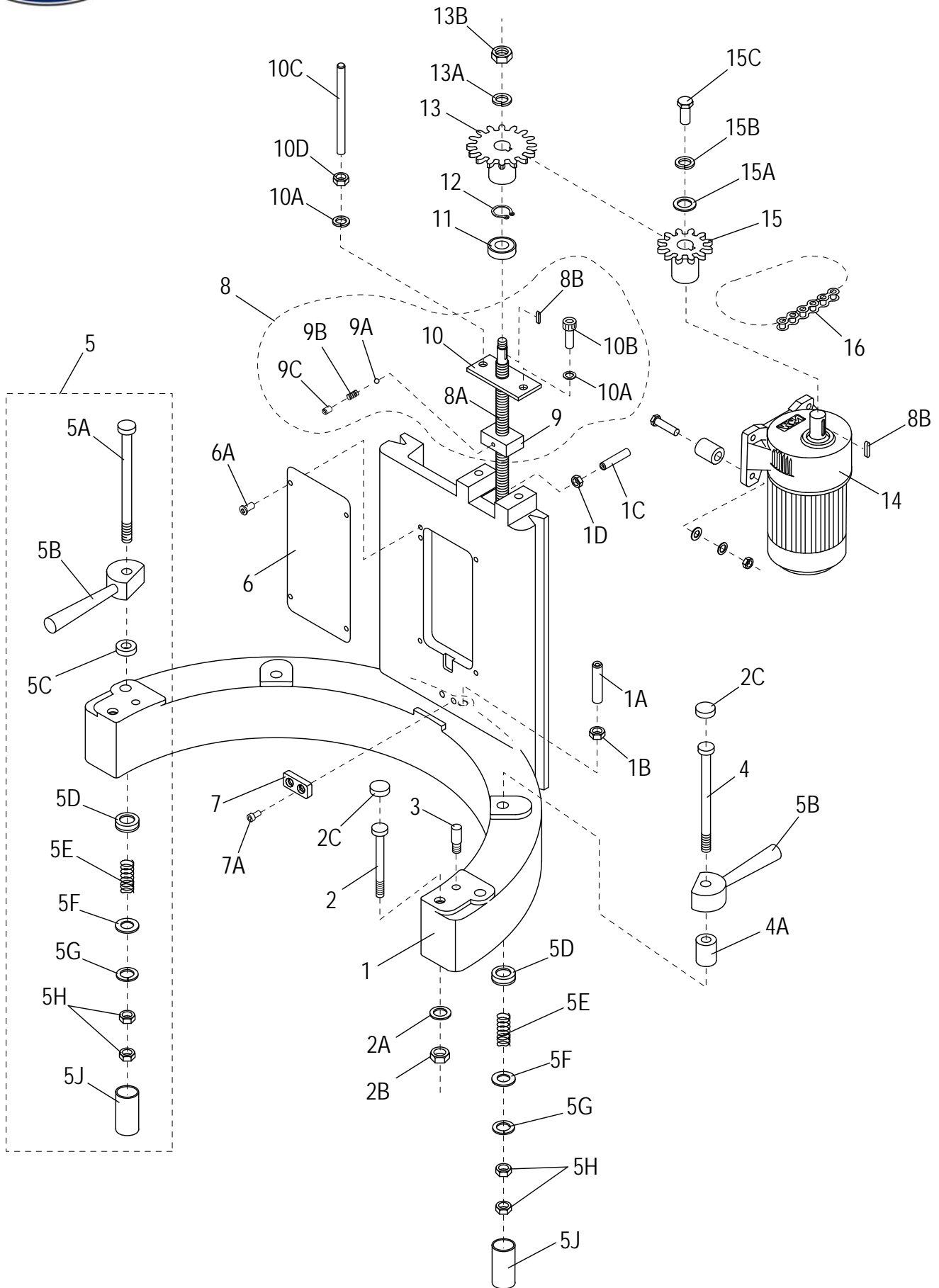
Item	Part Number	Description	Qty	Serial Number
29	X80C46	Hand Wheel	1	
30	X80C47	Handle	1	



INTENTIONALLY LEFT BLANK PAGE



SPC80PL Power Lift Cradle Assembly



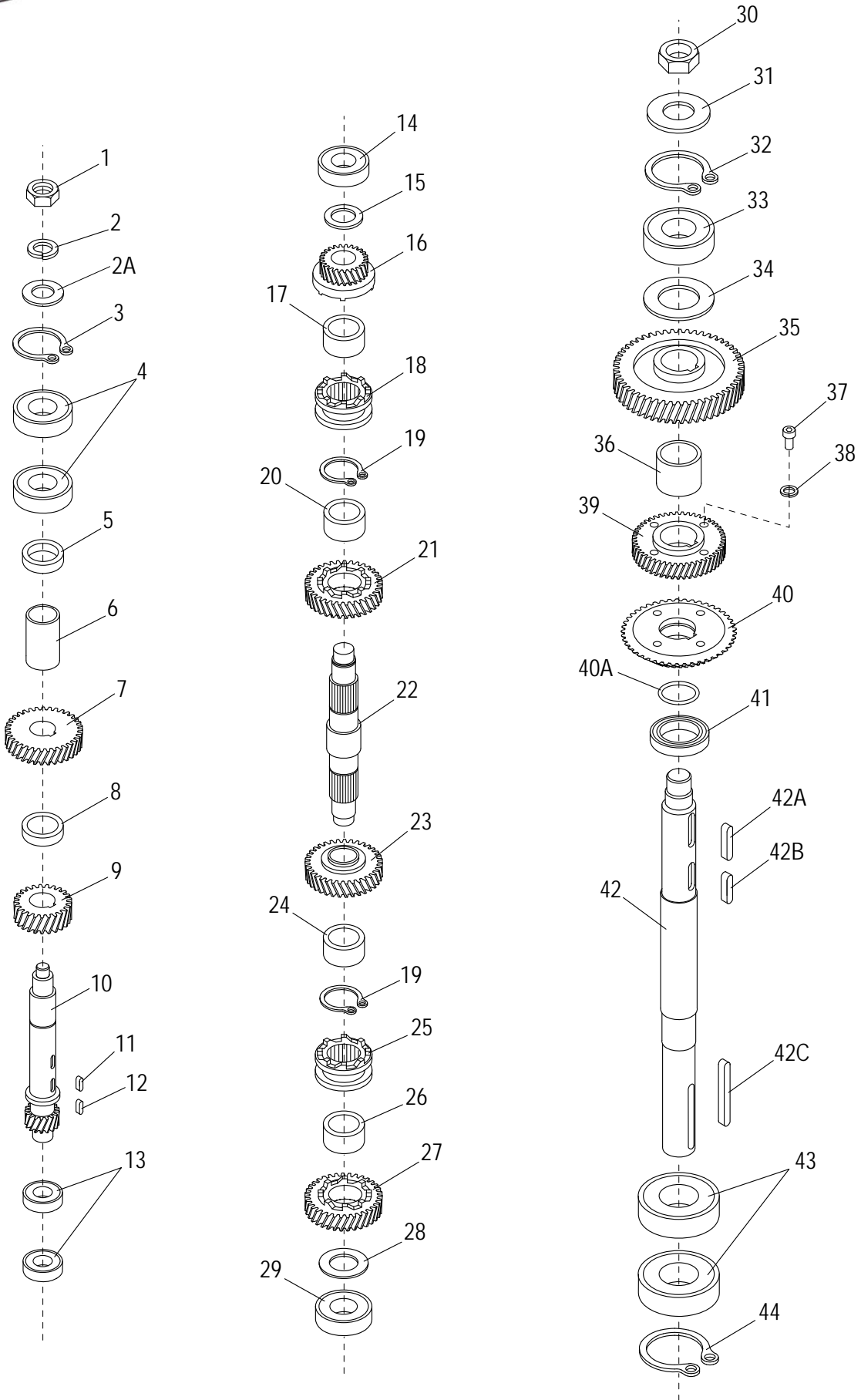


SPC80PL Power Lift Cradle Assembly

Item	Part Number	Description	Qty	Serial Number
1	X80C12	Bowl Cradle	1	
1A		Set Screw M12x80mm Socket Hd - Cup Pt.	1	
1B		Nut M12 Hex	1	
1C		Set Screw M6x40mm Socket Hd - Cup Pt	1	
1D		Nut M6 Hex	1	
2	X80C13	Bowl Locating Screw M10	2	
2A	X80C11	Washer M12 Split Lock	2	
2B	X80C10	Nut M12 Acorn	2	
2C		Screw Cover	4	
3	X80C14	Dowel Pin, Threaded	2	
4	X80C09	Screw, Bowl Clamp - Rear	2	
4A	X80C07	Bushing, Bronze - Rear Clamp	2	
5	X80C05	Bowl Clamp Assembly (Set/2)	1	
5A	X80C06	Bowl Clamp Screw	2	
5B	X80C05-1	Bowl Clamp (Set/2)	1	
5C	X80C04	Bronze Bushing, Front	2	
5D		Hardware Cap	4	
5E	X80C03	Spring	4	
5F	X80B09	Washer M12 Flat	4	
5G	X80C02	Washer M12 Split Lock	4	
5H	X80C01	Nut M12 Jam	4	
5J		Hardware Cap	4	
6	X80C17	Front Cover, Bowl Cradle	1	
6A	X80C18	Screw M5x10mm Hex Hd	4	
7	X80C16	Locking Bracket	1	
7A	X80C15	Screw M8x35mm Socket Hd & Lock Washer	2	
8	X80C19-24	Bowl Raise Screw Assembly	1	
8A		Bowl Raise Screw	1	
8B	X80H55	Shaft Key 6x6x25mm	2	
9		Nut Block	1	
9A		Roller Ball Ø5 SS	1	
9B		Spring	1	
9C		Set Screw M6x5mm Socket Hd - Cup Pt.	1	
10		Nut Mounting Plate	1	
10A		Washer M10 Split Lock	2	
10B		Screw M10x20mm Socket Hd	1	
10C		Rod M10x160mm Threaded	1	
10D		Nut M10 Hex	1	
11	X80C25	Ball Bearing	1	
12	X80C26	Retaining Ring RTW40	1	
13	X80H48	Chain Gear (16T)	1	
13A	X80H49	Washer M16 Split Lock	1	
13B	X80C30	Nut M16 Hex	1	
14	X00705	Motor, 1/8Hp 220V 50/60Hz 1Ph	1	->7810151
14	X80H56	Motor, 1/8Hp 220V 50/60Hz 3Ph	1	->7810151
14	XA-8038-1	Motor, Metal Plate, 220/380V/60Hz/1Ph	1	7810151 ->
14	XA-8038-3	Motor, Metal Plate, 220/380V/60Hz/3Ph	1	7810151 ->
15	X80H53	Chain Gear (11T)	1	
15A	X80H52	Washer M6 Flat	1	
15B	X80H51	Washer M6 Split Lock	1	
15C	X80H50	Screw M6x16mm Hex Hd	1	
16	X80H54	Drive Chain	1	



SPC80PL Gearbox Components



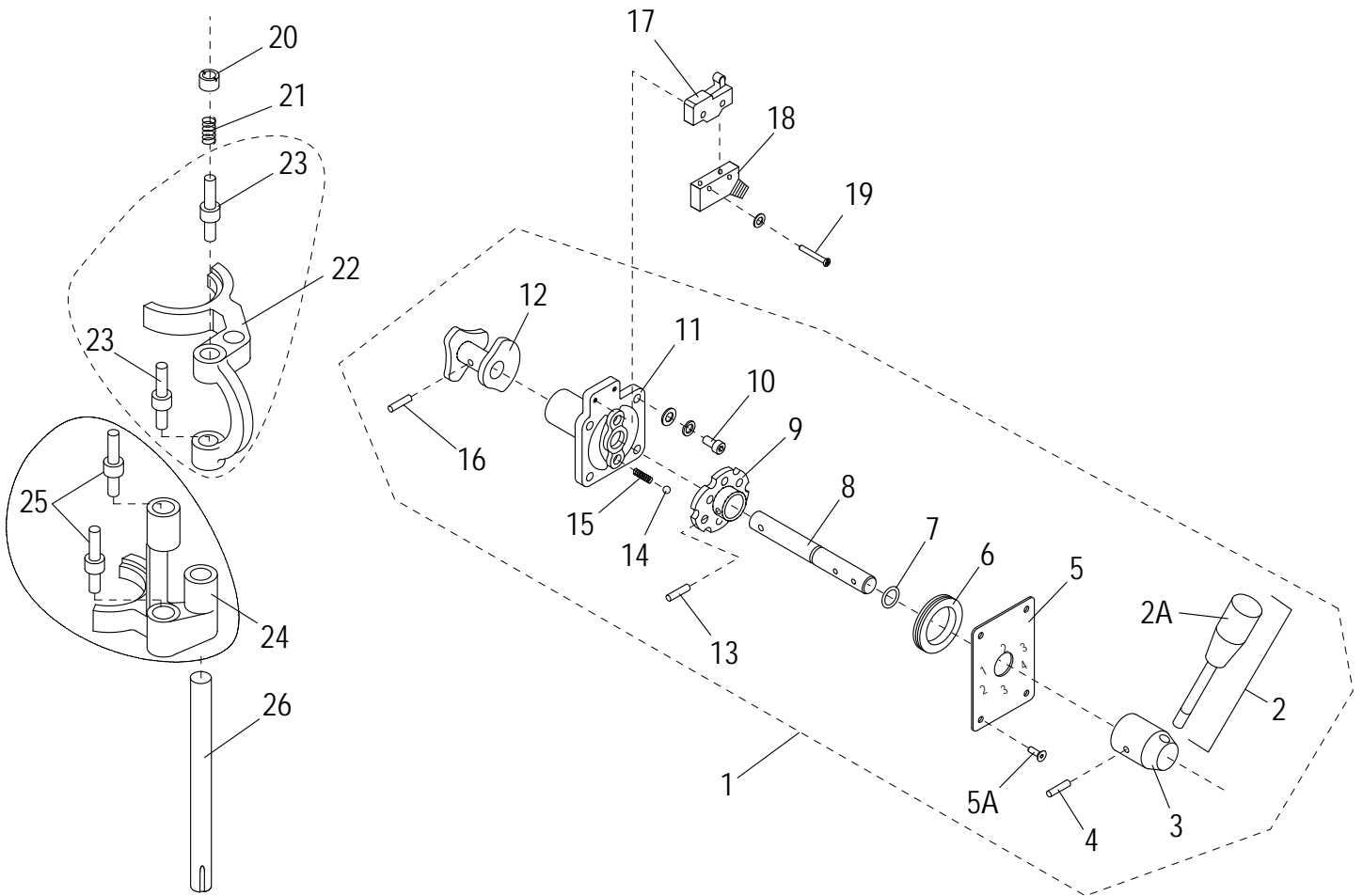


SPC80PL Gearbox Components

Item	Part Number	Description	Qty	Serial Number
1	X80D34	Nut M16 Jam	1	
2	X80D35	Washer M16 Split Lock	1	
3	X80D36	Retaining Ring RTW-47	1	
4	X80D37	Ball Bearing	2	
5	X80D38	Spacer	1	
6	X80D38-1	Sleeve	1	
7	X80D39G03-1	Gear & Drive Set 60Hz	220V	1
7	X80D39G03	Gear & Drive Set 50Hz	350V	1
8	X80D40	Bronze Bushing	1	
9	X80D41	Transmission Gear (25T)	1	
10	X80D42	Transmission Shaft (17T)	1	
11	X80D43	Shaft Key 6x6x18mm	1	
12	X80D44	Shaft Key 8x8x20mm	1	
13	X80D45	Ball Bearing	2	
14	X80D17	Ball Bearing	1	
15	X80D32	Spacer 29x40x3mm	1	
16	X80D19	Master Shaft Gear (17T)	1	
17	X80D20	Bronze Bushing	1	
18	X80D21	Clutch Sleeve	1	
19	X80D22	Retaining Ring STW-35	2	
20	X80D23	Bronze Bushing	1	
21	X80D24	Master Shaft Gear (33T)	1	
22	X80D25	Master Shaft	1	
23	X80D26	Master Shaft Gear (41T)	1	
24	X80D23	Bronze Bushing	1	
25	X80D21	Clutch Sleeve	1	
26	X80D30	Bronze Bushing	1	
27	X80D31	Master Shaft Gear (49T)	1	
28	X80D32	Spacer 29x40x3mm	1	
29	X80D33	Ball Bearing	1	
30	X80D16	Jam Nut M32	1	
31	X80D15	Washer M32 Flat	1	
32	X80D14	Retaining Ring RTW-72	1	
33	X30125	Ball Bearing	1	
34	X80D12	Drive Shaft Pad	1	
35	X80D11	Drive Shaft Gear (53T)	1	
36	X80D10	Bronze Bushing	1	
37	X80D09	Screw M8x28mm Socket Hd	4	
38	X80D08	Washer M8 Split Lock	4	
39	X80D07	Main Shaft Gear (35T)	1	
40	X80D06	Gear (41T)	1	
40A	X80D05	O-Ring 40mm x 50mm ID	Fits inside DIA X80D06	1
41	X80D02-2	Oil Seal	1	
42	X80D02	Drive Shaft	1	->7810173
42	X80D02-1	Drive Shaft	1	7810173 ->
42A	X80D04	Shaft Key 10x10x35mm	1	
42B	X80D03	Shaft Key 10x10x26mm	1	
42C	X80D01	Shaft Key 10x10x100mm	1	
43	X80D46	Ball Bearing	2	
44	X80D47	Retaining Ring RTW-75	1	



SPC80PL Gear Shift Assembly



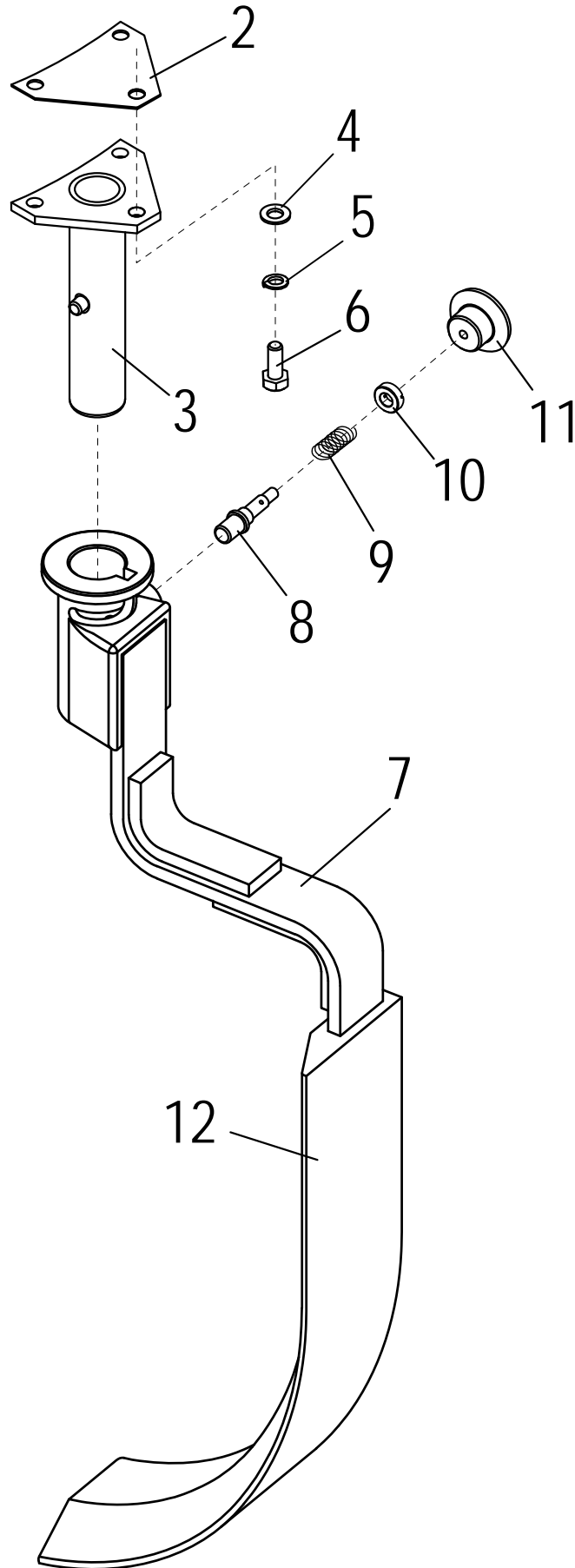


SPC80PL Gear Shift Assembly

Item	Part Number	Description	Qty	Serial Number
1	X80E01-15	Gear Shift Assembly	1	
2	X80E01	Gear Shift Arm Assy (With Knob)	1	
2A	X80E01-1	Knob, Gear Shift	1	
3	X80E02	Gear Shift Arm Hub	1	
4	X80E03	Roll Pin Ø6 x 38mm	1	
5	X80E04	1-4 Speed Indication Plate	1	
5A		Screw M5x14mm Flat Hd	4	
6	X80E05	Oil Seal	1	
7	X80E06	O-Ring P11	1	
8	X80E07	Shifter Guide Rod	1	
9	X80E08	Hub & Cam Assy	1	
10		Screw M8x25mm Socket Hd	4	
11	X80E10	Shaft Cover	1	
12	X80E11	Gear Shift Cam Assy	1	
13	X80E12	Roll Pin Ø5 X 26mm	1	
14	X80E13	Steel Ball Ø9mm	2	
15	X80E14	Spring	2	
16	X80E15	Roll Pin Ø6 x 20mm	1	
17	X80E16	Microswitch	1	
18	X80E17	Microswitch Cover	1	
19	X80E18	Screw M4x24mm Pan Hd & Flat Washer	2	
20	X80E19	Nut M20	4	
21	X80E20	Spring	4	
22	X80E22	Speed Shifter Yoke (Top)	1	
23	X80E21	Touch Shaft	2	
24	X80E23	Speed Shifter Yoke (Rear)	1	
25	X80E21	Touch Shaft	2	
26	X80E24	Shifter Guide Rod	1	



SPC80PL Bowl Scraper Components



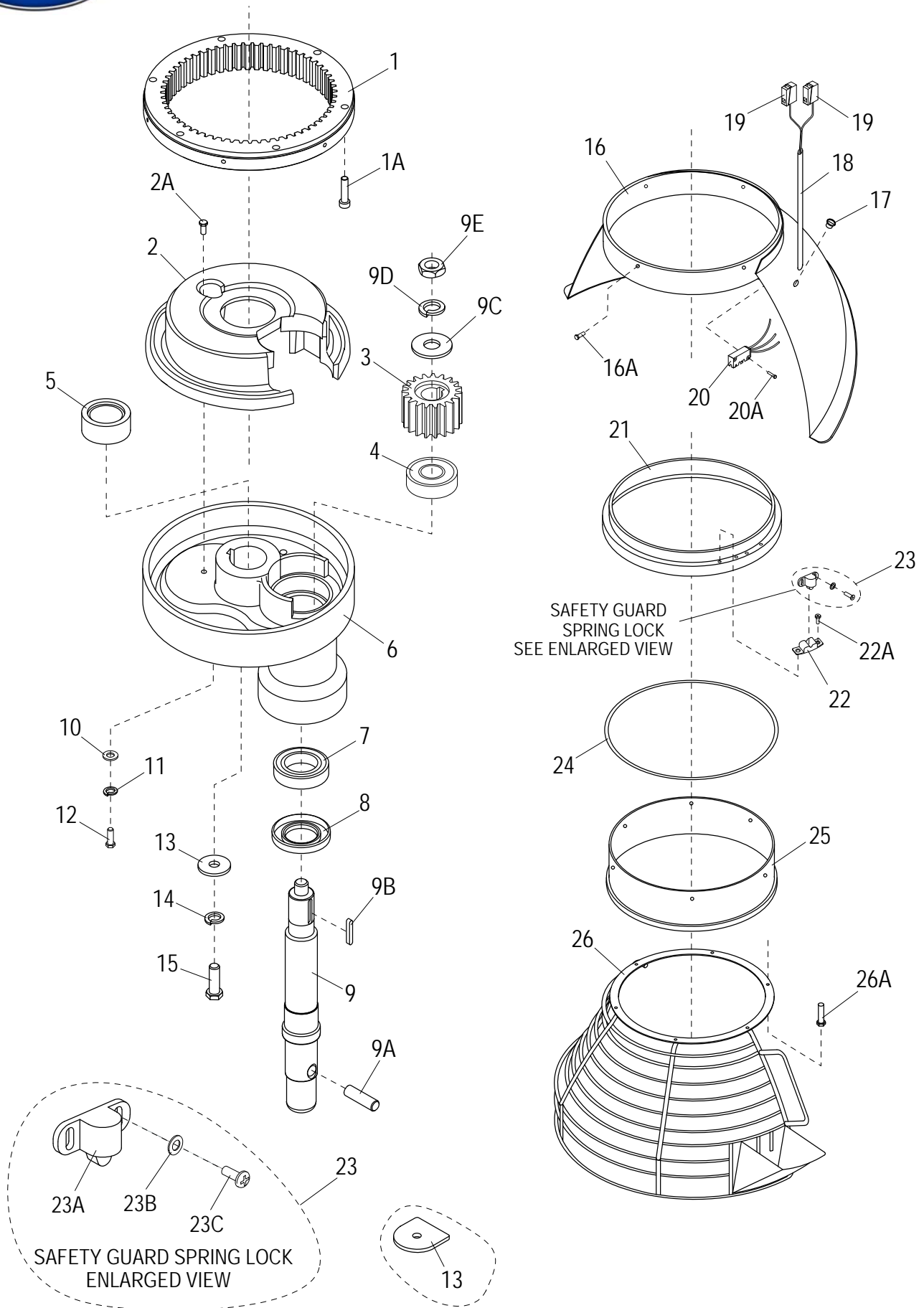


SPC80PL Bowl Scraper Components

Item	Part Number	Description	Qty	Serial Number
1	XXSCRP-80	Bowl Scraper Assembly	1	7810035 ->
2	X80519	Shaft Spacer	1	
3	X80J520	Scraper Hub	1	
4		Washer M8 Flat	3	
5		Washer M8 Split Lock	3	
6		Screw M8x20mm Hex Hd - SS	3	
7	X80521	Scraper Attachment Arm	1	
8	X80522	Pin	1	
9	X80523	Spring	1	
10	X80524	Spacer	1	
11	X80525	Knob	1	
12	X80526	Bowl Scraper	1	



SPC80PL Planetary Components & Fixed Bowl Guard



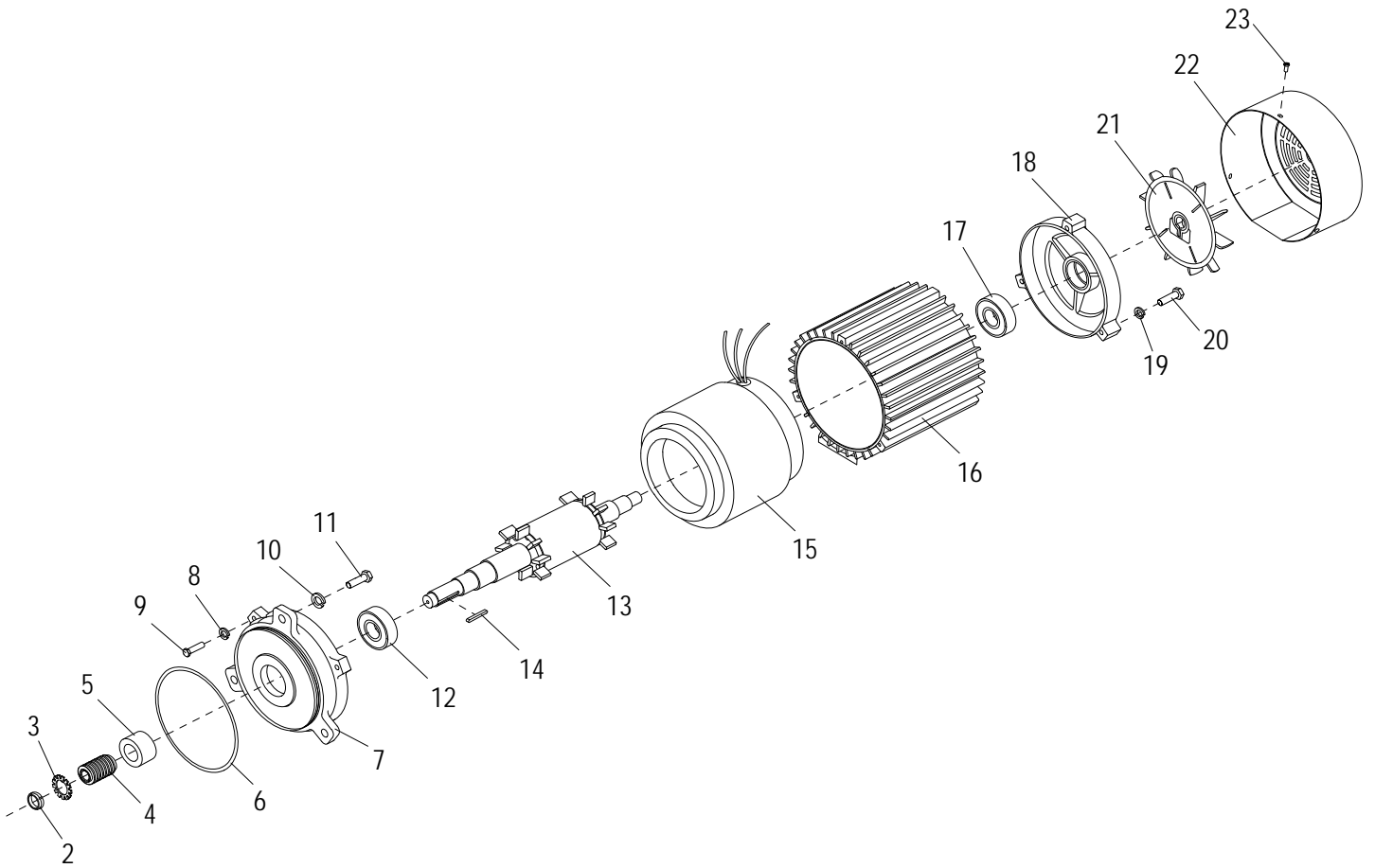


SPC80PL Planetary Components & Fixed Bowl Guard

Item	Part Number	Description	Qty	Serial Number
1	X80F01	Planetary Gear (59T)	1	
1A	X80F03	Screw M8x35mm Socket Hd	6	
2	X80F09-1	Oil Cover, Old Style	1	->8810005
2	X80F09-2	Oil Cover	1	8810006 ->
2A		Screw, Hex Hd	1	
3	X80F06	Pinion Gear (18T)	1	
4	X80F07	Ball Bearing	1	
5	X80F18	Guard Oil Bushing	1	
6	X62F09	Planetary Holder, Old Style	1	->8810006
6	X80F09-DG	Planetary Holder	1	8810007 ->
7	X80F10	Ball Bearing	1	
8	X80F11	Oil Seal 40x72x12	1	
9	X62F13	Planetary Shaft	1	->7810173
9	X80F13-1	Planetary Shaft	1	7810172 ->
9A	X80F14	Planetary Shaft Pin	1	
9B	X80F12	Shaft Key 6x6x35mm	1	
9C	X80F05	Washer M16 Flat	1	
9D	X80F04	Washer M16 Split Lock	1	
9E	X80F02	Nut M16 Jam	1	
10	X80F20	Washer M10 Flat	2	
11	X80F21	Washer M10 Split Lock	2	
12	X80F22	Screw M10x20mm Hex Hd - SS	2	
13	X80F23	Washer M8 Flat - Round	1	->7810173
13	X80F23-1	Washer M10 Flat - D Shape	1	7810172 ->
14	X80F24	Washer M8 Split Lock	1	->7810173
14	X80F24-1	Washer M10 Split Lock	1	7810172 ->
15	X80F25	Screw M8x25mm Hex Hd	1	->7810173
15	X80F25-1	Screw M10x25mm Hex Hd	1	7810172 ->
16	X80J32-33	Rear Guard, Fixed	1	
16A	X80F16	Screw M5x12mm Hex Hd - SS	6	
17	X80J34	Access Plug	2	
18	X80J31A1	Tube Wireway	1	
19	X80J31	Connector	2	
20	X80J35-2	Microswitch, Safety Interlock - SPC Models	1	
20A	X80J36	Screw M3x16mm Socket Hd	2	
21	X80J43-1	Slide Sheath	1	
22	X80J42	Safety Guard Spring Lock Fixture	1	
22A	X80J41	Screw M4x12mm Hex Hd - SS	2	
23	X80J39	Safety Guard Spring Lock W/Hardware	1	
23A		Safety Guard Spring Lock	1	
23B		Washer M3 Flat	1	
23C	X10134B	Screw M3x8mm Round Hd	2	
24	X80J44	Gasket	1	
25	X80J45	Cover, Internal Planetary Gear	1	
26	X80J46/48	Front Interlocking Guard Assy	1	
26A	X80J47	Screw M5x12mm Hex Hd - SS	8	



SPC80PL Motor Components



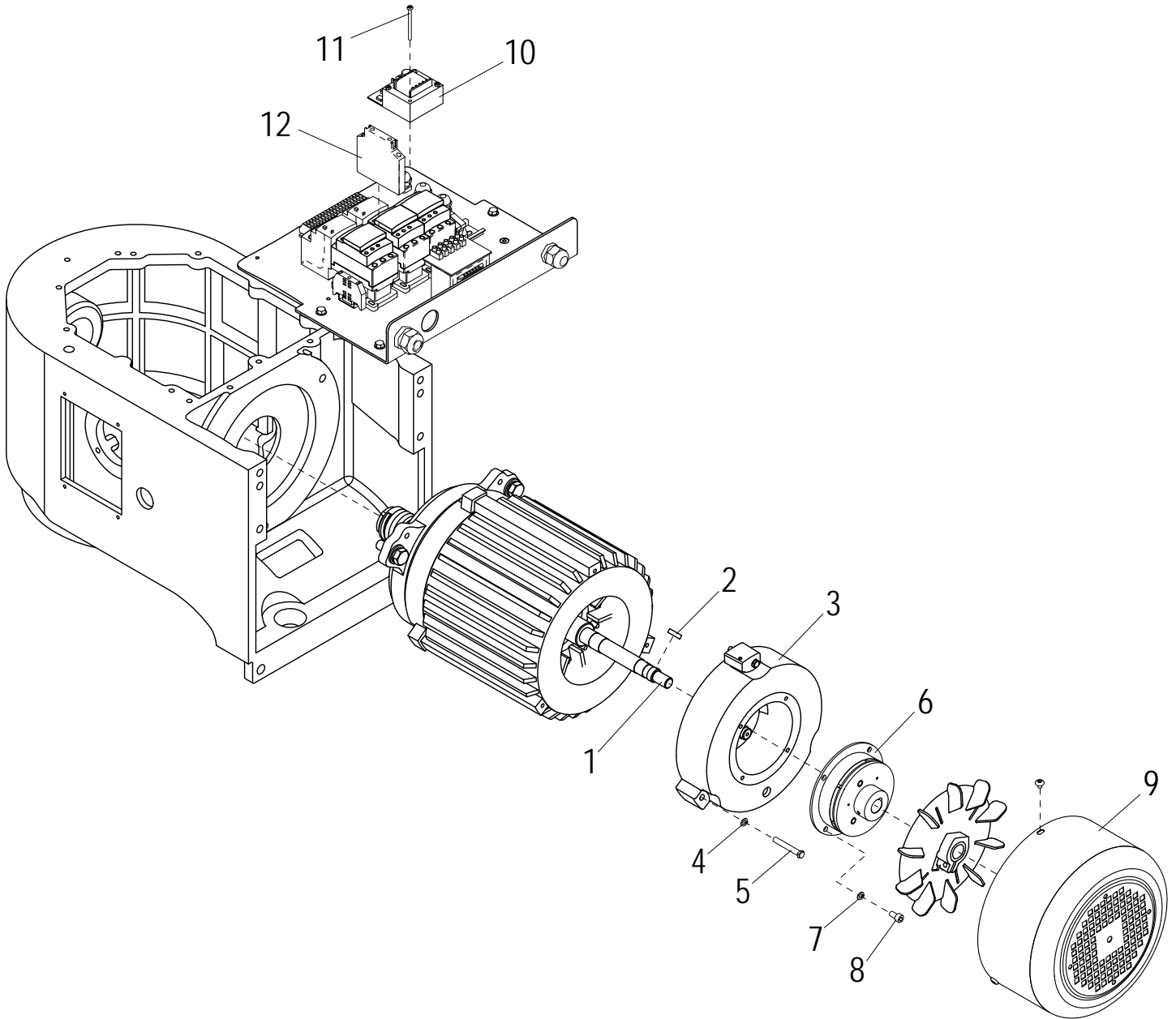


SPC80PL Motor Components

Item	Part Number	Description	Qty	Serial Number
1	X80G24C	Motor Assembly W/Brake, 3Hp 220V	1	
1	X80G1-23C	Motor Assembly W/Brake, 3Hp 380V	1	
2	X80G01	Nut M25 Bearing	1	
3	X80G02	Washer M25 External Tooth	1	
4	X80D39G03	Gear & Drive Set 50Hz	1	
4	X80D39G03-1	Gear & Drive Set 60Hz	1	
5	X80G04	Bronze Bushing (Spacer)	1	
6	X80G05	O-Ring P73x3	1	
7		Motor Front Cover	1	
8	X80G07	Washer M6 Split Lock	6	
9	X80G06	Screw M6x30mm Hex Hd	6	
10		Washer M12 Split Lock	3	
11		Screw M12x40mm Hex Hd	3	
12		Washer	1	
12	X40125	Ball Bearing	1	
13		Motor Shaft	1	
14	X25125	Shaft Key 6x6x45mm	1	
15		Motor Coil	1	
16		Motor Body	1	
17	X10012	Ball Bearing	1	
18		Rear Motor Cover	1	
19	X80G07	Washer M6 Split Lock	3	
20	X80G06	Screw M6x30mm Hex Hd	3	
21		Fan	1	
22		Fan Cover	1	
23		Screw M5x12mm Pan Hd	1	



SPC80PL Motor Brake Components



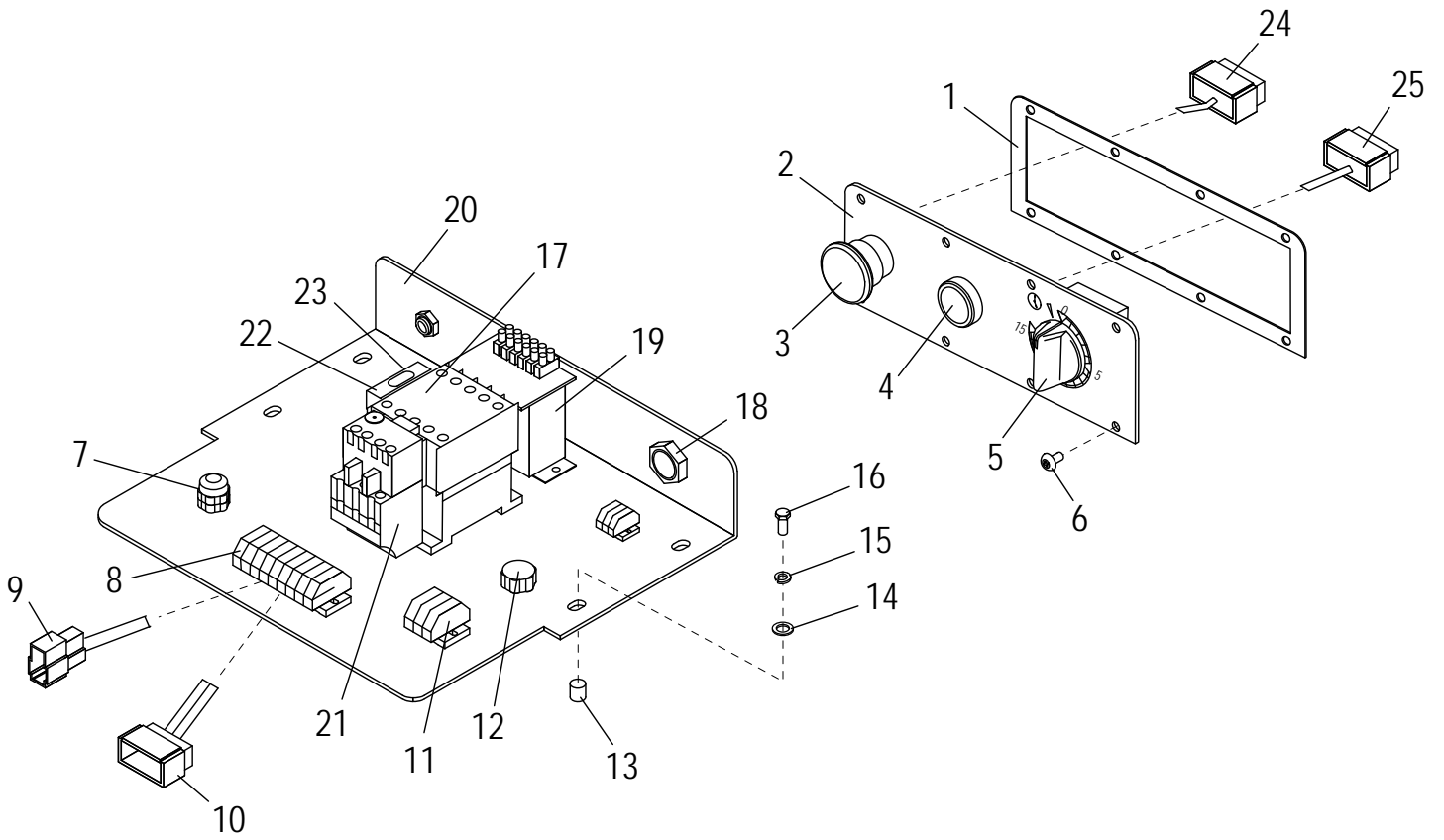


SPC80PL Motor Brake Components

Item	Part Number	Description	Qty	Serial Number
1		Motor Shaft <small>Incl. w/X80G24C & X80G1-23C</small>	1	
2		Shaft Key 5x5x17mm	1	
3	X80G18-1	Motor Cover, Extended	1	
4		Washer 1/4" Split Lock	3	
5		Screw 1/4-20 x 1-1/8" Hex Hd	3	
6	X80G27	Motor Brake, Magnetic	1	
7		Washer M6 Split Lock	4	
8		Screw M6x14mm Hex Hd	4	
9	X80G20-1	Fan Cover, Extended	1	
10	X80J11-1	Electronic Board, 220V/380V	1	
11		Screw M3x34mm Round Hd	2	
12		Auxiliary Contact Block	1	



SPC80PL Manual Lift Controls



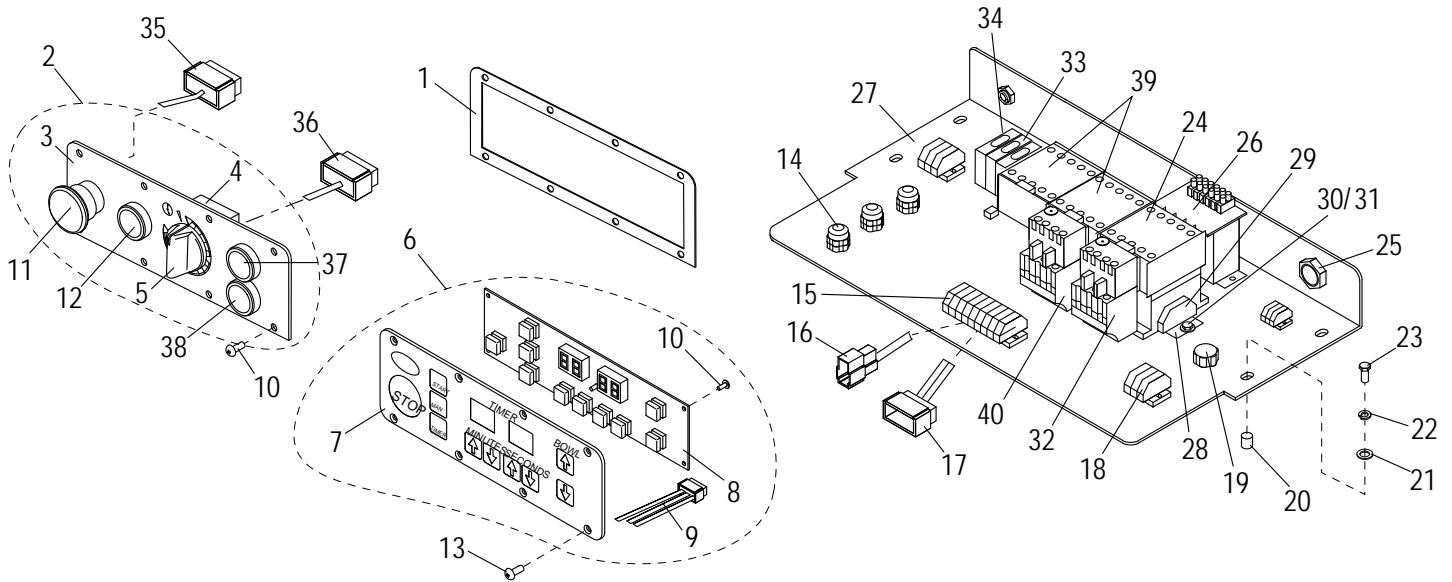


SPC80PL Manual Lift Controls

Item	Part Number	Description	Qty	Serial Number
1	X80J01	Gasket	1	
2	X80J02	Control Panel	1	
3	X80J03	Stop Button	1	
4	X80J04	Start Button	1	
5	X10137	Timer Assembly With Knob	1	
5	X101037-1	Timer Knob	1	
6	X80J06	Screw M4x10mm Truss Hd	8	
7	X80J07	Support Tube	4	
8	X80J08	Connecting Block	1	
9	X80J09	Connector	1	
10	X80J10	Connector	1	
11	X80J11	Terminal Block	3	
12	X80J12	Support Tube	1	
13	X80J13	Socket	4	
14	X80J14	Washer M6 Flat	4	
15	X80J15	Washer M6 Split Lock	4	
16	X80J16	Screw M6x20mm Hex Hd	4	
17	X80J17	Contactactor, 24V	1	
18	X80J18	Support Tube	1	
19	X80J19	Transformer, 24V (220V Mixer)	1	
19	9070T50D19	Transformer, 24V (380V Mixer) <small>380V Square D transformer.</small>	1	
20	X80J20	Electronics Mtg Plate	1	
21	X80J21	Overload Relay	1	
22	X80J22	Fuse	2	
23	X80J23	Fuse Fixture	3	
24	X80J24	Connector	1	
25	X80J25	Connector	1	



SPC80PL Power Lift Controls



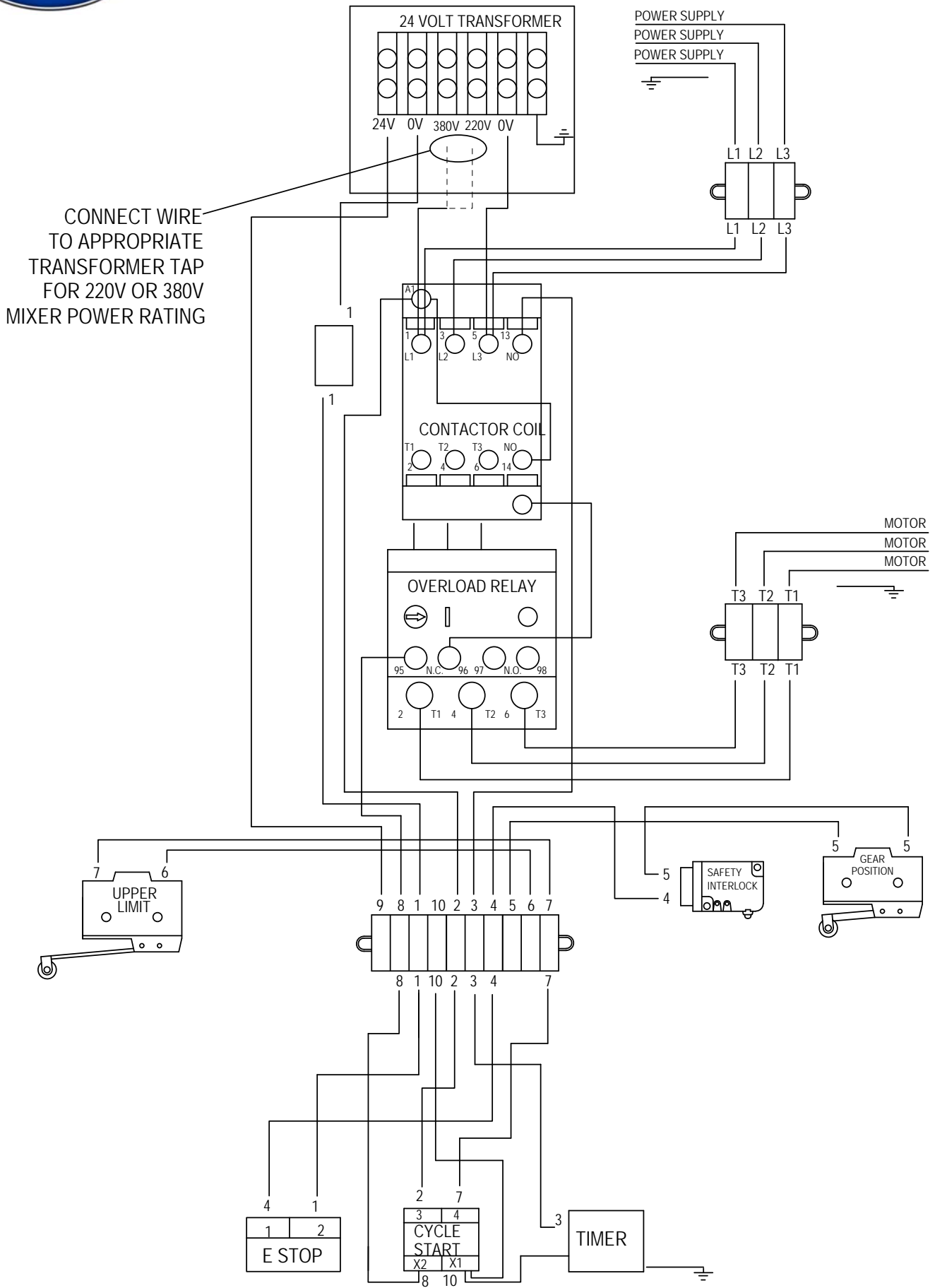


SPC80PL Power Lift Controls

Item	Part Number	Description	Qty	Serial Number
1	X80J01	Gasket	1	
2	X80J49	Faceplate And Timer Assembly	1	
3	X80J02	Control Panel	1	
4	X10137	Timer Assembly With Knob	1	
5	X10137-1	Timer Knob	1	
6	X80J02-1	Control Panel, Digital - Upgrade Kit	1	
7		Control Panel, Digital	1	
8	X00679	Circuit Board	1	
9		Wiring	1	
10		Screw M3 x 10mm Circuit Board Mounting	5	
11	X80J03	Stop Button	1	
12	X80J04	Start Button	1	
13	X30204	Screw M4x10mm Truss Hd	8	
14	X80J07	Support Tube	4	
15	X80J08	Connecting Block	1	
16	X80J09	Connector	1	
17	X80J10	Connector	1	
18	X80J11	Terminal Block	3	
19	X80J12	Support Tube	1	
20	X80J13	Socket	4	
21	X80J14	Washer M6 Flat	4	
22	X80J15	Washer M6 Split Lock	4	
23	X80J16	Screw M6x20mm Hex Hd	4	
24	X80J17	Contactora, 24V	1	
25	X80J18	Support Tube	1	
26	X80J19	Transformer, 24V (220V Mixer)	1	
26	9070T50D19	Transformer, 24V (380V Mixer)	1	*380V Square D transformer.
27	X80J20	Electronics Mtg Plate	1	
28		Contactora Mounting Plate	1	
29		Contactora Locking Caps	2	
30		Screw M3x16mm Round Hd	2	
31		Washer M3 Flat	2	
32	X80J21	Overload Relay	1	
33	X80J22A	Fuse, 250V 500Ma	2	
33	X80J22B	Fuse, 250V 1A	1	
34	X80J23	Fuse Fixture	3	
35	X80J24	Connector	1	
36	X80J25	Connector	1	
37	X80J26	Bowl Raise/Lower Button	1	
38	X80J26	Bowl Raise/Lower Button	1	
39	X00680	Bowl Raise/Lower Contactora, 24V	2	
40	X80J30	Bowl Lift Motor Overload Relay	1	

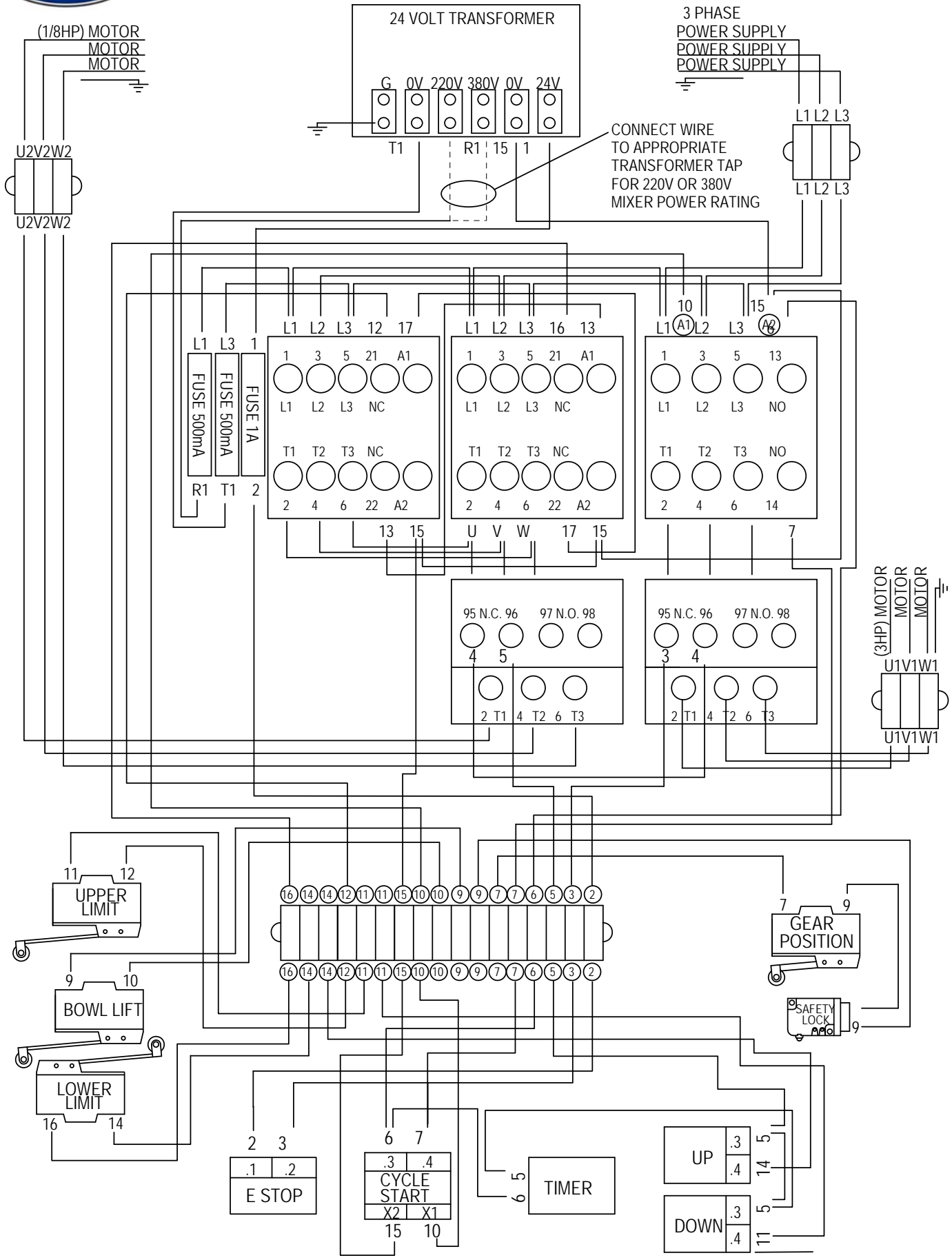


SPC80PL Wiring Diagram, Manual Lift Mixer



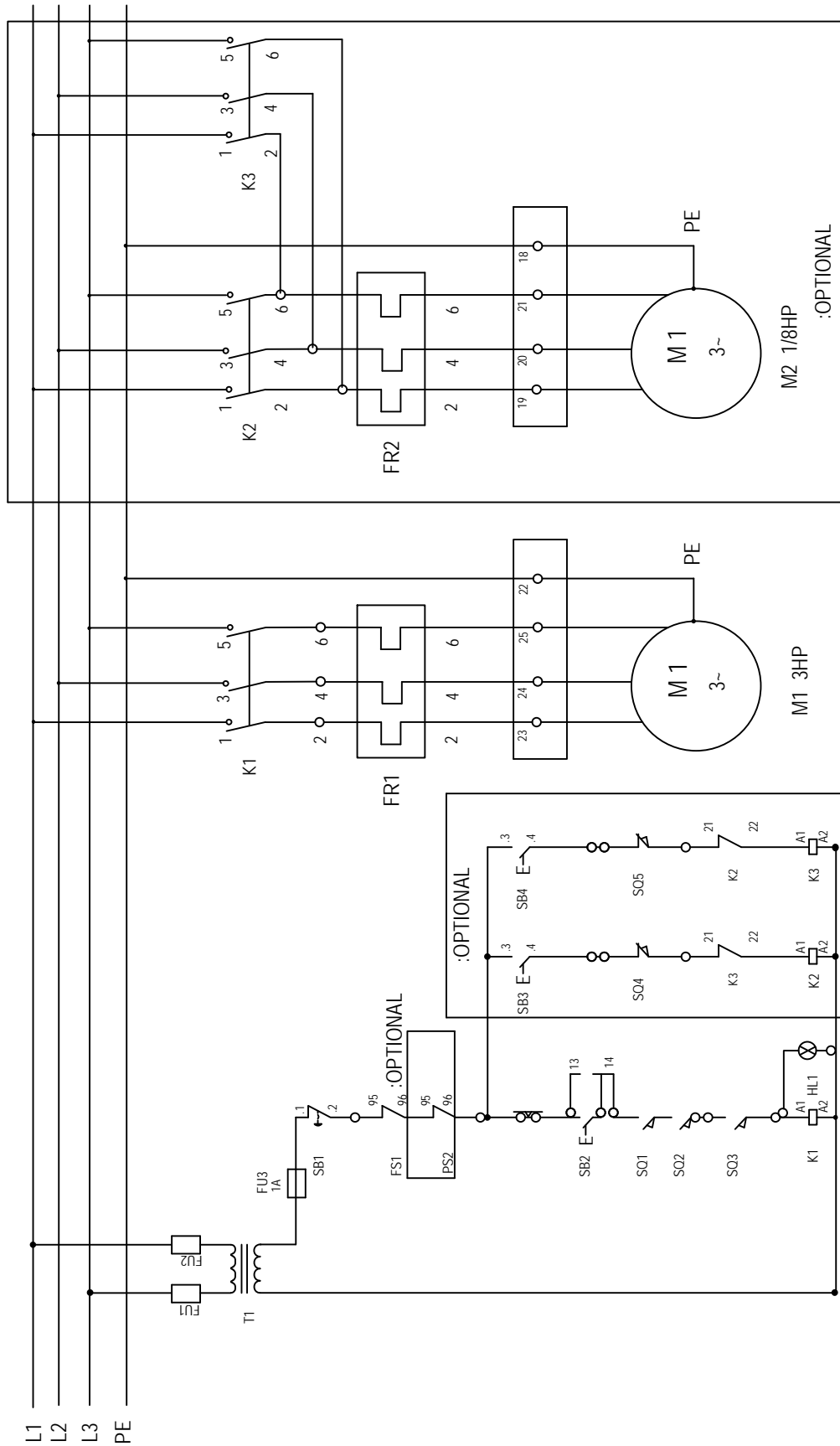


SPC80PL Wiring Diagram, Power Lift Mixer





SPC80PL 3 PH 220V Power Lift Mixer Schematic



SB3	RAISE BUTTON
SB4	LOWER BUTTON
M2	MOTOR, 1/8HP, 3PH, 220V OR 380V
K2	RAISE CONTACTOR COIL, 24VAC
K3	LOWER CONTACTOR COIL, 24VAC
FS2	OVERLOAD RELAY
T1	TRANSFORMER, 24VAC

M1	MOTOR, 3HP, 3PH, 220V OR 380V
KT1	TIMER
SQ1	MICROSWITCH (TRANSMISSION GEAR)
SQ2	MICROSWITCH (INTERLOCK GUARD)
SQ3	MICROSWITCH (BOWL LIFT SAFETY)
SQ4	MICROSWITCH (BOWL LIFT UPPER LIMIT)
SQ5	MICROSWITCH (BOWL LIFT LOWER LIMIT)

FU4	FUSE FIXTURE + FUSE 1A (5 X 20)
FU5	FUSE FIXTURE + FUSE 1A (5 X 20)
FU6	FUSE FIXTURE + FUSE 1A (5 X 20)
SB1	EMERGENCY STOP BUTTON
SB2	START BUTTON
K1	CONTACT COIL 24VAC
FS1	OVERLOAD RELAY



SPC80PL Wiring Diagram, Power Lift Mixer-Digital Control Panel

TRANSFORMER WIRING
MAY VARY IN COMPLIANCE
WITH MIXER POWER RATING
(220V OR 380V)

