

Parts Catalog



GFF35G_PG

Gas Cooking Equipment Floor Fryer

Model: GFF35G_PG

2/03/2017 Rev-
IMPORTANT!

TO EXPEDITE SHIPMENT OF PARTS, ALWAYS SPECIFY MODEL, REV,
PART NUMBER, AND SERIAL NUMBER OF UNIT.

GLOBE FOOD EQUIPMENT COMPANY

2215 East River Road
Dayton, Ohio 45439

Parts Department

Toll Free 1-800-745-6238 · Fax (937) 290-0585

E-Mail: info@globefoodequip.com

Website: www.globefoodequip.com

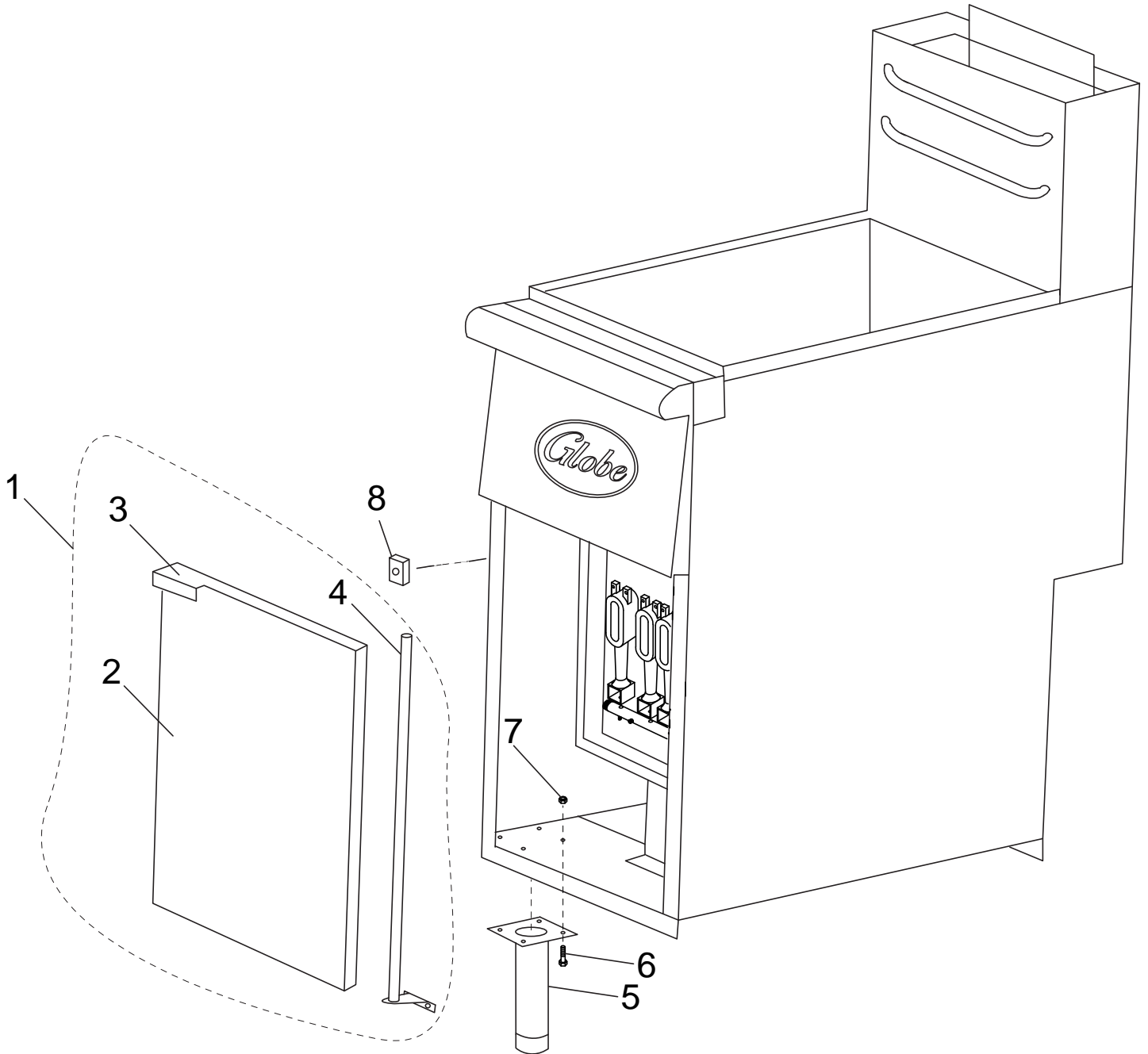
Not for resale

Table of Contents

Description	Page
GFF35G_PG Fryer Components	4
GFF35G_PG Tank Components	6
GFF35G_PG Gas Components	8
GFF35G_PG Wiring Diagram	10
GFF35G_PG Orifice Elevation Chart	11



GFF35G_PG Fryer Components



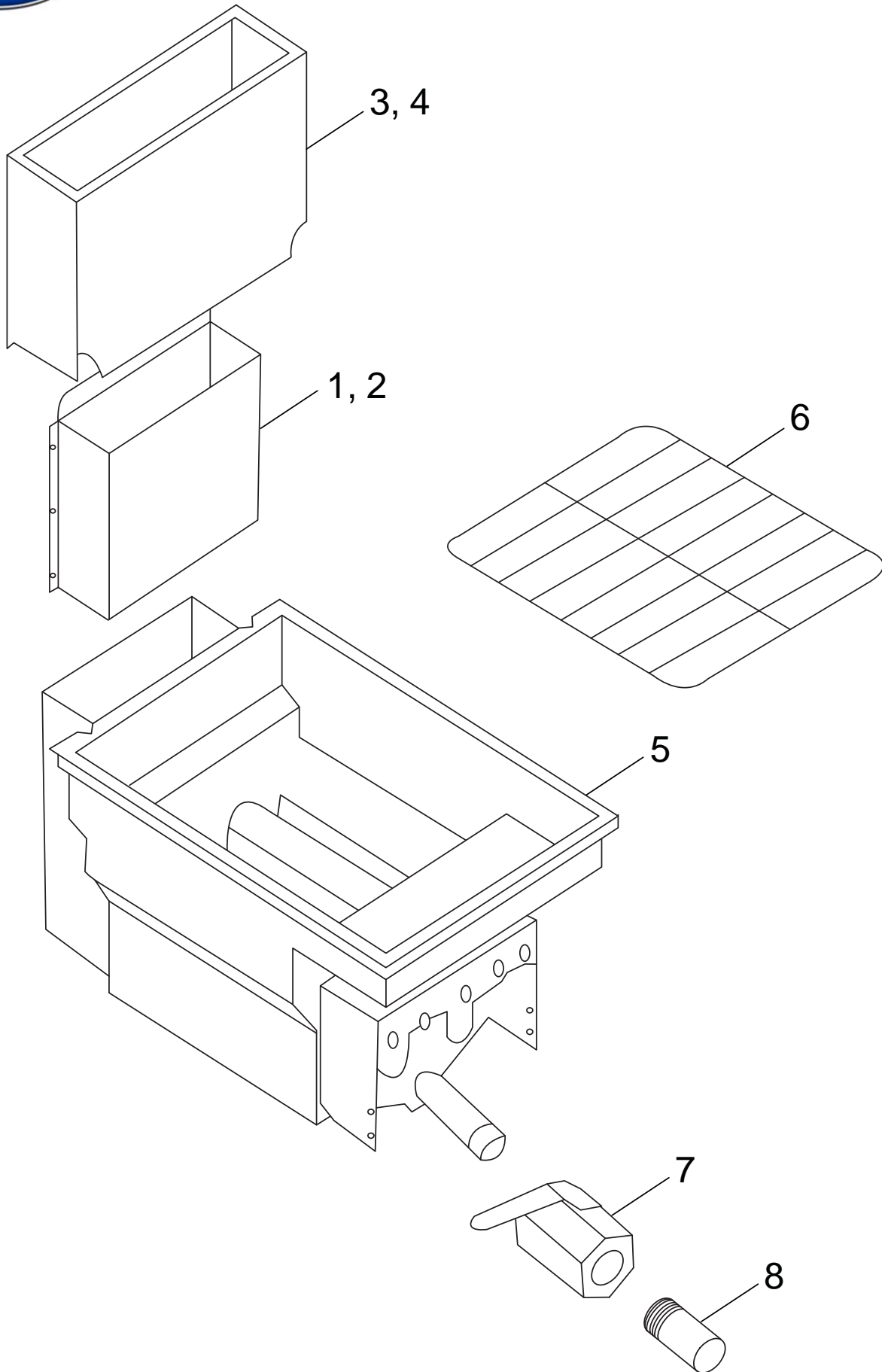


GFF35G_PG Fryer Components

Item	Part Number	Description	Qty	Serial Number
1	K00784	Door Assembly	1	
2		Door	1	
3		Handle, Door	1	
4		Rod and Hinge, Door	1	
5	K00810	Leg Kit (set of 4) includes hardware	1	
6		Bolt 1/4 - 20 x 3/4	16	
7		Nut 1/4 - 20 x 3/4	16	
8	K00786	Door Magnet	1	



GFF35G_PG Tank Components



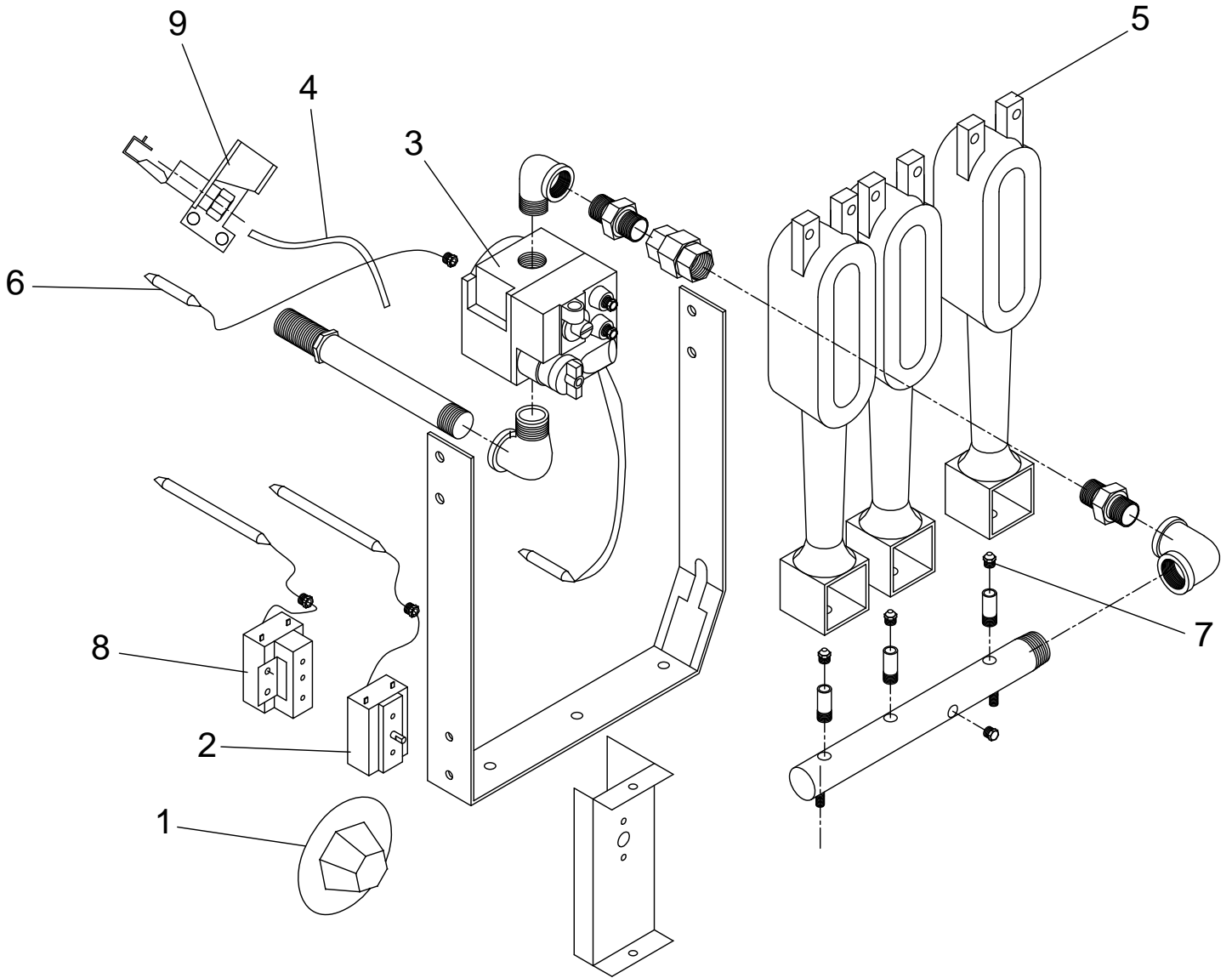


GFF35G_PG Tank Components

Item	Part Number	Description	Qty	Serial Number
1	K00805	Flue Top	1	
2	H01556	Screw M4 x 10 mm Self Tapping (Not Shown)	2	
3	K00808	Flue Wrap	1	
4	H01556	Screw M4 x 10 mm Self Tapping (Not Shown)	6	
5		Tank	1	
6	K00789	Screen	1	
7	K00803	Valve, Ball	1	
8	K00804	Drain Extension	1	



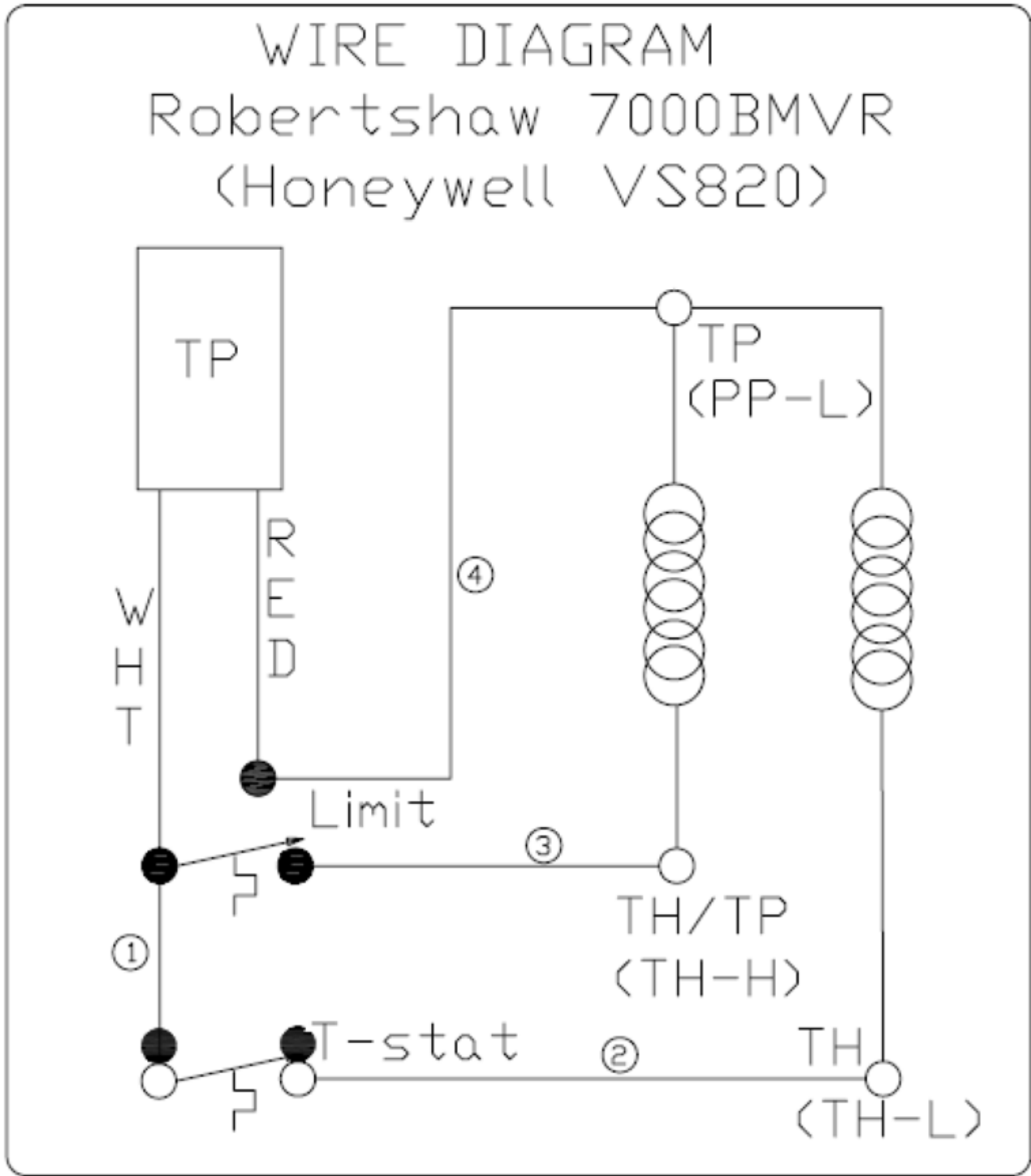
GFF35G_PG Gas Components





GFF35G_PG Gas Components

Item	Part Number	Description	Qty	Serial Number
1	K00799	Knob Thermostat	1	
2	K00798	Thermostat	1	
3	K00795	Valve, Combi, Milli-Volt (NG)	1	
3	K00796	Valve, Combi, Milli-Volt (LP)	1	
4	K00802	Tube, Flexible, 1/4", 23 in. Pilot	1	
5	K00794	Cast Iron Burner, Fryer	3	
6	K00800	Thermopile	1	
7	K00791	Main Injector #39 (NG)	3	
7	K00792	Main Injector #52 (LP)	3	
8	K00797	High Limit Thermostat	1	
9	K00801	Pilot Burner	1	





GFF35G Orifice Elevation Chart

Model	Rated Input Per Burner (BTU/HR)	Elevation		Elevation	
		Nat	LP	Nat	LP
		0-2000 ft		2000 - 4000 ft	
		Nat	LP	Nat	LP
Floor Fryer	30000	K00791 (#39)	K00792 (#52)	K01569 (#41)	K01570 (#52)
		Elevation		Elevation	
		4000 - 6000 ft		6000 - 8000 ft	
		Nat	LP	Nat	LP
Floor Fryer	30000	K01569 (#42)	K01570 (#53)	K01569 (#43)	K01570 (#54)

All orifices used for elevations of 2000 ft. or higher are sold as kits
 Natural Gas Kit includes #41, 42 & 43 (5 each)
 LP Gas Kit includes #52, 53 & 54 (5 each)