

Parts Catalog



GFF50G_PG

Gas Cooking Equipment Floor Fryer

Model: GFF50G_PG

2/03/2017

IMPORTANT!

TO EXPEDITE SHIPMENT OF PARTS, ALWAYS SPECIFY MODEL, REV,
PART NUMBER, AND SERIAL NUMBER OF UNIT.

GLOBE FOOD EQUIPMENT COMPANY

2215 East River Road
Dayton, Ohio 45439

Parts Department

Toll Free 1-800-745-6238 · Fax (937) 290-0585

E-Mail: info@globefoodequip.com

Website: www.globefoodequip.com

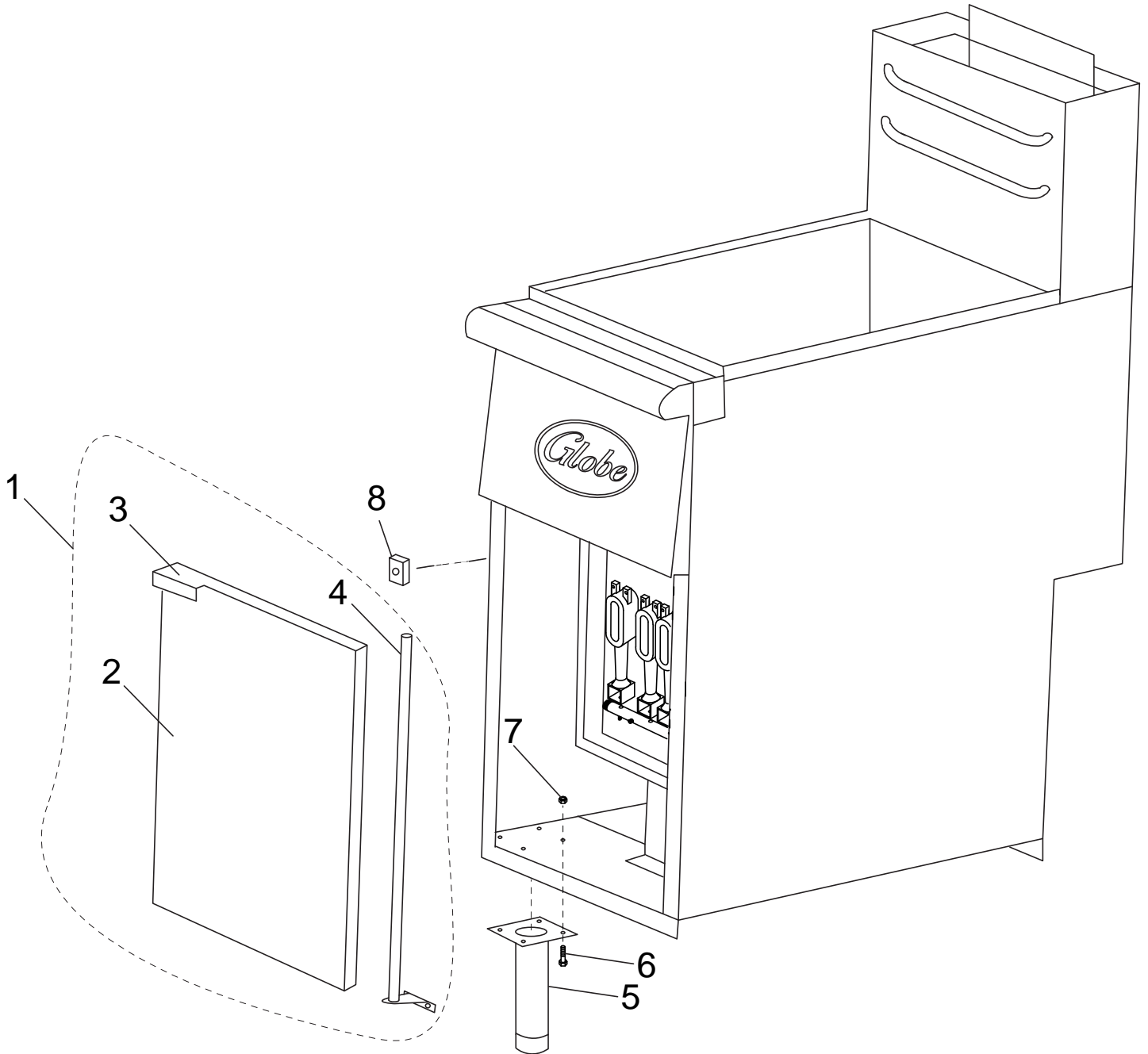
Not for resale

Table of Contents

Description	Page
GFF50G_PG Fryer Components	4
GFF50G_PG Tank Components	6
GFF50G_PG Gas Components	8
GFF50G_PG Wiring Diagram	10
GFF50G_PG Orifice Elevation Chart	11



GFF50G_PG Fryer Components



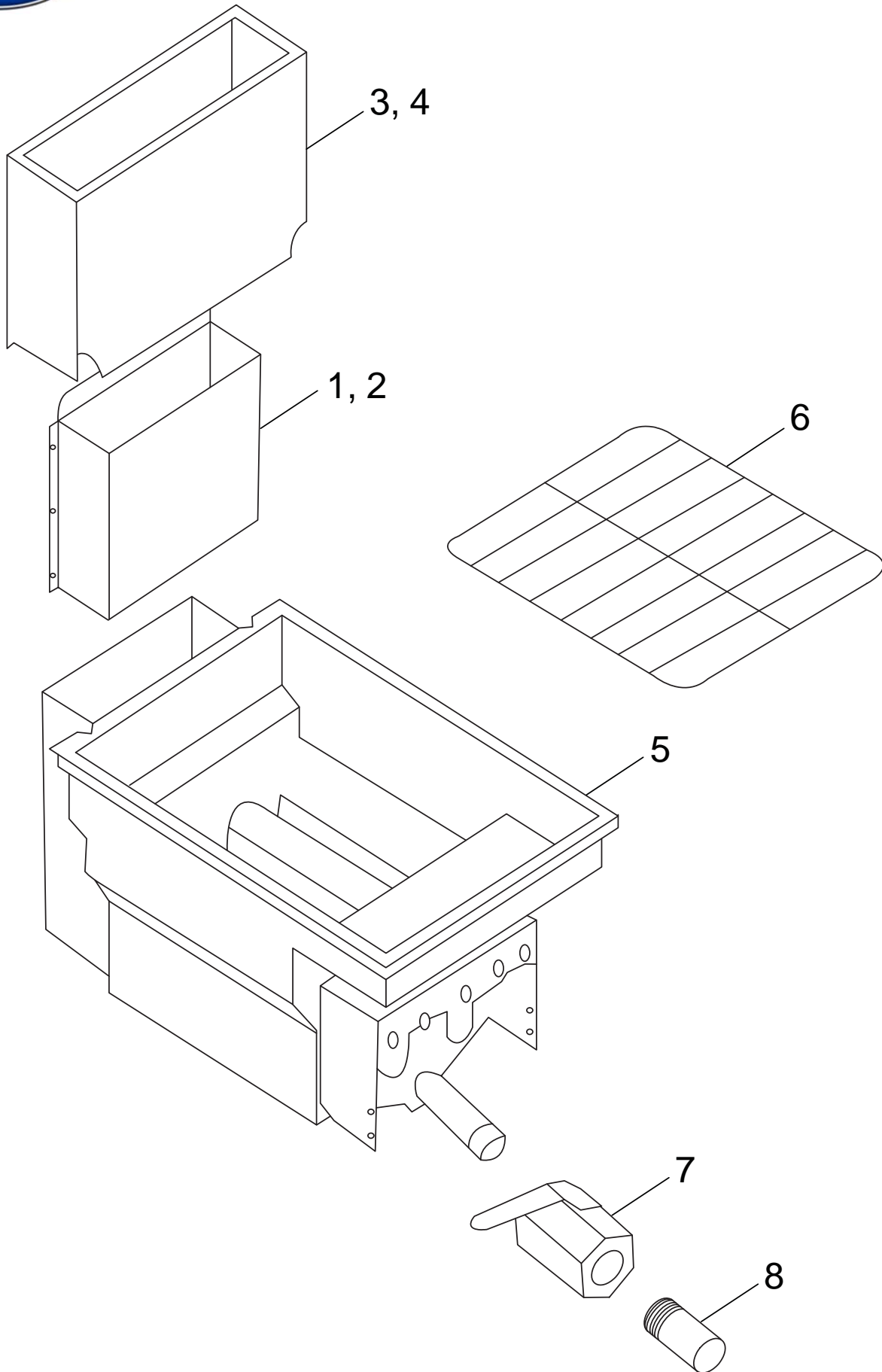


GFF50G_PG Fryer Components

Item	Part Number	Description	Qty	Serial Number
1	K00784	Door Assembly	1	
2		Door	1	
3		Handle, Door	1	
4		Rod and Hinge, Door	1	
5	K00810	Leg Kit (set of 4) includes hardware	1	
6		Bolt 1/4 - 20 x 3/4	16	
7		Nut 1/4 - 20 x 3/4	16	
8	K00786	Door Magnet	1	



GFF50G_PG Tank Components



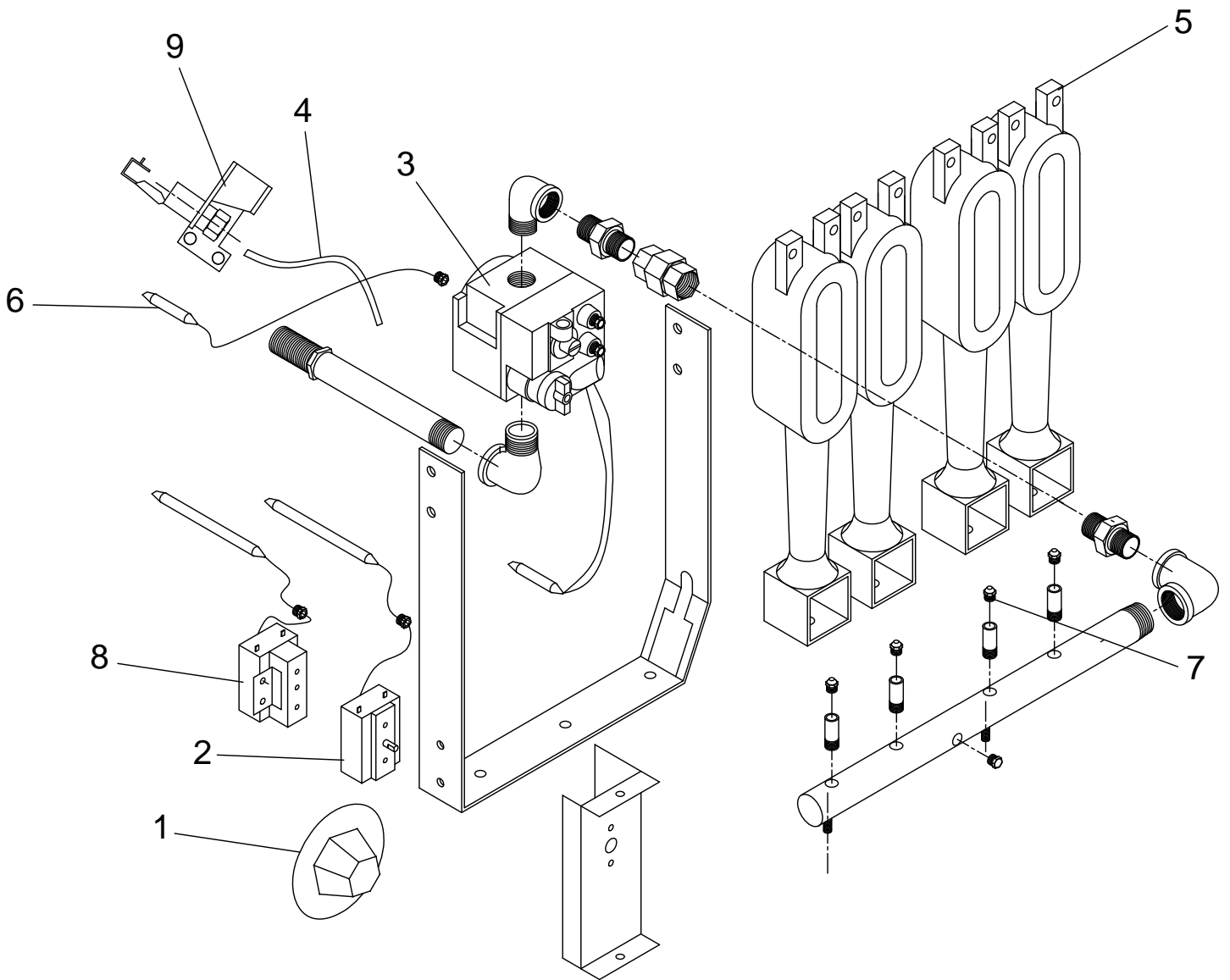


GFF50G_PG Tank Components

Item	Part Number	Description	Qty	Serial Number
1	K00806	Flue Top	1	
2	H01556	Screw M4 x 10 mm Self Tapping	2	
3	K00808	Flue Wrap	1	
4	H01556	Screw M4 x 10 mm Self Tapping	6	
5		Tank	1	
6	K00789	Screen	1	
7	K00803	Valve, Ball	1	
8	K00804	Drain Extension	1	



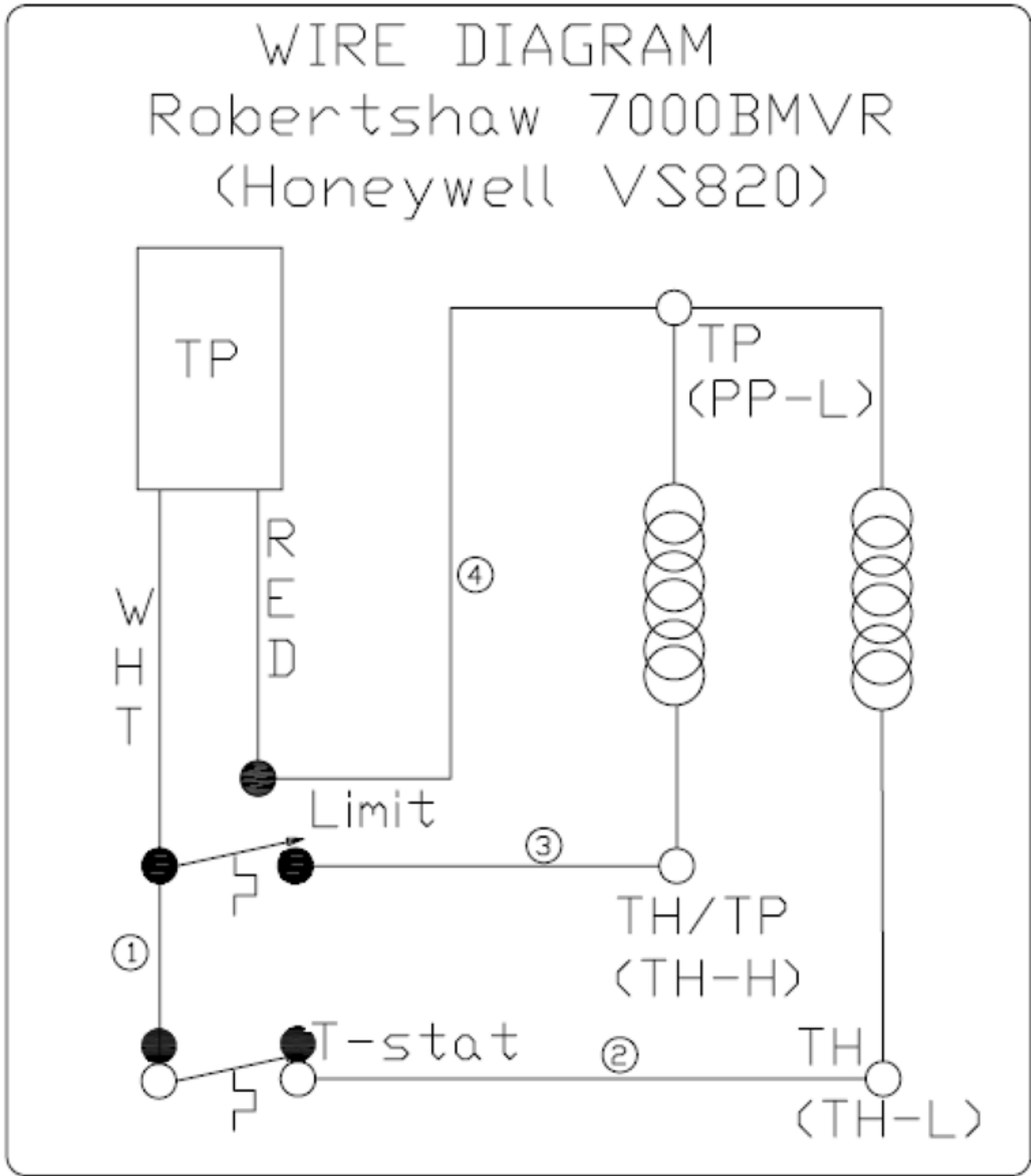
GFF50G_PG Gas Components





GFF50G_PG Gas Components

Item	Part Number	Description	Qty	Serial Number
1	K00799	Knob Thermostat	1	
2	K00798	Thermostat	1	
3	K00795	Valve, Combi, Milli-Volt (NG)	1	
3	K00796	Valve, Combi, Milli-Volt (LP)	1	
4	K00802	Tube, Flexible, 1/4", 23 in. Pilot	1	
5	K00794	Cast Iron Burner, Fryer	4	
6	K00800	Thermopile	1	
7	K00791	Main Injector #39 (NG)	4	
7	K00792	Main Injector #52 (LP)	4	
8	K00797	High Limit Thermostat	1	
9	K00801	Pilot Burner	1	





GFF50G Orifice Elevation Chart

Model	Rated Input Per Burner (BTU/HR)	Elevation		Elevation	
		Nat	LP	Nat	LP
		0-2000 ft		2000 - 4000 ft	
		Nat	LP	Nat	LP
Floor Fryer	30000	K00791 (#39)	K00792 (#52)	K01569 (#41)	K01570 (#52)
		Elevation		Elevation	
		4000 - 6000 ft		6000 - 8000 ft	
		Nat	LP	Nat	LP
Floor Fryer	30000	K01569 (#42)	K01570 (#53)	K01569 (#43)	K01570 (#54)

All orifices used for elevations of 2000 ft. or higher are sold as kits
 Natural Gas Kit includes #41, 42 & 43 (5 each)
 LP Gas Kit includes #52, 53 & 54 (5 each)