

# Parts Catalog



**C10**

## Slicing Machine

**Model: C10**

10/18/16N Rev. C

IMPORTANT!

TO EXPEDITE SHIPMENT OF PARTS, ALWAYS SPECIFY MODEL, REV,  
PART NUMBER, AND SERIAL NUMBER OF UNIT.

## **GLOBE FOOD EQUIPMENT COMPANY**

2215 East River Road  
Dayton, Ohio 45439

### **Parts Department**

Toll Free 1-800-745-6238 · Fax (937) 290-0585

E-Mail: [info@globefoodequip.com](mailto:info@globefoodequip.com)

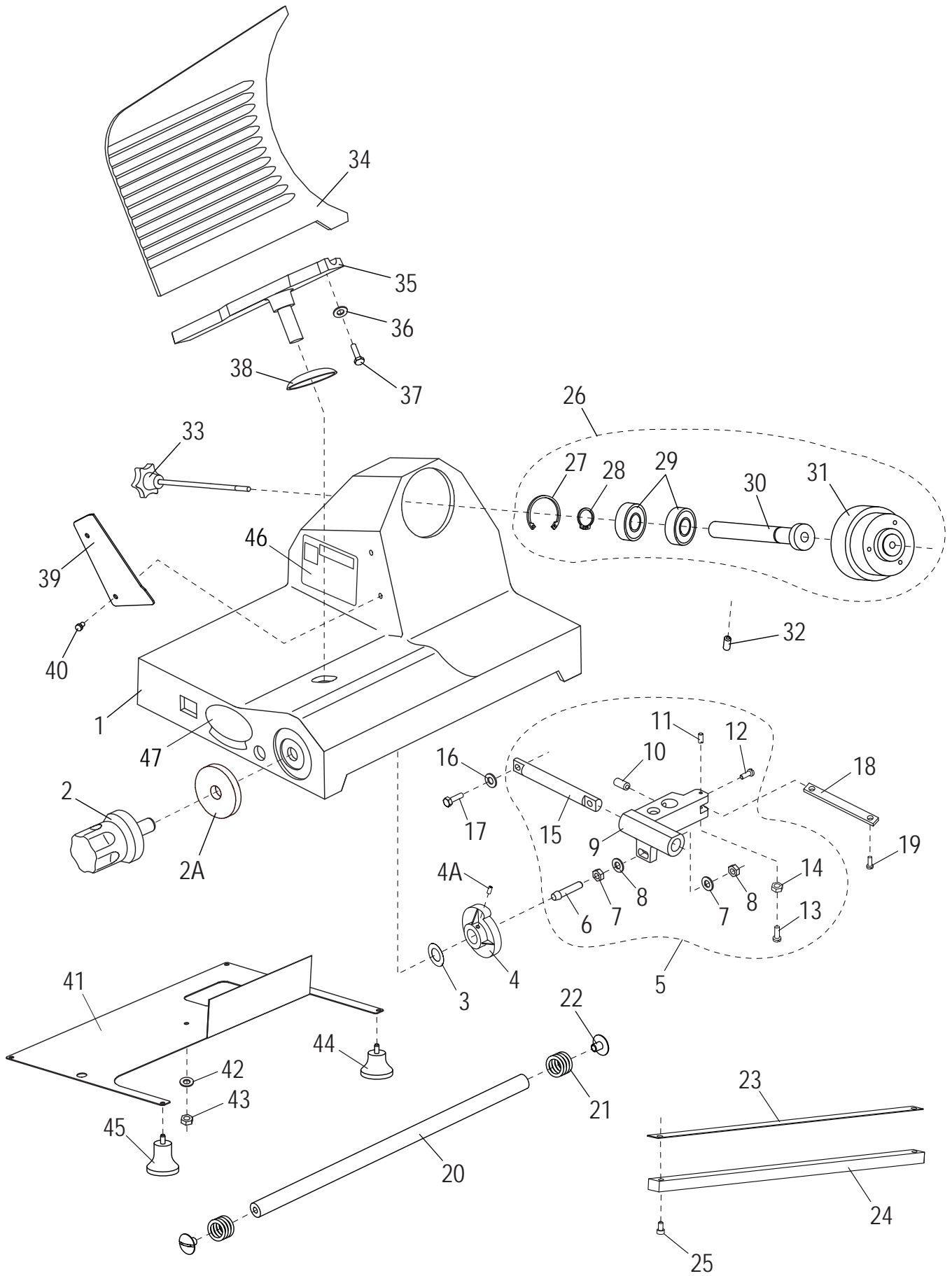
Website: [www.globefoodequip.com](http://www.globefoodequip.com)

Not for resale



# Table of Contents

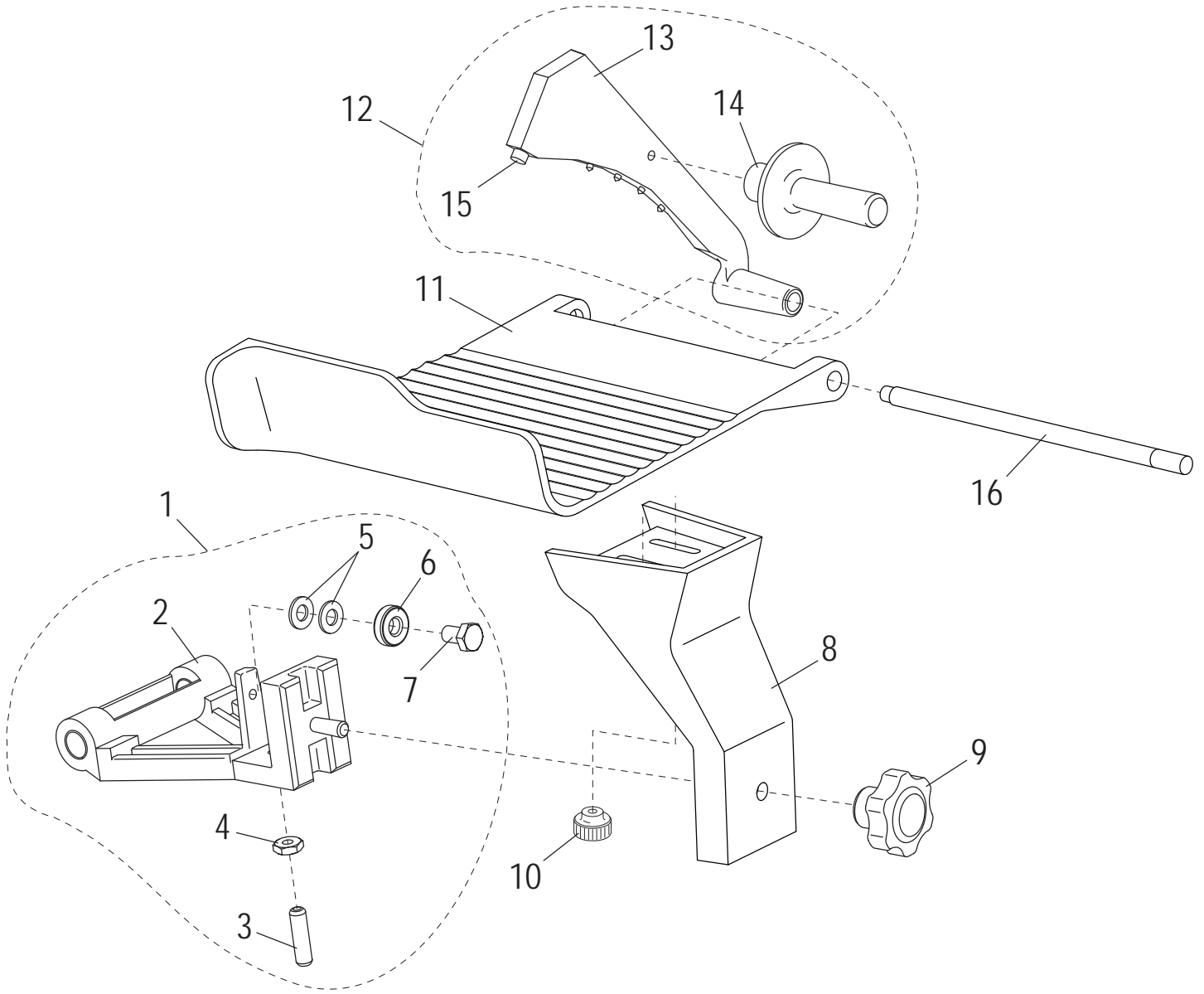
Description	Page
Base Components	4
Chute Components	6
Knife and Sharpener Components	8
Electrical Components	10
Wiring Diagram 115V 50_60Hz, 1PH	12





## Base Components

Item	Part Number	Description	Qty	Serial Number
1		Slicer Base	1	
2	M00205	Table Adjustment Knob	1	
2A	M00210	Table Adjustment Ferrule	1	
3	MCA32	Wavy Washer	1	
4A	H00181	Set Screw	2	
4	MCA33	Table Adjustment Cam	1	
5	MC002	Table Slide Assembly (Incl. items 6-15)	1	
6	MCA34	Cam Actuator Stud	1	
7	M035	Flat Washer	2	
8	M034	Hex Nut	2	
9		Table Slide	1	
10	H00186	Set Screw M8-1.25x10 Cup Pt. Hex Socket - BO	2	
11	H00182	Set Screw M5x10 Flat Pt Slotted - Zn	1	
12	H00189	Cheese Hd Screw M4-0.7x10 Slotted - Zn	1	
13	H00187	Cheese Hd Screw M5-0.8x16 Slotted - Zn	1	
14	H00028	Hex Nut M5 - Zn	1	
15	MCA36	Table Slide Rod	1	
16	M035	Flat Washer	2	
17	H00190	Hex Hd Screw M5x16 - Nickel	2	
18	MCA35	Table Slide Plate	1	
19	H00061	Hex Head Screw M5x10, Zinc	2	
20	MCA26	Carriage Slide Rod	1	
21	MCA27	Carriage Spring	2	
22	MCA25	Carriage Slide Rod Screw	2	
23	MCA31/1	Wear Strip	1	
24	MCA31	Square Slide Bar	1	
25	H00187	Cheese Hd Screw M5-0.8x16 Slotted - Zn	2	
26	M00213	Knife Hub Assembly (Incl. items 27-31)	1	
27	H00053	Retaining Ring, Internal	1	
28	H00194	Retaining Ring, External	1	
29	MCA12/3	Bearing	2	
30	MCA12/1USA	Knife Pulley Shaft	1	
31	MCA12/2	Knife Pulley	1	
32	H00183	Set Screw M5x10 Cup Pt. Hex Socket - BO	1	
33	M00215	Knife Cover Release Knob	1	
34	M00221	Table	1	
35	M00239	Table Support	1	
36	M035	Flat Washer	2	
37	H00043	Hex Head Screw M6x25 - Zn	2	
38	M00218	Base Hole Cover	1	
39	MCA22/1	Deflector	1	
40	MCC23	Thumb Screw	2	
41	MCA64USA	Bottom Cover	1	
42	H00063	Flat Washer, M5, Zinc	1	
43	H00028	Hex Nut M5 - Zn	1	
44	M00219	Back Foot	2	
45	M00220	Front Foot	2	
46	M91022	Label, Warning	1	
47	M91020	Label, Chefmate	1	

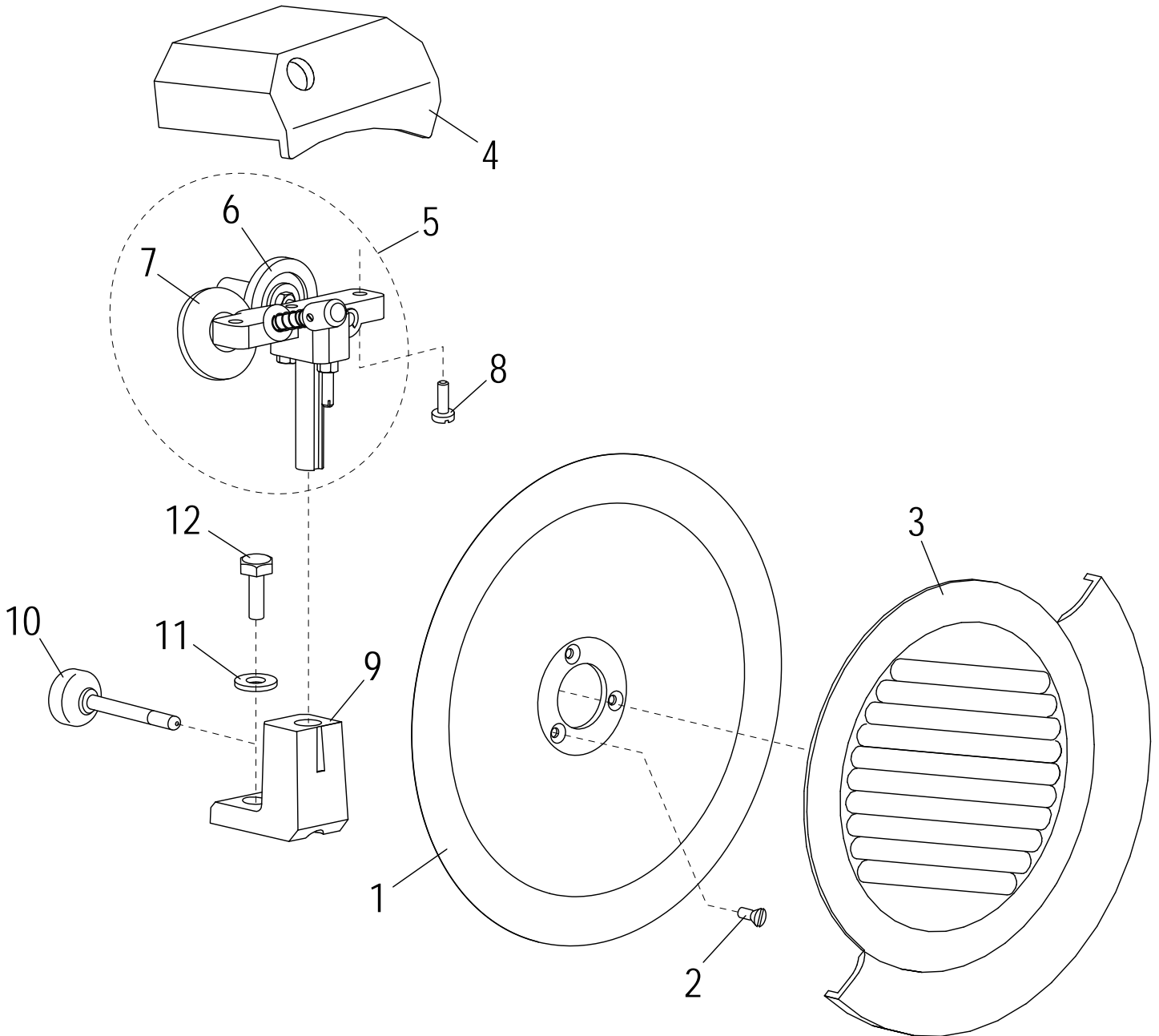




## Chute Components

---

Item	Part Number	Description	Qty	Serial Number
1	MC006	Chute Slide Assembly (Incl. items 2-7)	1	
2		Chute Slide	1	
3	M053	Brass Stud	1	
4	H00192	Hex Nut M8-1.25, 13mm Width, 4 mm Height - Zn	1	
5	H00191	Flat Washer M8, 8.4 IDx16 ODx1.4-1.8mm thick DIN 125 - Zn	2	
6	MCA29	Bearing	1	
7	H00116	Hex Head Screw M6-1.0x20 - Zn	1	
8	M00673	Chute Support	1	
9	M00253	Chute Support Knob	1	
10	M00284	Chute Release Knob	1	
11	M00276	Chute	1	
12	MC008	End Weight Assembly (Incl. items 13-15)	1	
13		End Weight	1	
14	M00257	End Weight Handle	1	
15	M108	End Weight Bumper	1	
16	M00258	End Weight Rod	1	



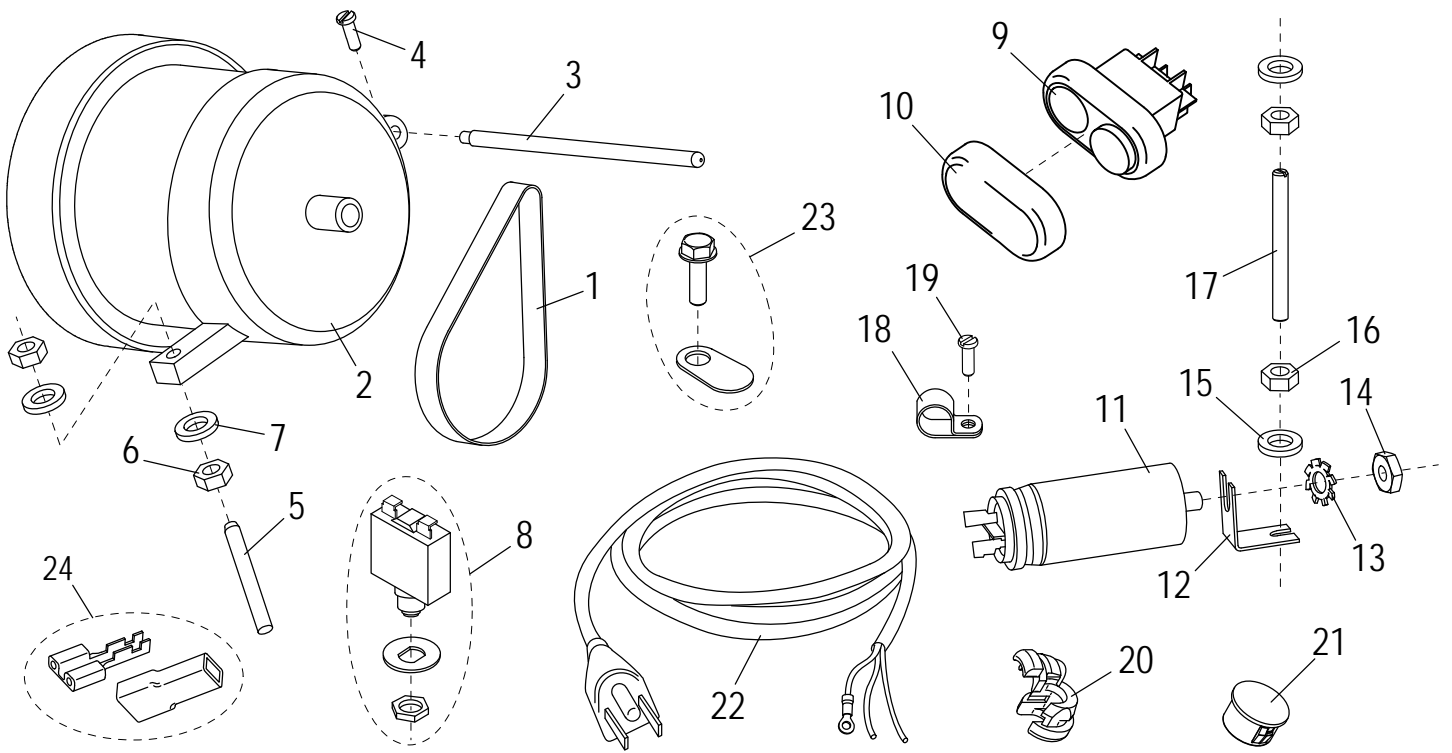




## Knife and Sharpener Components

---

Item	Part Number	Description	Qty	Serial Number
1	MCB13	Knife	1	
2	H00200	Flat Hd Screw M5x10 Slotted - SS	3	
3	MCA4USA	Knife Cover	1	
4	MCA11	Sharpener Cover	1	
5	MCB16	Knife Sharpener Assembly	1	
6	M092	Deburring Stone	1	
7	M091	Sharpening Stone	1	
8	H00187	Cheese Hd Screw M5-0.8x16 Slotted - Zn	2	
9	MCB10	Sharpener Support	1	
10	M096	Release Knob, Sharpener	1	
11	H00191	Flat Washer M8, 8.4 IDx16 ODx1.4-1.8mm thick DIN 125 - Zn	1	
12	H00117	Hex Head Screw M8x20 - Zn	1	





## Electrical Components

Item	Part Number	Description	Qty	Serial Number
1	MCB51	Drive Belt	1	
2	MCL43/2	Knife Motor	1	
3	M031	Post, Motor Pivot	1	
4	H00189	Cheese Hd Screw M4-0.7x10 Slotted - Zn	1	
5	M033	Set Screw	1	
6	M034	Hex Nut	2	
7	M035	Flat Washer	2	
8	M038	Motor Reset Switch	1	
9	MCR68	Power Switch	1	
10	MCR59	Power Switch Cover	1	
11	M039	Capacitor, 16 µf	1	
12		Capacitor Mounting Bracket	1	
13	H00335	Capacitor Lock Washer	1	
14	H00192	Hex Nut M8-1.25, 13mm Width, 4 mm Height - Zn	1	
15	H00063	Flat Washer, M5, Zinc	2	
16	H00028	Hex Nut M5 - Zn	2	
17	M00369	Cover Spacer Stud	1	
18	M037	Cable Clamp	1	
19	H00061	Hex Head Screw M5x10, Zinc	1	
20	M111	Strain Relief	1	
21	MCC80	Hole Plug	1	
22	MB65/4F	Power Cord & Plug	1	
23	M00334	Ground Screw/Marking Tab Set	1	
24	M00233	Female Terminal/Insulator Set	8	



# Wiring Diagram 115V 50\_60Hz, 1PH

