

Parts Catalog



C9 Slicer

SLICING MACHINE

MODEL: C9

02-26-15N

Serial Number 101735 and Up

IMPORTANT!

TO EXPEDITE SHIPMENT OF PARTS, ALWAYS SPECIFY MODEL, REV,
PART NUMBER, AND SERIAL NUMBER OF SLICER.

GLOBE FOOD EQUIPMENT COMPANY

2215 East River Road

Dayton, Ohio 45439

Parts Department

Toll Free 1-800-745-6238 • Fax (937) 290-0585

E-Mail: info@globefoodequip.com

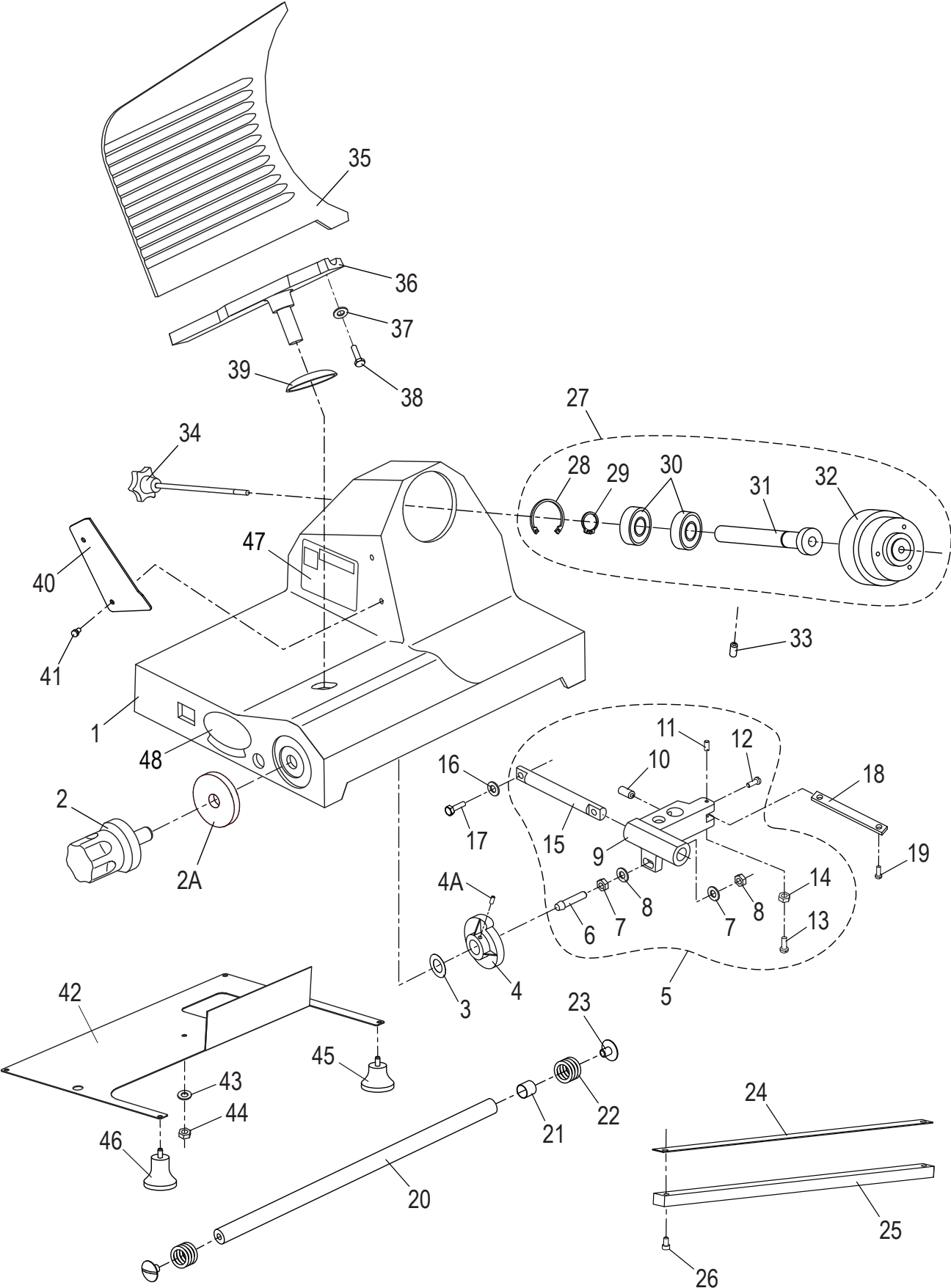
Website: www.globefoodequip.com

Not for resale

TABLE OF CONTENTS

Serial Number 101735 and Up	Page
Base Components	1 - 2
Chute Components	3
Knife & Sharpener Components	4
Electrical Components	5
Wiring Diagram	6

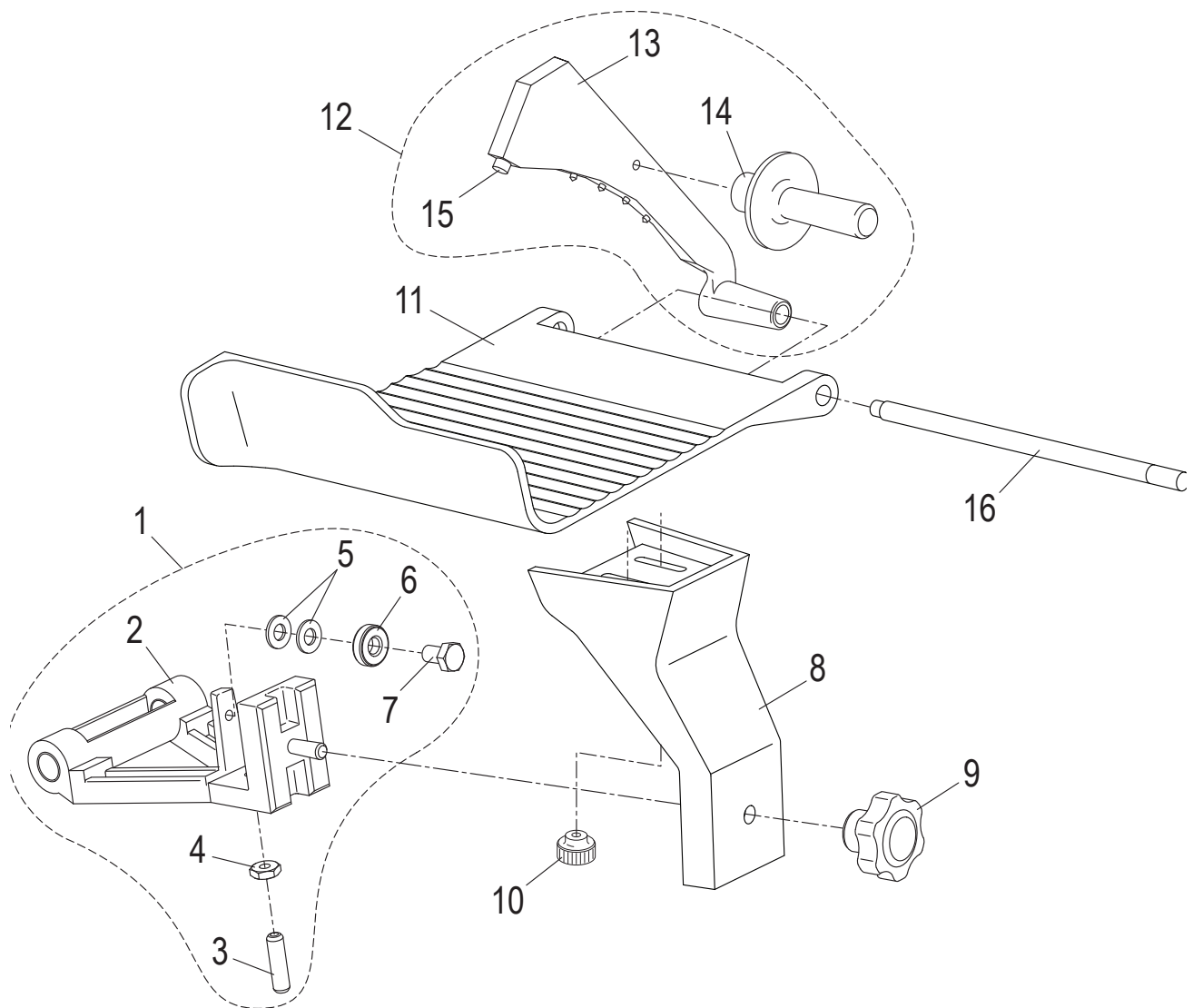
C9 BASE COMPONENTS



C9 BASE PARTS LIST

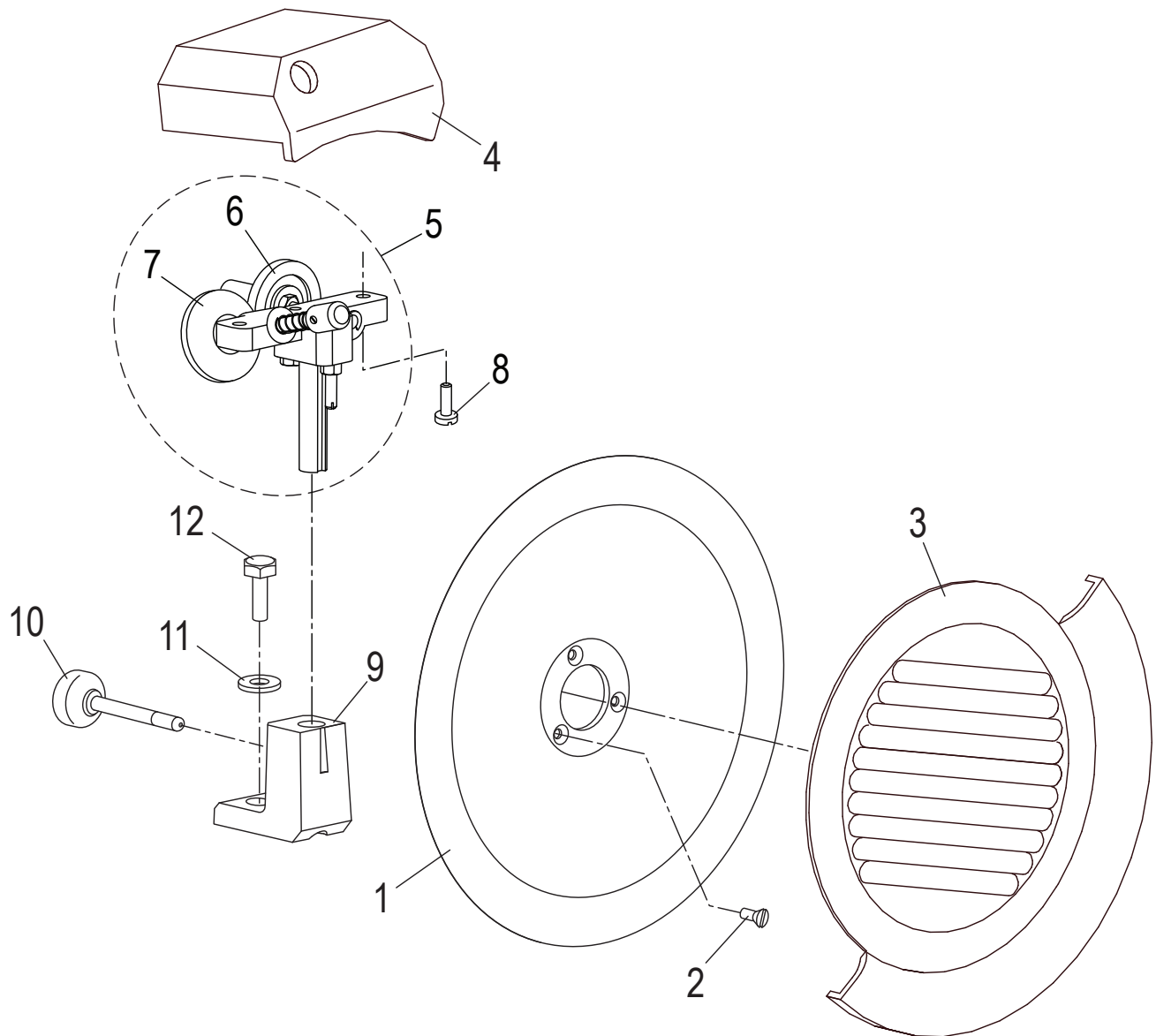
Item	Description	Qty	Part Numbers	Standard Hardware
1	Slicer Base	1	-	
2	Table Adjustment Knob	1	M00205	
2A	Table Adjustment Ferrule	1	M00210	
3	Wavy Washer	1	MCA32	
4	Table Adjustment Cam	1	MCA33	
4A	Set Screw	2	H00181	
5	Table Slide Assembly (Item 6 - 15)	1	MC002	
6	Cam Actuator Stud	1	MCA34	
7	Actuator Washer	2	M035	
8	Actuator Nut	2	M034	
9	Table Slide	1	-	
10	Table Slide Set Screw, Side	2	H00186	
11	Table Slide Set Screw, Top	1	H00182	
12	Table Slide Screw, End	1	H00189	
13	Table Slide Screw, Bottom	1	H00187	
14	Table Slide Nut, Bottom	1	H00028	
15	Table Slide Rod	1	MCA36	
16	Slide Rod Washer	2	M035	
17	Slide Rod Mounting Screw	2	H00190	
18	Table Slide Plate	1	MCA35	
19	Slide Plate Mounting Screw	2	H00061	
20	Carriage Slide Rod	1	MCA26	
21	Carriage Rod Spacer	1	MCA23	
22	Carriage Spring	2	MCA27	
23	Carriage Slide Rod Screw	2	MCA25	
24	Wear Strip	1	MCA31/1	
25	Square Slide Bar	1	MCA31	
26	Slide Bar Mounting Screw	2	H00187	
27	Knife Hub Assembly (Item 28 - 32)	1	M00213	
28	Retaining Ring, Internal	1	H00053	
29	Retaining Ring, External	1	H00194	
30	Bearing	2	MCA12/3	
31	Knife Pulley Shaft	1	MCA12/1USA	
32	Knife Pulley	1	MCA12/2	
33	Knife Shaft Set Screw	1	H00183	
34	Knife Cover Release Knob	1	M00215	
35	Table	1	M00216	
36	Table Support	1	M00217	
37	Table Support Washer	2	M035	
38	Table Support Mounting Screw	2	H00043	
39	Base Hole Cover	1	M00218	
40	Deflector	1	MCA22/1	
41	Deflector Thumb Screw	2	MCC23	
42	Bottom Cover	1	MCA64USA	
43	Cover Washer	1	H00063	
44	Cover Nut	1	H00028	
45	Back Foot	2	M00219	
46	Front Foot	2	M00220	
47	Label, Warning	1	M91022	
48	Label, Chefmate	1	M91020	

C9 CHUTE COMPONENTS



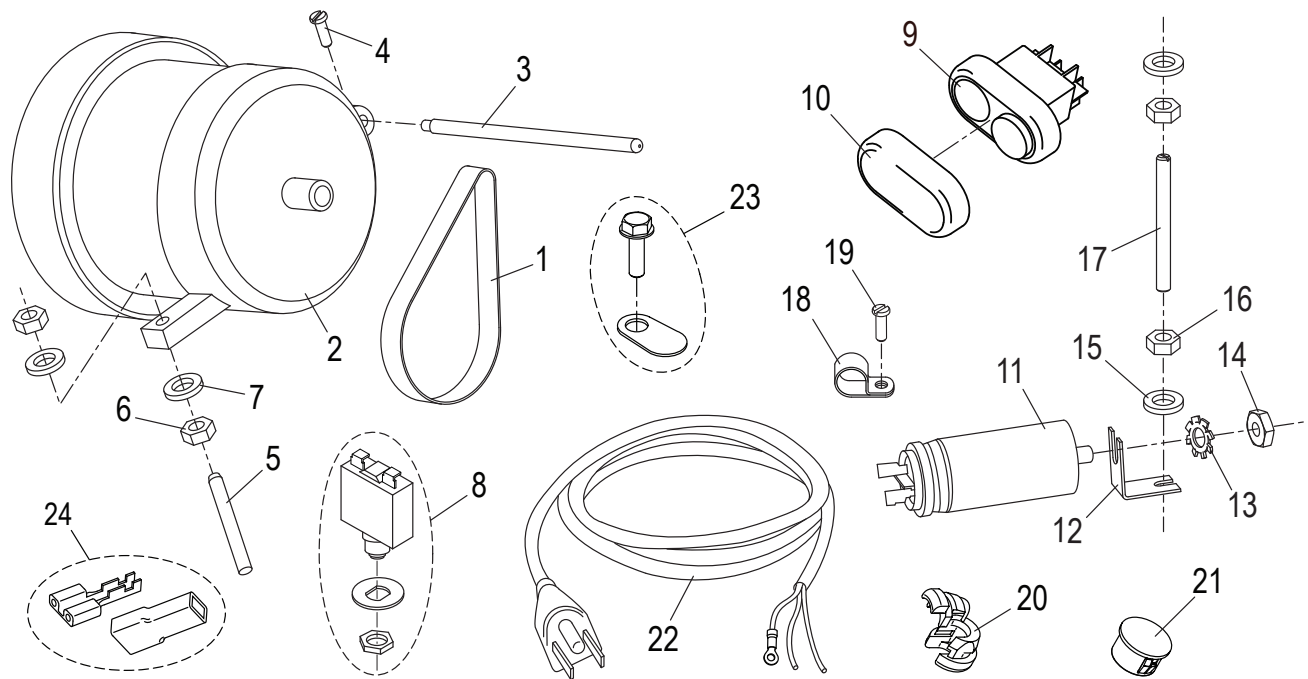
Item	Description	Qty	Part Number	Standard Hardware
1	Chute Slide Assembly (Item 2 - 7)	1	MC006	
2	Chute Slide	1	-	
3	Brass Stud	1	M053	
4	Stud Nut	1	H00192	
5	Flat Washer	2	H00191	
6	Bearing	1	MCA29	
7	Bearing Mounting Screw	1	H00116	
8	Chute Support	1	M00346	
9	Chute Support Knob	1	M00253	
10	Chute Release Knob	1	M00284	
11	Chute	1	M00364	
12	Endweight Assembly (Item 13 - 15)	1	M00256	
13	End Weight	1	-	
14	End Weight Handle	1	M00257	
15	End Weight Bumper	1	M108	
16	End Weight Rod	1	M00652	

C9 KNIFE AND SHARPENER COMPONENTS



Item	Description	Qty	Part Number	Standard Hardware
1	Knife	1	MCA13	
2	Knife Mounting Screw	3	H00200	
3	Knife Cover	1	MCA4USA	
4	Sharpener Cover	1	MCA11	
5	Sharpener Assembly	1	M00394	
6	Deburring Stone	1	MCA18	
7	Sharpening Stone	1	MCA17	
8	Sharpener Cover Mounting Screw	2	H00187	
9	Sharpener Support	1	MCB10	
10	Knife Cover Release Knob	1	M096	
11	Sharpener Support Washer	1	H00191	
12	Sharpener Support Mounting Bolt	1	H00117	

C9 ELECTRICAL COMPONENTS



Item	Description	Qty	Part Number	Standard Hardware
1	Drive Belt	1	54	
2	Knife Motor	1	MCA43/2	
3	Post, Motor Pivot	1	M031	
4	Screw	1	H00189	
5	Motor Stud	1	M033	
6	Motor Nut	2	M034	
7	Motor Washer	2	M035	
8	Motor Reset Switch	1	M038	
9	Power Switch	1	MCR68	
10	Power Switch Cover	1	MCR59	
11	Capacitor, 16 μ f	1	M039	
12	Capacitor Mounting Bracket	1	-	
13	Capacitor Lock Washer	1	H00335	
14	Capacitor Mounting Nut	1	H00192	
15	Cover Spacer Washer	2	H00063	
16	Cover Spacer Nut	2	H00028	
17	Cover Spacer Stud	1	M00369	
18	Cable Clamp	1	M037	
19	Cable Clamp Screw	1	H00061	
20	Strain Relief	1	M111	
21	Hole Plug	1	MCC80	
22	Power Cord & Plug	1	MB65/4F	
23	Ground Screw/Marking Tab Set	1	M00334	
24	Female Terminal/Insulator Set	8	M00233	

C9 WIRING DIAGRAM 115V, 50/60Hz, 1PH

