

Parts Catalog



G10

Slicing Machine

Model: G10

08/09/16N Rev. C, Serial Number 401100 - 401427

IMPORTANT!

TO EXPEDITE SHIPMENT OF PARTS, ALWAYS SPECIFY MODEL, REV,
PART NUMBER, AND SERIAL NUMBER OF UNIT.

GLOBE FOOD EQUIPMENT COMPANY

2215 East River Road
Dayton, Ohio 45439

Parts Department

Toll Free 1-800-745-6238 · Fax (937) 290-0585

E-Mail: info@globefoodequip.com

Website: www.globefoodequip.com

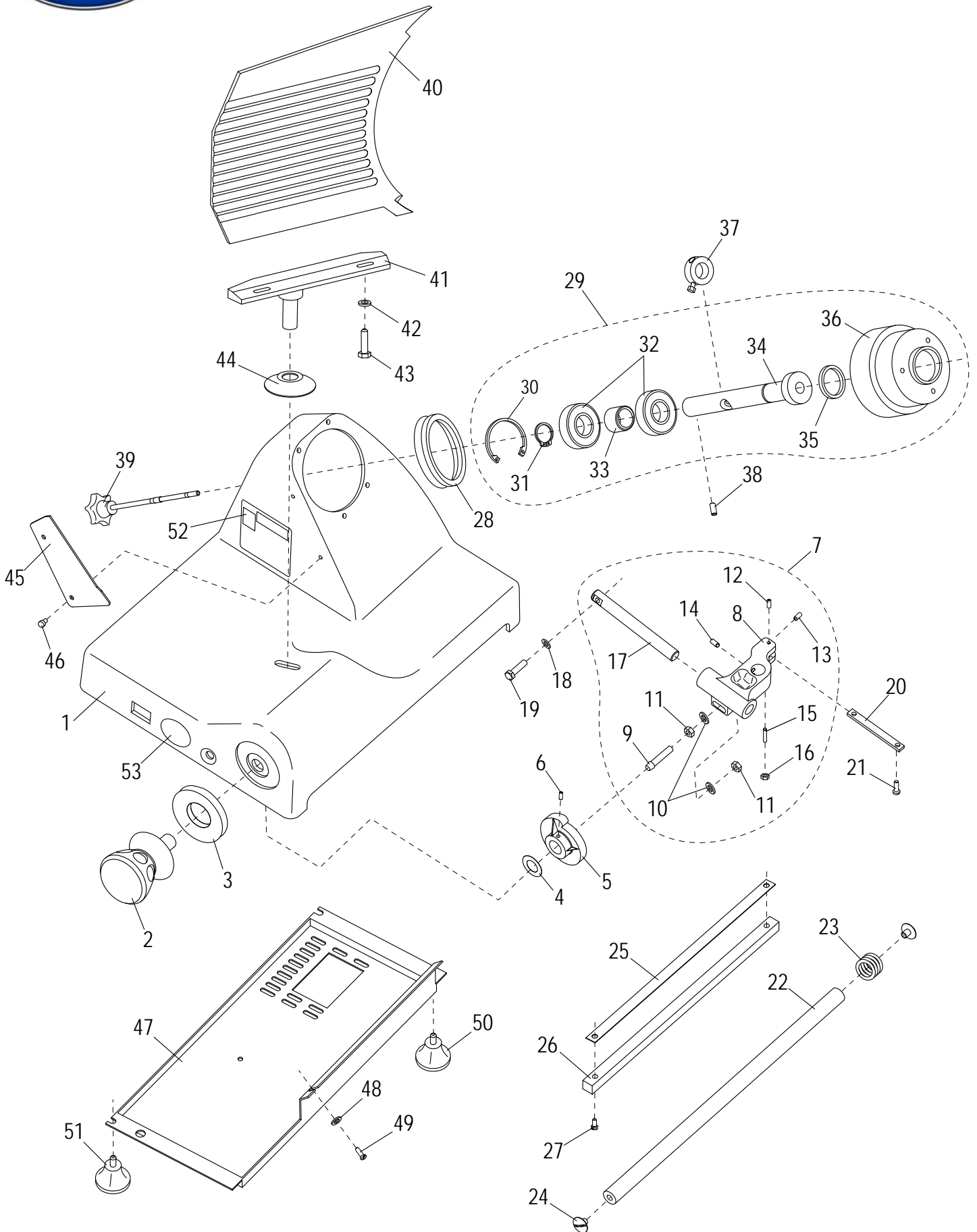
Not for resale

Table of Contents

Description	Page
G10 Base Components	4
G10 Chute Components	6
G10 Knife and Sharpener Components	8
G10 Electrical Components	10
G10 Wiring Diagram - 115, 50_60 Hz, 1PH	12



G10 Base Components



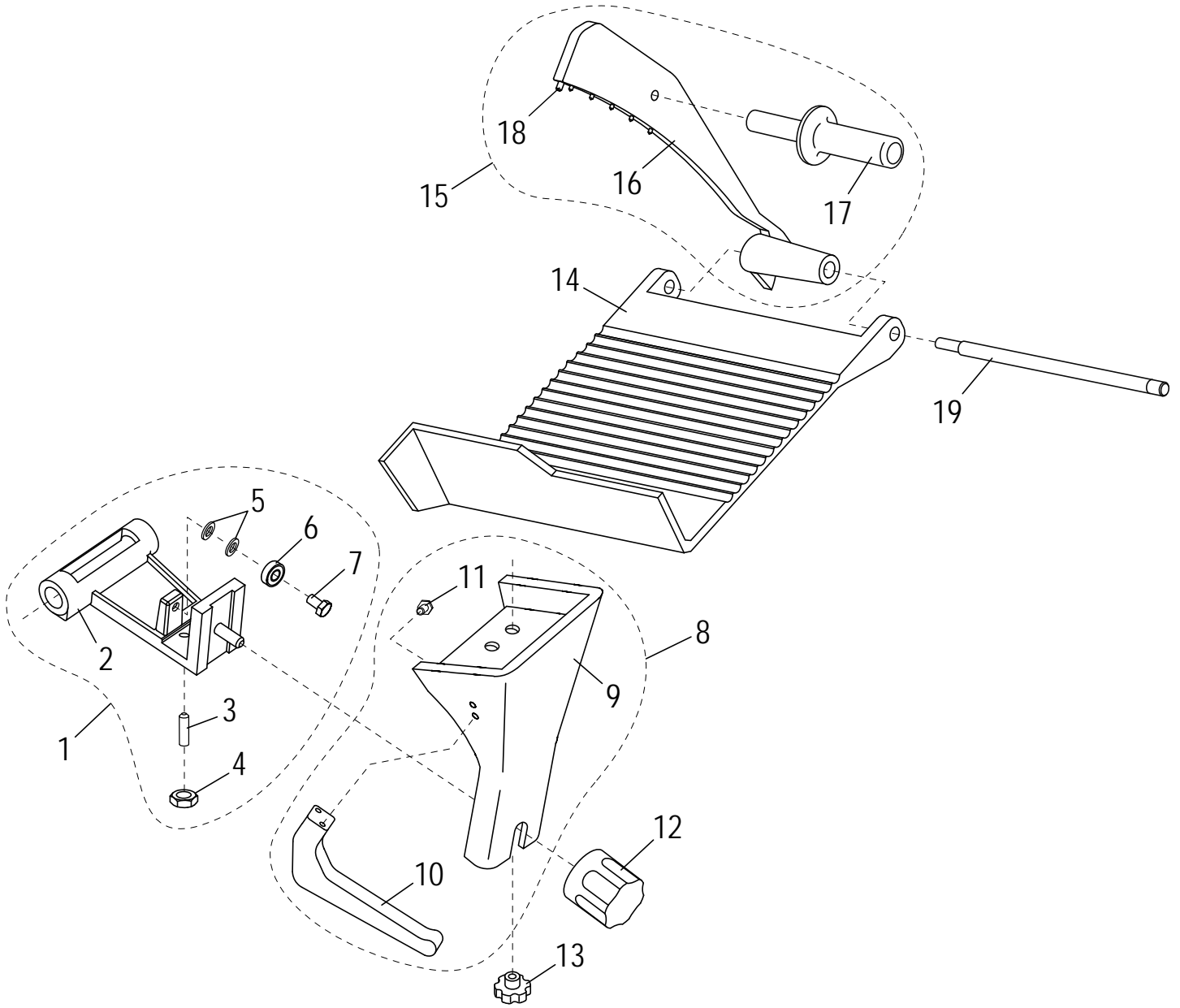


G10 Base Components

Item	Part Number	Description	Qty	Serial Number
1		Slicer Base	1	
2	M00209	Table Adjustment Knob	1	
3	M00211	Table Adjustment Ferrule	1	
4	M003	Wave Washer	1	
5	M004	Table Adjustment Cam	1	
6	H00181	Set Screw	2	
7	M305	Table Slide Assy	1	
8		Table Slide (Incl. items 8-17)	1	
9	M013	Stud, Cam Actuator	1	
10	H00191	Flat Washer M8, 8.4 IDx16 ODx1.4-1.8mm thick DIN 125 - Zn	2	
11	H00192	Hex Nut M8-1.25, 13mm Width, 4 mm Height - Zn	2	
12	H00182	Set Screw M5x10 Flat Pt Slotted - Zn	1	
13	H00185	Set Screw, Table Slide End	1	
14	H00186	Set Screw M8-1.25x10 Cup Pt. Hex Socket - BO	2	
15	H00188	Set Screw, Table Slide Bottom	1	
16	H00028	Hex Nut M5 - Zn	1	
17	M014	Rod, Table Slide	1	
18	H00191	Flat Washer M8, 8.4 IDx16 ODx1.4-1.8mm thick DIN 125 - Zn	2	
19	H00116	Hex Head Screw M6-1.0x20 - Zn	2	
20	M016	Table Slide Plate	1	
21	H00061	Hex Head Screw M5x10, Zinc	2	
22	M059	Carriage Slide Rod	1	
23	MCR27	Carriage Spring	1	
24	M060	Slide Rod Screw	2	
25	M063	Wear Strip, Slide Bar	1	
26	M062	Slide Bar, Square	1	
27	H00056	Slide Bar Screw	2	
28	MGI77/5	V Ring, Knife Seal VA 80	1	
29	MC012	Knife Hub Assembly (Incl. items 30-36)	1	
30		Retaining Ring, Internal	1	
31		Retaining Ring, External	1	
32		Bearing	2	
33		Spacer, Knife Pulley	1	
34		Shaft, Knife Hub - Switch Collar	1	
35		Oil Seal, Hub	1	
36		Pulley, Knife Hub	1	
37	MCB61	Microswitch Collar	1	
38	H00184	Knife Shaft Set Screw	1	
39	M00225	Knife Cover Release Knob	1	
40	M00230	Table	1	
41	M00231	Table Support	1	
42	H00191	Flat Washer M8, 8.4 IDx16 ODx1.4-1.8mm thick DIN 125 - Zn	2	
43	H00196	Table Support Screw	2	
44	M00228	Hole Cover, Base	1	
45	M097	Knife Wiper	1	
46	MCC23	Thumb Screw	2	
47	M113	Bottom Cover	1	
48	H00063	Flat Washer, M5, Zinc	1	
49	H00061	Hex Head Screw M5x10, Zinc	1	
50	M115	Back Foot	2	
51	M00229	Front Foot	2	
52	M91022	Label, Warning	1	
53	M91021	Label, Globe Logo	1	



G10 Chute Components



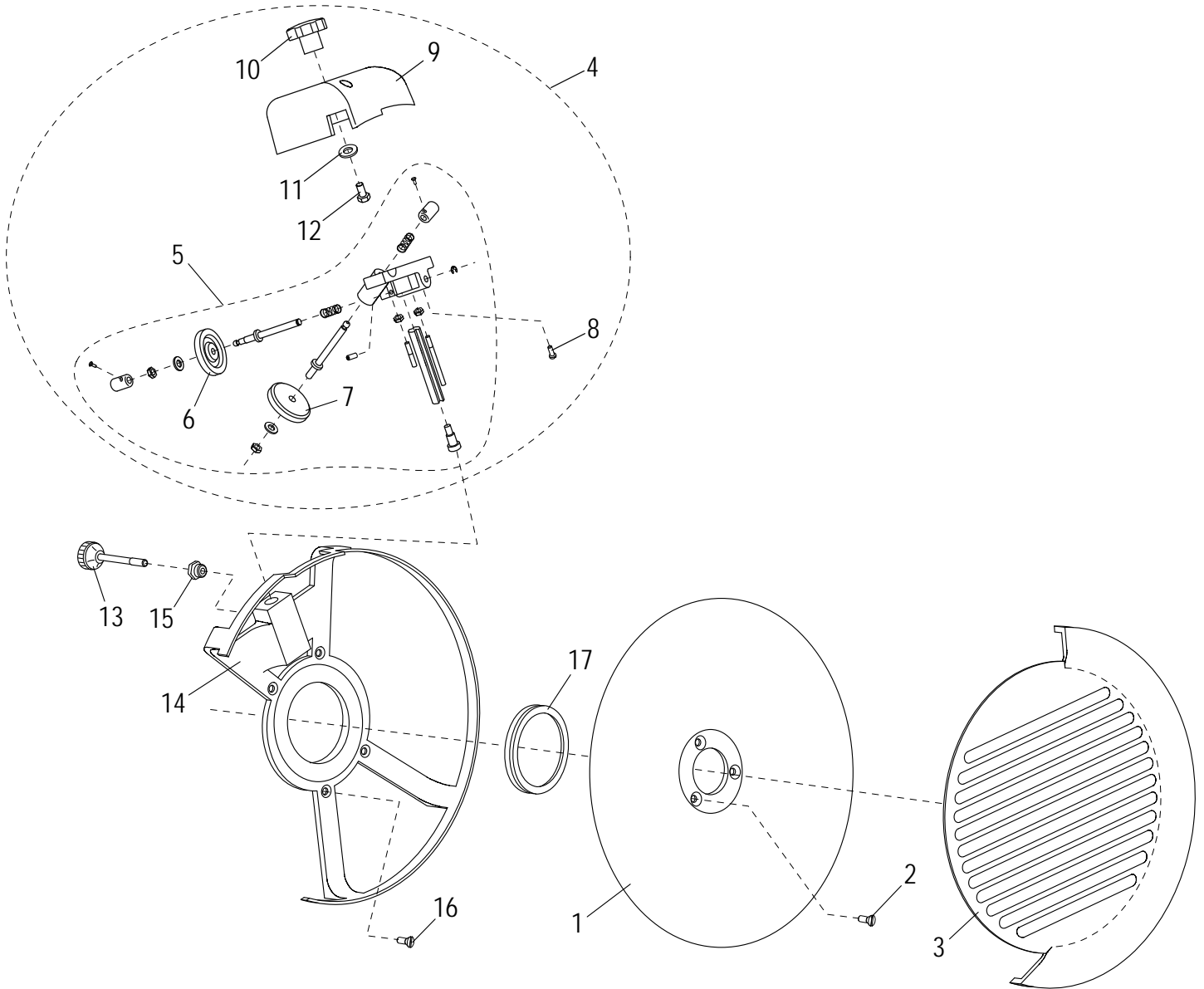


G10 Chute Components

Item	Part Number	Description	Qty	Serial Number
1	M00265	Chute Slide Assembly (Incl. items 2-7)	1	
2		Chute Slide	1	
3	M053	Brass Stud	1	
4	H00192	Hex Nut M8-1.25, 13mm Width, 4 mm Height - Zn	1	
5	H00191	Flat Washer M8, 8.4 IDx16 ODx1.4-1.8mm thick DIN 125 - Zn	2	
6	M056	Bearing Screw	1	
7	H00117	Hex Head Screw M8x20 - Zn	1	
8	M00263	Chute Support Assembly (Incl. items 9-11)	1	
9	M00266	Chute Support	1	
10	M067	Chute Support Handle	1	
11	H00156	Screw, Chute Support Handle	2	
12	M00268	Chute Support Knob	1	
13	M00254	Chute Release Knob	1	
14	M00275	Chute	1	
15	M00260	End Weight Assembly (Incl. items 16-18)	1	
16		End Weight	1	
17	M00261	End Weight Handle	1	
18	MC39	Bumper, End Weight	1	
19	M00270	End Weight Rod	1	



G10 Knife and Sharpener Components



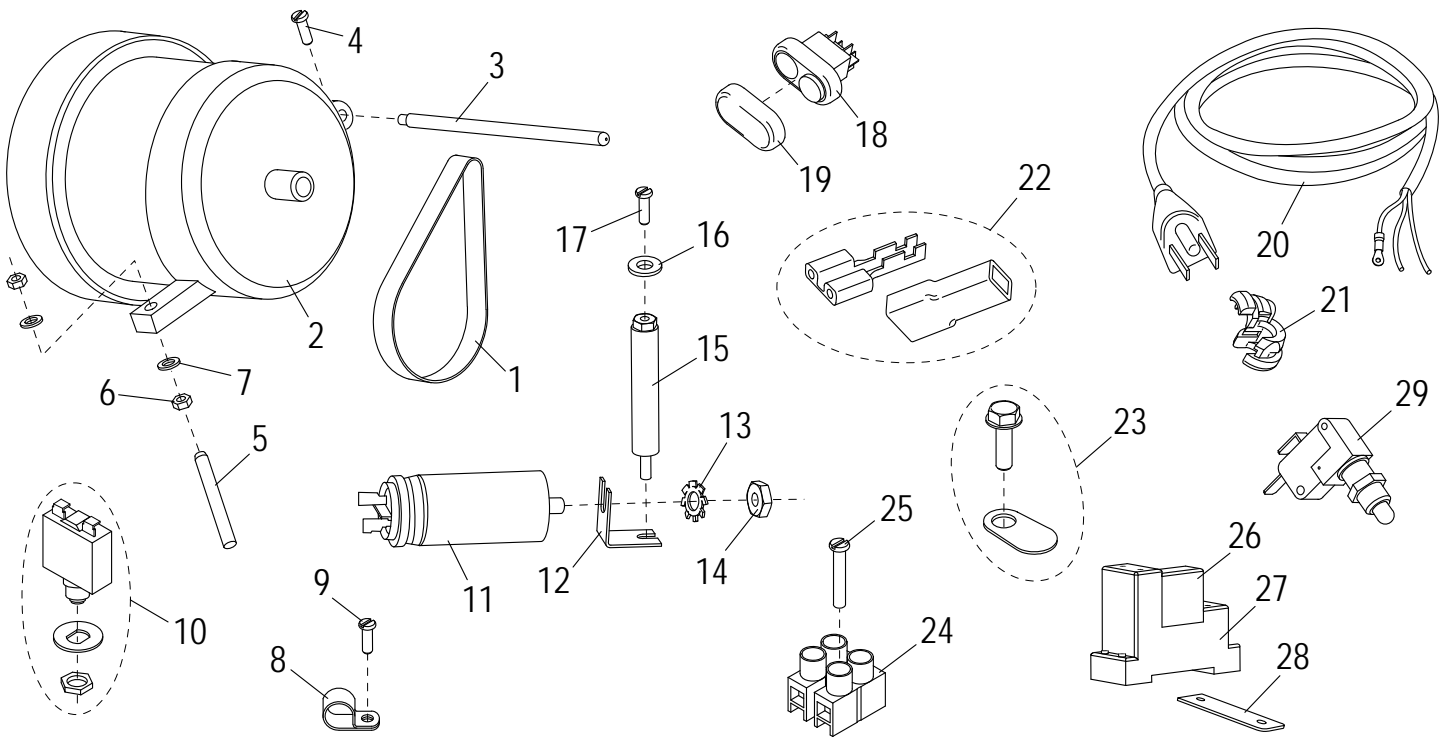


G10 Knife and Sharpener Components

Item	Part Number	Description	Qty	Serial Number
1	MCB13	Knife	1	
2	56-A	Screw, Knife Mounting	3	
3	M00327	Knife Cover	1	
4	M377	Sharpener Assembly with Cover (Incl. items 5-12)	1	
5	MC017	Knife Sharpener Assembly (Incl. items 6-7)	1	
6	M092	Deburring Stone	1	
7	MCC17	Sharpening Stone	1	
8	H00187	Cheese Hd Screw M5-0.8x16 Slotted - Zn	2	
9	M074	Sharpener Cover	1	
10	M075	Sharpener Cover Knob	1	
11	M035	Flat Washer	1	
12	H00197	Hex Hd Screw M6x15 - Zn	1	
13	M096	Knife Cover Release Knob	1	
14	MCRB14/1	Knife Rim Guard	1	
15	M045	Insert, Knife Rim Guard	1	
16	H00435	Screw, Rim Guard	4	
17	MGI77/5	V Ring, Knife Seal VA 80	1	



G10 Electrical Components





G10 Electrical Components

Item	Part Number	Description	Qty	Serial Number
1	MCC51	Drive Belt	1	
2	MCR43/2	Knife Motor	1	
3	M031	Post, Motor Pivot	1	
4	H00189	Cheese Hd Screw M4-0.7x10 Slotted - Zn	1	
5	M033	Set Screw	1	
6	M034	Hex Nut	2	
7	M035	Flat Washer	2	
8	M037	Cable Clamp	1	
9	H00061	Hex Head Screw M5x10, Zinc	1	
10	M038	Motor Reset Switch	1	
11	M039	Capacitor, 16 µf	1	
12		Bracket, Capacitor Mounting	1	
13	H00335	Capacitor Lock Washer	1	
14	H00192	Hex Nut M8-1.25, 13mm Width, 4 mm Height - Zn	1	
15	M043	Standoff, Cover Spacer	1	
16	M035	Flat Washer	1	
17	H00061	Hex Head Screw M5x10, Zinc	1	
18	MCR69	Power Switch	1	
19	MCR59	Power Switch Cover	1	
20	M110	Power Cord & Plug	1	
21	M111	Strain Relief	1	
22	M00233	Female Terminal/Insulator Set	15	
23	M00334	Ground Screw/Marking Tab Set	1	
24	MB80/2	Terminal Block	1	
25	H00203	Terminal Block Mounting Screw	1	
26	MCR75	Relay	1	
27	MCR76	Relay Socket	1	
28	M00360	Relay Mounting Plate	1	
29	M026	Hub Assembly Microswitch	1	



G10 Wiring Diagram - 115, 50_60 Hz, 1PH

