

Parts Catalog



Model G12

SLICING MACHINES

MODELS: G10, G12 & G12A

07-19-11

IMPORTANT!

TO EXPEDITE SHIPMENT OF PARTS, ALWAYS SPECIFY MODEL, REV,
PART NUMBER, AND SERIAL NUMBER OF SLICER.

GLOBE FOOD EQUIPMENT COMPANY

2215 East River Road
Dayton, Ohio 45439

Parts Department

Toll Free 1-800-745-6238 • Fax (937) 290-0585

E-Mail: globeinfo@globeslicers.com

Website: www.globeslicers.com

Not for resale

TABLE OF CONTENTS

| | <u>PAGE</u> |
|---|--------------|
| <u>BASE</u> | <u>1 - 2</u> |
| <u>CHUTE COMPONENTS</u> | <u>3</u> |
| <u>ELECTRICAL COMPONENTS</u> | <u>4</u> |
| <u>AUTO DRIVE COMPONENTS</u> | <u>5 - 6</u> |
| <u>KNIFE & SHARPENER COMPONENTS</u> | <u>7</u> |
| <u>SCHEMATICS</u> | <u>8</u> |

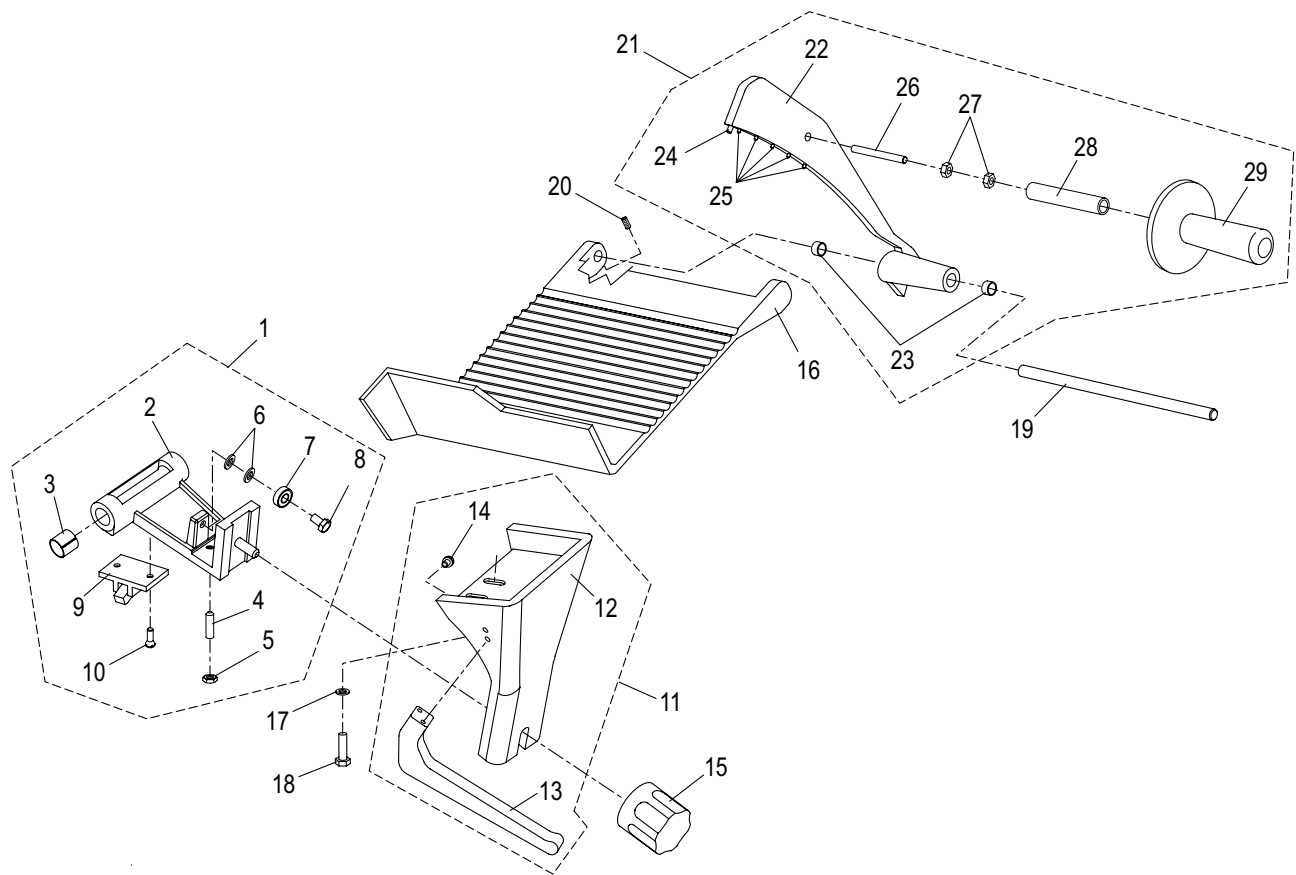
BASE PARTS LIST

| ITEM | DESCRIPTION | G10 P/N | G12 P/N | G12A P/N | QTY |
|-------|---|---------|------------------|----------|-----|
| 1 | Slicer Base | - | - | - | 1 |
| 2 | Table Adjustment Knob | | MCB28 | | 1 |
| 3 | Wavy Washer | | M003 | | 1 |
| 4 | Table Adjustment Cam | | M004 | | 1 |
| *5 | Set Screw | | M5x10 Dog Pt | | 2 |
| 6 | Table Slide Assembly (Item 6-16) | | M305 | | 1 |
| 7 | Table Slide | | M005 | | 1 |
| *8 | Set Screw | | M8x10 | | 2 |
| *9 | Stud, threaded | | M5x10 | | 1 |
| *10 | Set Screw | | M4x6 Cup Pt | | 1 |
| *11 | Stud, Threaded | | M5x20 | | 1 |
| *12 | Nut | | 5MA | | 2 |
| *13 | Nut | | D8MA | | 2 |
| *14 | Flat Washer | | D8 | | 2 |
| 15 | Stud, Cam Actuator | | M013 | | 1 |
| 16 | Rod, Table Slide | | M014 | | 1 |
| *17 | Screw, Hex Head | | M6x20 | | 2 |
| 18 | Plate, Table Slide | | M016 | | 1 |
| *19 | Screw, Cap | | M5x10 | | 2 |
| 20 | **Knife Hub Assembly, Collared Microswitch (Item 21-26) | - | - | | 1 |
| | Knife Hub Assembly, Bolted Microswitch (Item 21-27) | MC012 | M319 | | |
| *20A | Set Screw, Knife Shaft | | M6x13 Cup Pt | | 2 |
| 21 | Oil Seal | - | MR12/7 | | 1 |
| 22 | Knife Pulley | - | - | | |
| 23 | **Shaft, Knife Pulley (Knife Hub Collar) | - | - | | 1 |
| | Shaft, Knife Pulley (Switch Mtg Bolt) | - | - | | |
| 24 | Bearing | | M020 | | 2 |
| 25 | Bushing (Spacer) | - | M021 | | 1 |
| *26 | Retaining Ring, Internal | | 47mm DIN 472 | | 1 |
| *27 | Retaining Ring, External | | 20mm DIN 471 | | 1 |
| 28 | Motor Seal | | MG177/5 | | 1 |
| **29A | Collar, Knife Hub (Use with old style Shaft) | MCB61 | M025 | | 1 |
| 29B | Bolt, Microswitch Mounting | MRB21 | MCR61 | | |
| 30 | Slide Bar, Round | | M059 | | 1 |
| 31 | Spring, Slide Bar | MCR27 | M061 | | 2 |
| 32 | Screw | | M060 | | 2 |
| 33 | Wear Strip, Square Slide Bar | | M063 | | 1 |
| 34 | Slide Bar, Square | | M062 | | 1 |
| *35 | Screw | | M6x20 | | 2 |
| 36 | Table Support | M069 | | M069A | 1 |
| *37 | Flat Washer | | D8 | | 2 |
| *38 | Screw, Hex Head | | M8x30 | | 2 |
| 39 | Table | MCB3 | | M072 | 1 |
| 40 | Cover, Hole - Base | | M073 | | 1 |
| 41 | Knife Wiper | MCRB22 | | M097 | 1 |
| *42 | Thumb Screw, Knife Wiper | | M5x10 Thumbscrew | | 2 |
| 43 | Standoff | M043 | | - | 1 |
| 44 | Cover, Bottom | M113 | | M119BA | 1 |
| 45 | Foot | | M115 | | 4 |
| 46 | Knife Cover Release Knob | | MCR15/2 | | 1 |
| 47 | Label, Warning | | M91022 | | 1 |
| 48 | Label, Logo | | M91021 | | 1 |
| 49 | Data Plate (Not shown) | - | - | - | 1 |

* Standard hardware

** Collar used prior to S/Ns G10: 400245, G12: 501463 & G12A: 600127.

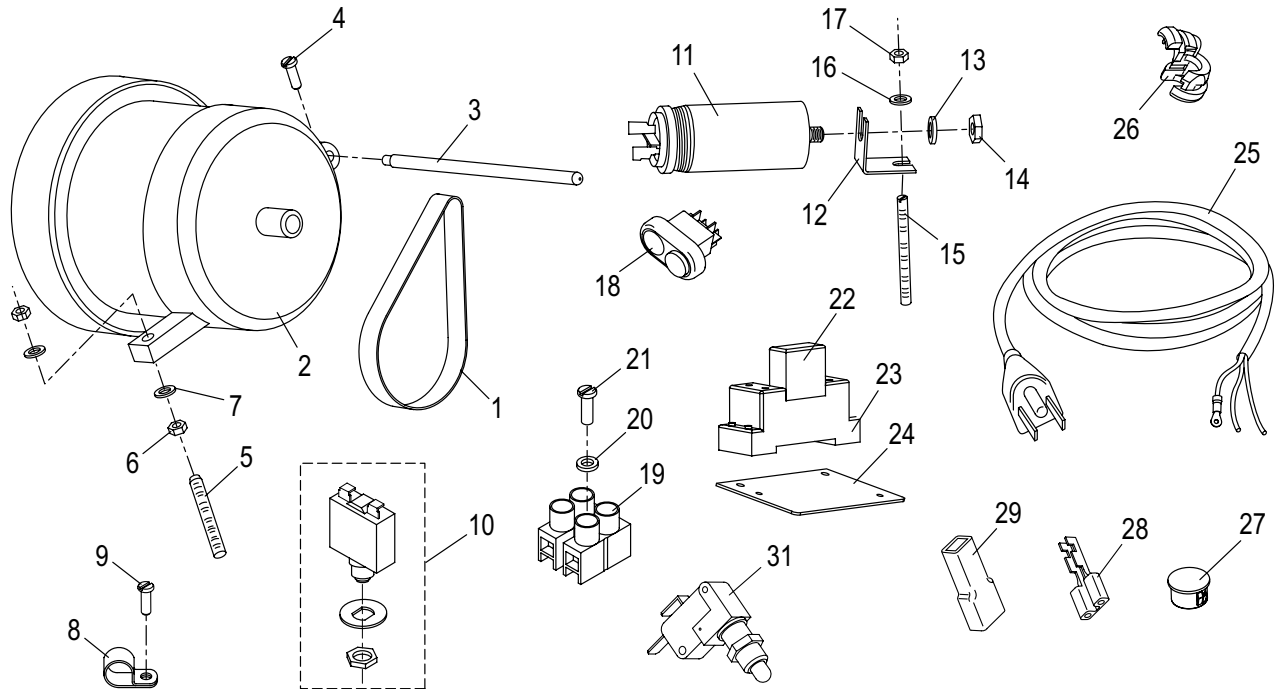
CHUTE COMPONENTS



| ITEM | DESCRIPTION | G10 P/N | G12 P/N | G12A P/N | QTY |
|------|----------------------------------|---------|--------------|----------|-----|
| 1 | Chute Slide Assembly (Item 2-8) | M352 | | MC352BA | 1 |
| 2 | Chute Slide | - | | - | 1 |
| 3 | Bushing, Chute Slide Assembly | | M057 | | 2 |
| 4 | Stud | | M053 | | 1 |
| *5 | Nut | | 8MA | | 1 |
| *6 | Flat Washer | | D8 | | 2 |
| 7 | Bearing | | M056 | | 1 |
| *8 | Screw, Hex Hd | | M8x20 TE | | 1 |
| 9 | Chute Slide Coupling | - | | M143 | 1 |
| *10 | Screw | - | | M5x15 | 2 |
| 11 | Chute Support Assembly | | M066 | | 1 |
| 12 | Chute Support | | M066-1 | | 1 |
| 13 | Handle, Chute Support | | M067 | | 1 |
| *14 | Screw, Chute Handle | | M6x12 SHCS | | 2 |
| 15 | Chute Support Knob | | MCB42 | | 1 |
| 16 | Chute | MCB6USA | | M099 | 1 |
| *17 | Flat Washer, Chute Mounting | | D8 | | 2 |
| *18 | Screw, Chute Mounting | | M8x20 Hex Hd | | 2 |
| 19 | Rod, End Weight | MCB37 | | M102 | 1 |
| *20 | Set Screw, End Weight Rod | | M5x6 Cup Pt | | 1 |
| 21 | End Weight Assembly (Item 22-29) | MC013 | MC014 | MC015 | 1 |
| 22 | End Weight | | - | | 1 |
| 23 | Bushing, End Weight | | - | | 2 |
| 24 | Spacer, End Weight | | M108 | | 1 |
| 25 | Prong, End Weight | | - | | 5 |
| *26 | Stud, Endweight Handle | | M10x100 | | 1 |
| *27 | Nut, Handle Extension | | 10MA | | 2 |
| 28 | Tube, Handle Extension | | - | | 1 |
| 29 | Handle, End Weight | | MCC40/1 | | 1 |

* Standard hardware

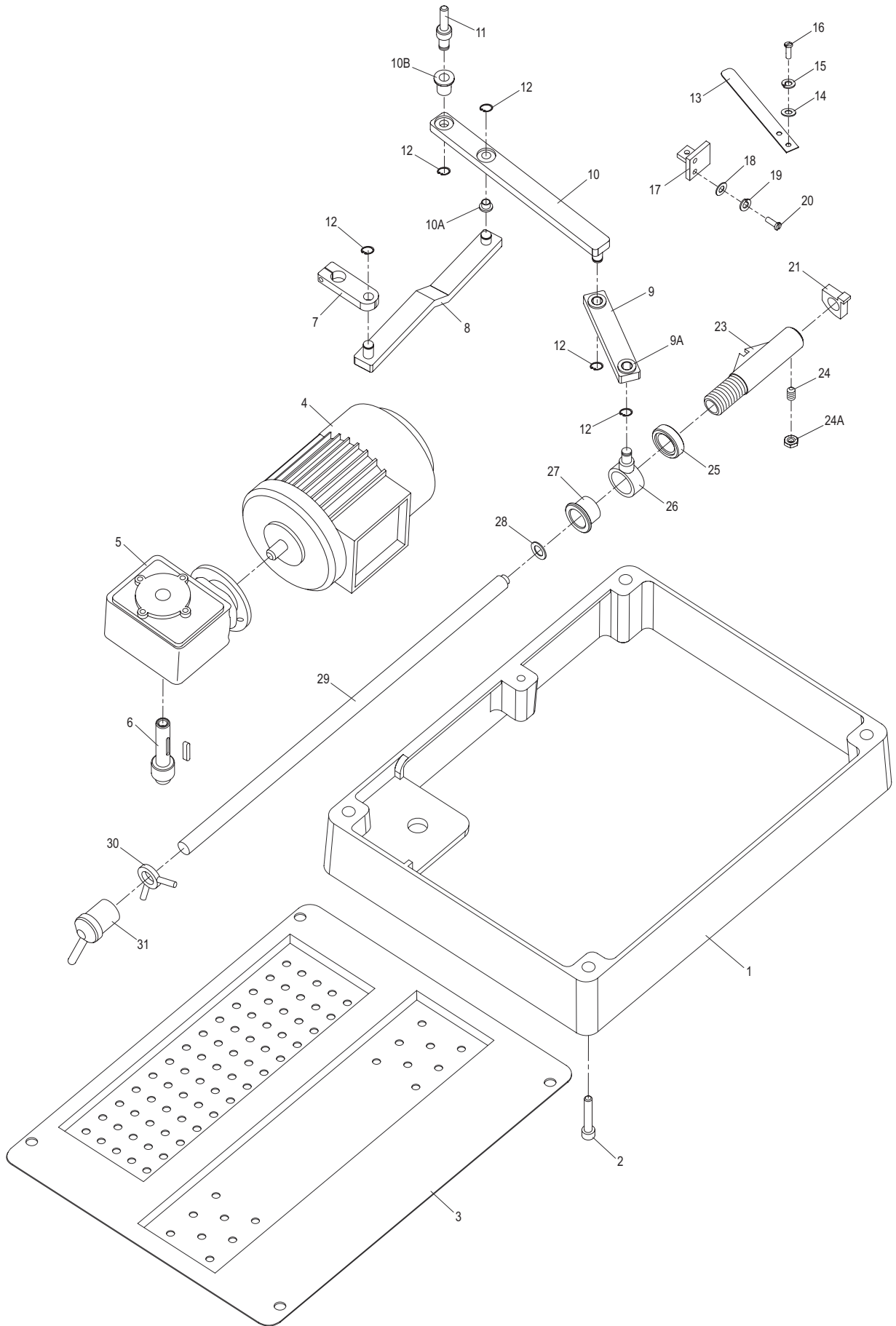
ELECTRICAL COMPONENTS



| ITEM | DESCRIPTION | G10 P/N | G12 P/N | G12A P/N | QTY |
|-------|----------------------------------|---------|------------|----------|-----|
| 1 | Drive Belt | MCC51 | M024 | | 1 |
| 2 | Knife Motor | MCR43/2 | M030 | | 1 |
| 3 | Post, Motor Pivot | | M031 | | 1 |
| *4 | Screw | | M4x10 | | 1 |
| *5 | Stud | | M6x50 | | 1 |
| *6 | Nut | | M6 | | 2 |
| *7 | Flat Washer | | D6 | | 2 |
| 8 | Cable Clamp | | M037 | | 1 |
| *9 | Screw, Cable Clamp Mounting | | M5x10 | | 1 |
| 10 | Switch, Motor Reset | | M038 | | 1 |
| 11 | Capacitor, 16 μ f | | M039 | | 1 |
| 12 | Bracket, Capacitor Mounting | | - | | 1 |
| *13 | Washer | | D8 | | 1 |
| *14 | Nut | | M8 | | 1 |
| *15 | Stud | | M5 x 60 | | 3 |
| *16 | Flat Washer | | D5 | | 3 |
| *17 | Nut | | M5 | | 1 |
| 18 | Power Switch | MCR69 | | MCB58 | 1 |
| **18A | Boot, Power Switch (not shown) | MCR59 | | MCRS59 | 1 |
| 19 | Terminal Block | | MB80/2 | | 1 |
| 20 | Flat Washer | | D6 | | 1 |
| 21 | Screw, Terminal Block Mounting | | M5 x 10 | | 1 |
| 22 | Relay | MCR75 | | MCRS75 | 1 |
| 23 | Relay Mount | MCR76 | | MCRS76 | 1 |
| 24 | Plate, Relay Mounting | | - | | 1 |
| 25 | Power Cord & Plug | | M110 | | 1 |
| 26 | Strain Relief | | M111 | | 1 |
| 27 | Hole Plug | | - | | 1 |
| *28 | Terminal, Female | | 1/4 FEM QD | | 8 |
| 29 | Terminal Insulator | | - | | 8 |
| *30 | Screw, Ground (Green, not shown) | | M5x8 | | 1 |
| 31 | Microswitch, Interlock | | M026 | | 1 |

* Standard hardware, **Starting S/N: G10 400644, G12 505875.

AUTO DRIVE COMPONENTS (G12A)

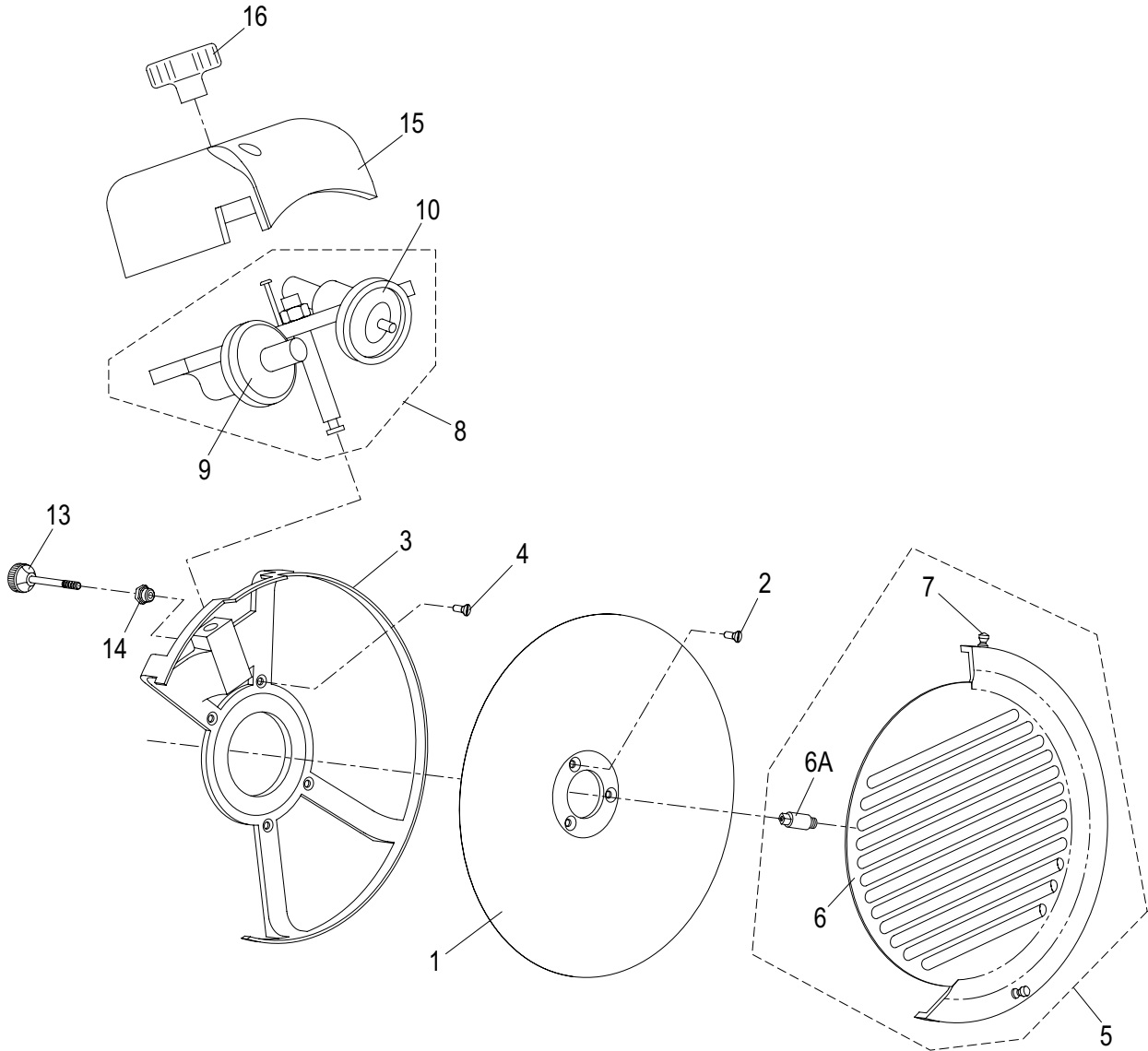


AUTO DRIVE PARTS LIST

| ITEM | DESCRIPTION | G12A P/N | QTY |
|------|-----------------------------------|-------------|-----|
| 1 | Apron | M118BA | 1 |
| 2 | Screw, Apron Mounting | M148 | 4 |
| 3 | Bottom Cover | M119BA | 1 |
| 4 | Chute Motor | M120 | 1 |
| 5 | Reducing Gear | M121 | 1 |
| 6 | Auto Drive Shaft | M129 | 1 |
| 7 | Auto Drive Coupling | M130 | 1 |
| 8 | Connecting Rod A | M131 | 1 |
| 9 | Connecting Rod B | M132 | 1 |
| 9A | Bushing | M137 | 2 |
| 10 | Connecting Rod C | M133 | 1 |
| 10A | Bushing | M137 | 1 |
| 10B | Bushing | MCRS8 | 1 |
| 11 | Pivot | M144 | 1 |
| *12 | Retaining Ring | 9mm DIN 471 | 5 |
| 13 | Engagement Spring | M134 | 1 |
| *14 | Flat Washer | D5 | 2 |
| *15 | Lock Washer | M5 | 2 |
| 16 | Screw, Engagement Spring Mtg | M017 | 2 |
| 17 | Mounting Brkt, Engagement Spring | M135 | 1 |
| *18 | Flat Washer | D5 | 2 |
| *19 | Lock Washer | M5 | 2 |
| *20 | Screw, Engagement Spring Mtg Brkt | M5x15 | 2 |
| 21 | Cam | M136 | 1 |
| *22 | Set Screw, Cam (Not shown) | M5x6 Cup Pt | 1 |
| 23 | Tube, Chute Slide | M122 | 1 |
| 24 | Stud, Chute Slide | M126 | 1 |
| *24A | Jam Nut | M10x1.25 | 1 |
| 25 | Nut, Chute Slide (Nylon) | M123 | 1 |
| 26 | Ring, Actuator Slide | M124 | 1 |
| 27 | Bushing, Chute Slide | M125 | 1 |
| 28 | Wavy Washer | M145 | 1 |
| 29 | Rod, Chute Slide | M127 | 1 |
| 30 | Stop Ring | M147 | 1 |
| 31 | Lever, Auto Engage | M128 | 1 |

* Standard hardware

KNIFE AND SHARPENER COMPONENTS



| ITEM | DESCRIPTION | G10 P/N | G12 P/N | G12A P/N | QTY |
|------|---|----------|-----------|----------|-----|
| 1 | Knife | MCB13 | M047 | | 1 |
| *2 | Screw, Flat Hd | | M5x14 TSC | | 3 |
| 3 | Knife Rim Guard | MCRB14/1 | M044 | | 1 |
| *4 | Screw, Rim Guard Mounting | - | M4x10 | | 3 |
| 5 | Knife Cover Assembly (Items 6 - 7) | MCR4/1 | M349 | | 1 |
| 6 | Knife Cover | | - | | 1 |
| 6A | Stud, Knife Cover | - | M049A | | 1 |
| 7 | Knife Cover Knob | | MC003 | | 2 |
| 8 | Knife Sharpener Assembly | | MC017 | | 1 |
| 9 | Deburring Stone | | M092 | | 1 |
| 10 | Sharpening Stone | | MCC17 | | 1 |
| *11 | Flat Washer, Stone Mounting (Not Shown) | | D6 | | 2 |
| *12 | Jam Nut, Stone Mounting (Not Shown) | | M6 | | 4 |
| 13 | Knob, Sharpener Adjustment | | M096 | | 1 |
| 14 | Stud, Knife Ring Guard | | M045 | | 1 |
| 15 | Sharpener Cover | | M074 | | 1 |
| 16 | Knob, Sharpener Cover | | M075 | | 1 |

* Standard hardware

WIRING DIAGRAMS - 115V, 50/60/Hz, 1 PH

