

# Parts Catalog



**G14 Slicer**

## SLICING MACHINE

MODEL: G14

01-11-16N

Serial Number 900341 and Up

IMPORTANT!

TO EXPEDITE SHIPMENT OF PARTS, ALWAYS SPECIFY MODEL, REV,  
PART NUMBER, AND SERIAL NUMBER OF SLICER.

### GLOBE FOOD EQUIPMENT COMPANY

2215 East River Road

Dayton, Ohio 45439

#### Parts Department

Toll Free 1-800-745-6238 • Fax (937) 290-0585

E-Mail: [info@globefoodequip.com](mailto:info@globefoodequip.com)

Website: [www.globefoodequip.com](http://www.globefoodequip.com)

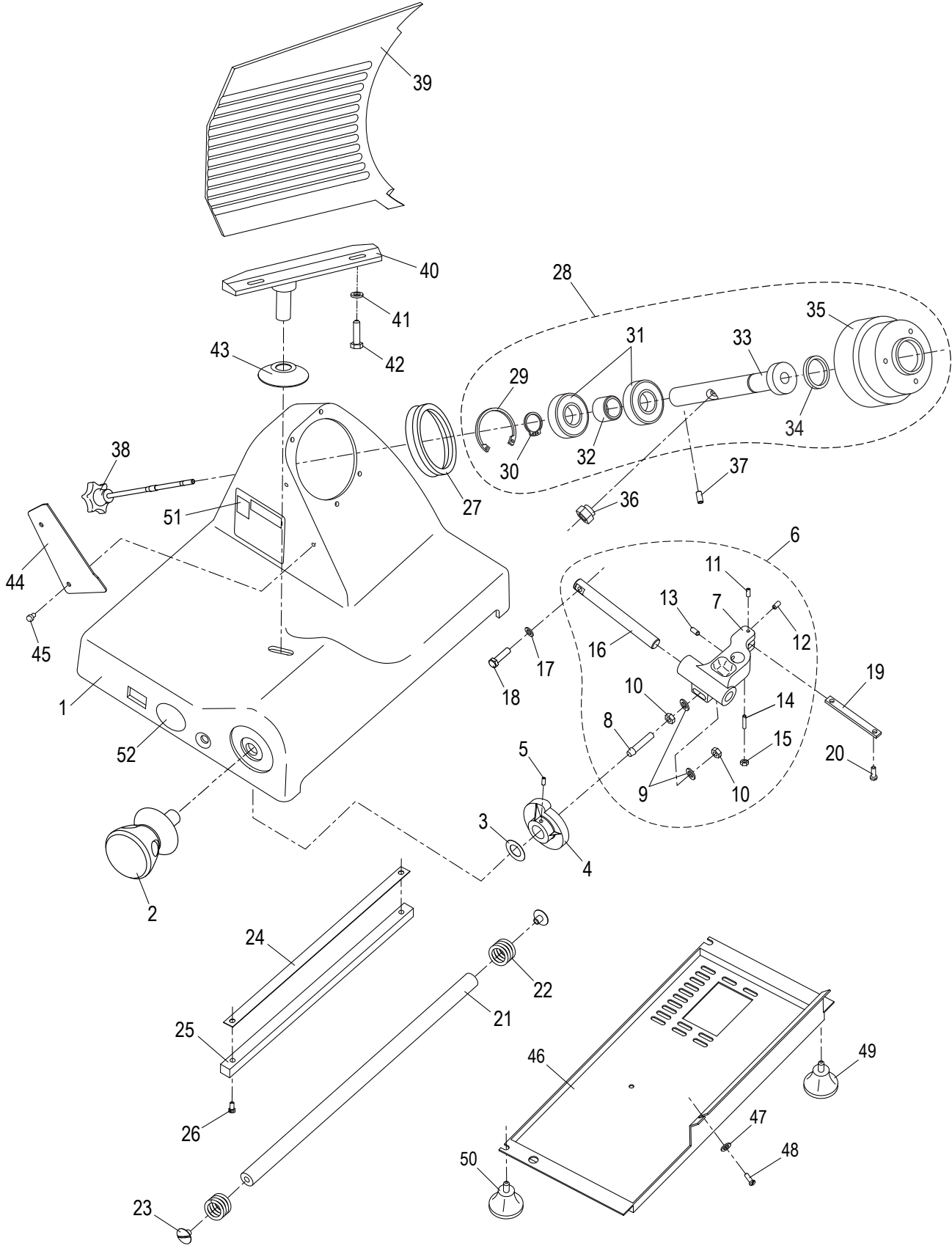
Not for resale



# TABLE OF CONTENTS

Serial Number 900341 and Up	Page
Base Components	1 - 2
Chute Components	3
Knife & Sharpener Components	4
Electrical Components	5
Wiring Diagram	6

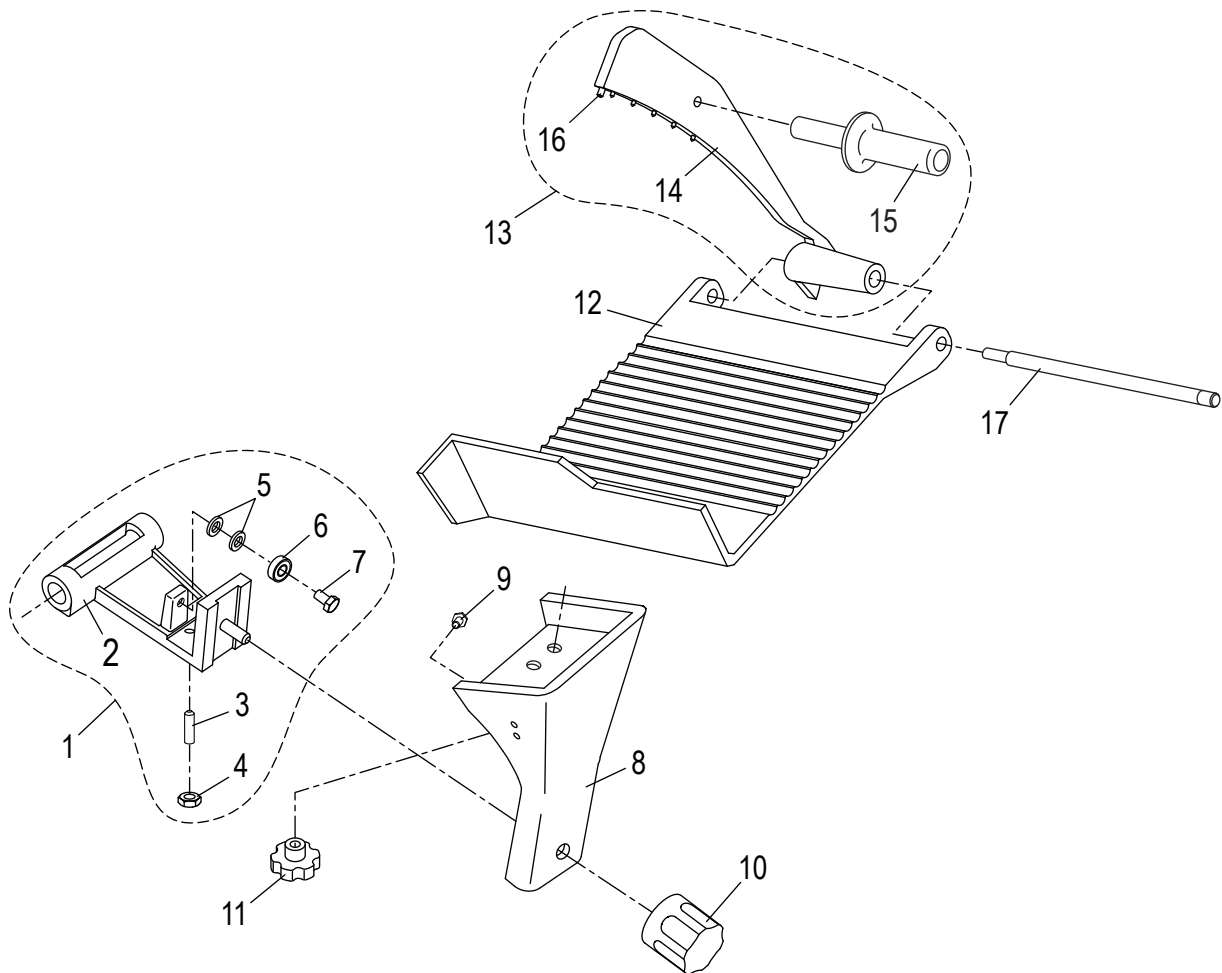
# G14 BASE COMPONENTS



# G14 BASE PARTS LIST

Item	Description	Qty	Part Number	Hardware
1	Slicer Base	1	-	
2	Table Adjustment Knob	1	M00209	
3	Wave Washer	1	M003	
4	Table Adjustment Cam	1	M004	
5	Table Adjustment Cam Set Screw	2	H00181	
6	Table Slide Assembly (Items 8-17)	1	M305	
7	Table Slide	1	-	
8	Stud, Cam Actuator	1	M013	
9	Flat Washer	2	H00191	
10	Hex Nut, Table Slide Bottom	2	H00192	
11	Set Screw, Table Slide Top	1	H00182	
12	Set Screw, Table Slide End	1	H00185	
13	Set Screw, Table Slide Side	2	H00186	
14	Set Screw, Table Slide Bottom	1	H00188	
15	Hex Nut , Table Slide Bottom	1	H00028	
16	Table Slide Rod	1	MR36	
17	Slide Rod Flat Washer	2	H00191	
18	Slide Rod Screw, Hex Head	2	H00116	
19	Table Slide Plate	1	M016	
20	Slide Plate Screw	2	H00061	
21	Carriage Slide Rod	1	M00242	
22	Carriage Spring	2	M00243	
23	Slide Rod Screw	2	ME25	
24	Wear Strip, Slide Bar	1	ME31/1	
25	Slide Bar, Square	1	M00244	
26	Slide Bar Screw	2	H00056	
27	Motor Hub Seal	1	M00245	
28	Knife Hub Assembly (Items 30-36)	1	M0246	
29	Retaining Ring, Internal	1	H00193	
30	Retaining Ring, External	1	H00195	
31	Bearing	2	M020	
32	Spacer, Knife Pulley	1	M00249	
33	Shaft, Knife Hub	1	M00248	
34	Oil Seal, Hub	1	MS12/7	
35	Pulley, Knife Hub	1	M00247	
36	Microswitch Mounting Bolt	1	MCR61	
37	Knife Shaft Set Screw	1	H00184	
38	Knife Cover Release Knob	1	M00250	
39	Table	1	M00251	
40	Table Support	1	M00252	
41	Table Support Washer	2	H00191	
42	Table Support Screw	2	H00196	
43	Hole Cover, Base	1	M00228	
44	Knife Wiper	1	MS22	
45	Thumb Screw, Knife Wiper	2	MCC23	
46	Bottom Cover	1	MS64	
47	Cover Washer	1	H00063	
48	Cover Mounting Screw	1	H00061	
49	Back Foot	2	M115	
50	Front Foot	2	M00229	
51	Warning label	1	M91022	
52	Label, Globe Logo	1	M91021	

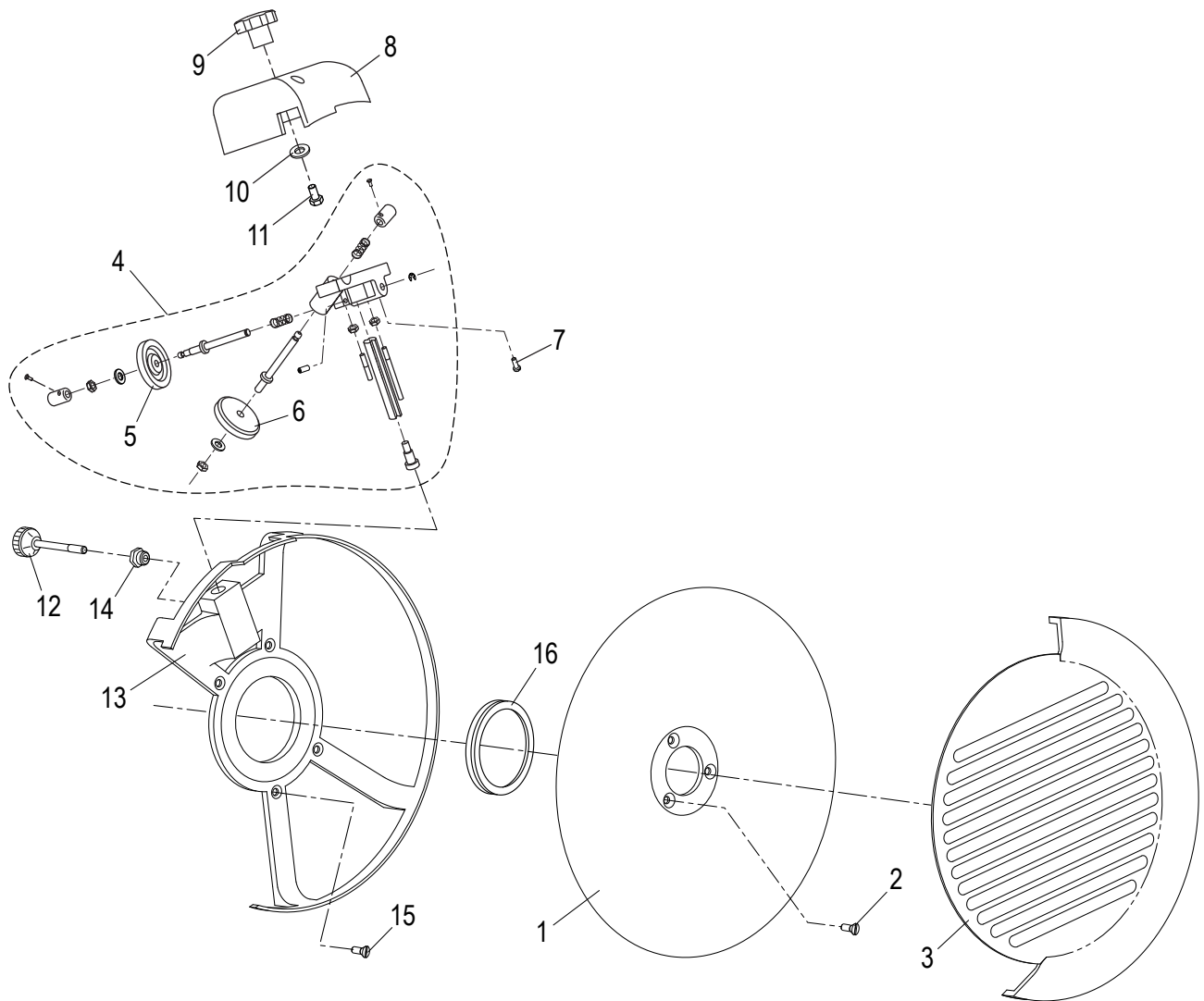
# G14 CHUTE COMPONENTS



Item	Description	Qty	Part Number	Hardware
1	Chute Slide Assy (Item 2 - 9)	1	M00290	
2	Chute Slide	1	-	
3	Brass Stud	1	MS30	
4	Stud Nut	1	H00192	
5	Bearing Washer	2	H00191	
6	Bearing	1	M056	
7	Bearing Screw	1	H00117	
8	Chute Support	1	M00293	
9	Chute Support Handle Screw	2	H00156	
10	Chute Support Knob	1	M00268	
11	Chute Release Knob	1	M00254	
12	Chute	1	M00294	
			*M01068	
13	End Weight Assembly (Item 14 - 16)	1	M00391	
			*M01069	
14	End Weight	1	-	
15	End Weight Handle	1	M00261	
16	End Weight Bumper	1	MC39	
			*M01070	
17	End Weight Rod	1	M00283	
			*M01071	

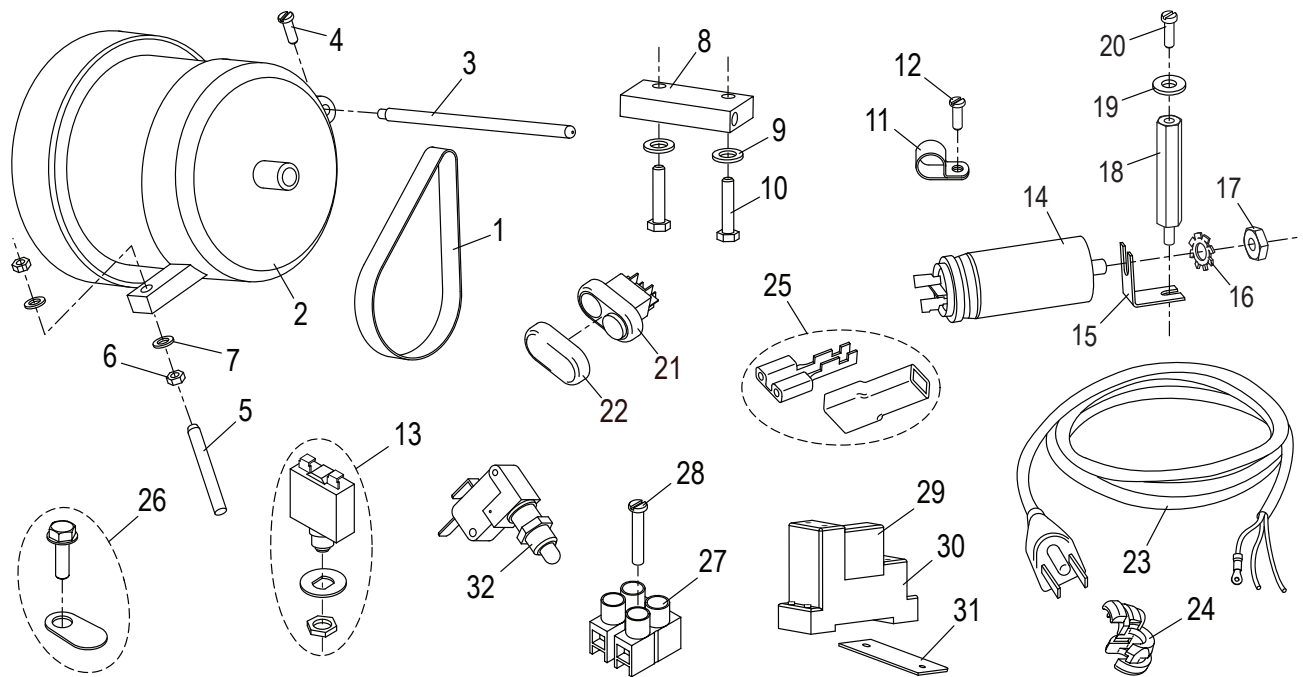
\* Use after Serial Number 901213

# G14 KNIFE AND SHARPENER COMPONENTS



Item	Description	Qty	Part Number	Hardware
1	Knife	1	MG13	
2	Screw, Knife Mounting	3	H00201	56-A
3	Knife Cover	1	M00332	
4	Knife Sharpener Assembly	1	MC17A	
5	Deburring Stone	1	M092	
6	Sharpening Stone	1	MCC17	
7	Sharpener Cover Screw	2	H00187	M5 x 0.8 x 15mm
8	Sharpener Cover	1	M074	
9	Sharpener Cover Knob	1	M075	
10	Flat Washer	1	M035	
11	Screw, Sharpener Cover Knob	1	H00197	M6 x 16mm - Zinc
12	Sharpener Release Knob	1	M096	
13	Knife Rim Guard	1	MS14/1	
14	Insert, Knife Rim Guard	1	M045	
15	Screw, Rim Guard	4	H00435	
16	V Ring, Knife Seal VA 90	1	MS77/5	

# G14 ELECTRICAL COMPONENTS



Item	Description	Qty	Part Number	Hardware
1	Drive Belt	1	MS51	
2	Knife Motor	1	MS43/1	
3	Post, Motor Pivot	1	MB52/1	
4	Screw	1	H00189	
5	Threaded Rod	1	M033	
6	Hex Nut	2	M034	
7	Flat Washer	2	M035	
8	Motor Mounting Block	1	M00356	
9	Mounting Block Washer	1	H00063	
10	Mounting Block Screw	2	H00357	
11	Cable Clamp	1	M037	
12	Screw, Cable Clamp	1	H00061	
13	Switch, Motor Reset	1	MK7004	
14	Capacitor, 16 $\mu$ f	1	MB54/3	
15	Bracket, Capacitor Mounting	1	-	
16	Lock Washer	1	H00335	
17	Hex Nut	1	H00192	
18	Standoff, Cover Spacer	1	M00361	
19	Cover Washer	1	M035	
20	Cover Mounting Screw	1	H00061	
21	Power Switch	1	MCR69	
22	Cover, Power Switch	1	MCR59	
23	Power Cord & Plug	1	M110	
24	Strain Relief	1	M111	
25	Terminal & Insulator Set	15	M00233	
26	Ground Screw/Marking Tab Set	1	M00334	
27	Terminal Block	1	MB80/2	
28	Terminal Block Mounting Screw	1	H00203	
29	Relay	1	MCR75	
30	Relay Socket	1	MCR76	
31	Relay Mounting Plate	1	M00360	
32	Hub Assembly Microswitch	1	M026	



# WIRING DIAGRAM - 115V, 50/60/Hz, 1 PH

