

Parts Catalog



S13A

S-Series Slicer Standard Automatic Frozen Option

Model: S13A

05/30/2017 Rev. J

IMPORTANT!

TO EXPEDITE SHIPMENT OF PARTS, ALWAYS SPECIFY MODEL, REV,
PART NUMBER, AND SERIAL NUMBER OF UNIT.

GLOBE FOOD EQUIPMENT COMPANY

2215 East River Road
Dayton, Ohio 45439

Parts Department

Toll Free 1-800-745-6238 · Fax (937) 290-0585

E-Mail: info@globefoodequip.com

Website: www.globefoodequip.com

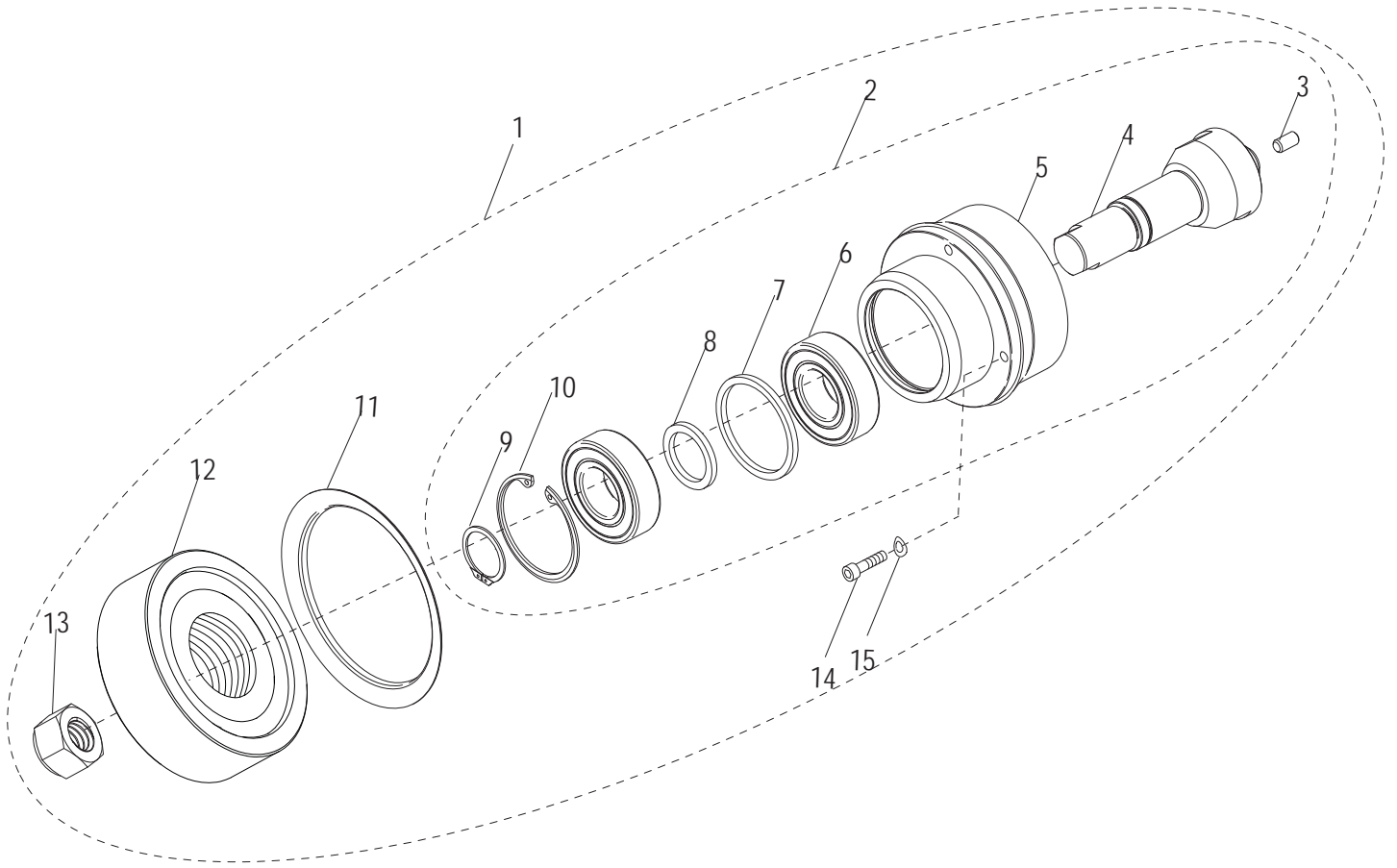
Not for resale

Table of Contents

Description	Page
Knife Drive Assembly Components	4
Index Knob Components	6
Base Shroud Components	8
Gauge Plate Components	10
Auto Engage Lever Components	12
Index Slide Assembly Components	14
Ring Guard Assembly Components	16
Electrical Base Components	18
Knife Drive Motor Components	20
Transport Arm Assembly Components	22
Automatic Drive Assembly Components	28
Automatic Lift Lever Base Components	28
Carriage and End Weight Assembly Components	30
Knife and Knife Cover Components	32
Dummy Sharpener Assembly	34
Wiring Schematic	36



Knife Drive Assembly Components



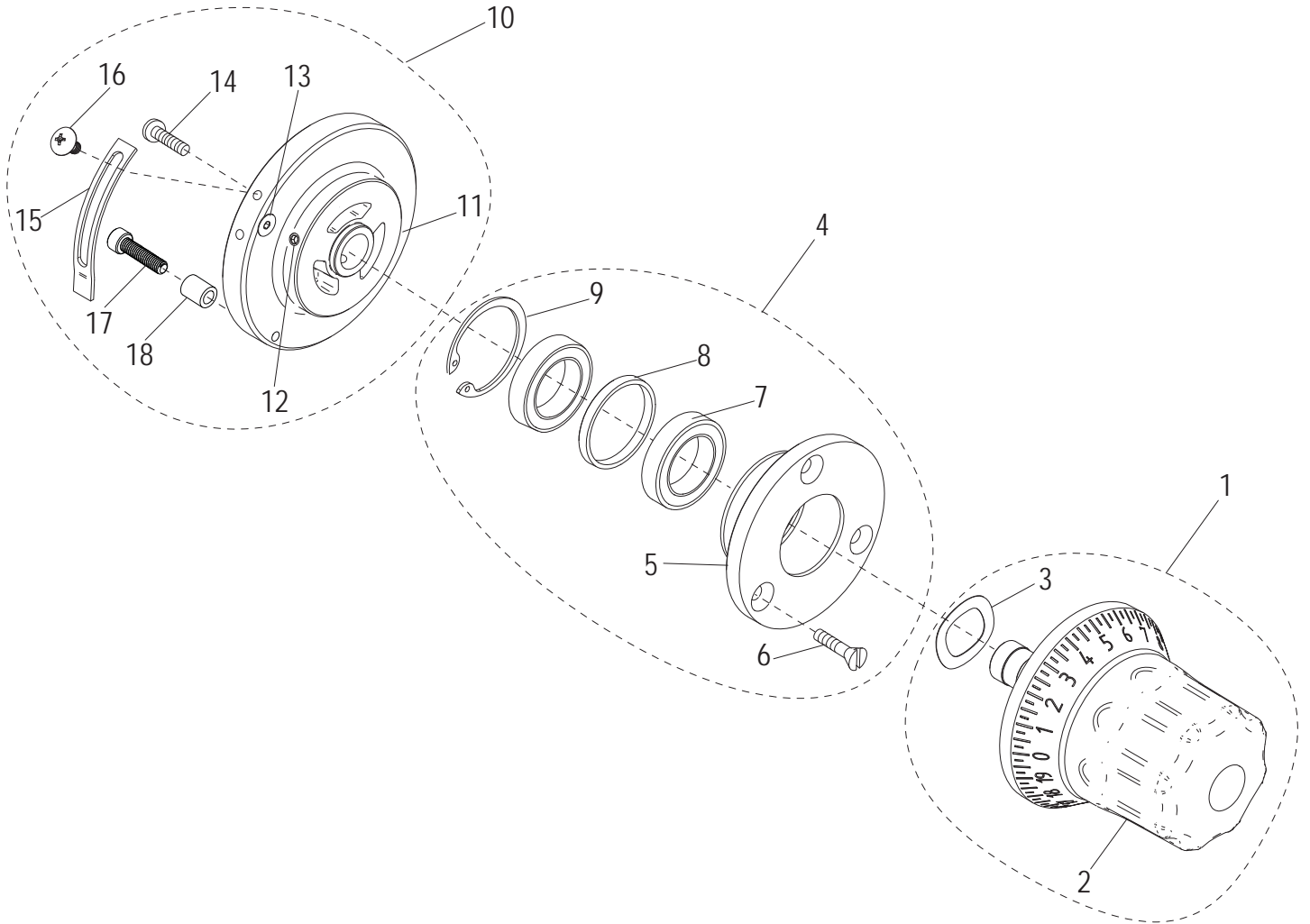


Knife Drive Assembly Components

Item	Part Number	Description	Qty	Serial Number
1	450216	Frozen Knife Drive Kit (Incl. items 2-15)	1	
2	420088	Knife Drive Bearing Assembly (Incl. items 3-10)	1	
3		Knife Cover Bumper	1	
4		Shaft, Knife Drive	1	
5		Knife Drive Bearing Mount	1	
6		Ball Bearing, Sealed	2	
7		Outer Ring, Bearing Spacer	1	
8		Inner Ring, Bearing Spacer	1	
9		Retaining Ring 5101-98 Bowed External	1	
10		Retaining Ring N5002-200	1	
11	520244	Knife Drive Boot	1	
12	450193	Knife Drive Pulley	1	
13	510033	Nut 7/8-20 Hex (Zinc)	1	
14	810229	Socket Hd. 1/4-20x3/4 Cap Screw, SST	4	
15	810275	Bellville Disc Spring Washer .255 ID x .50 OD	4	



Index Knob Components



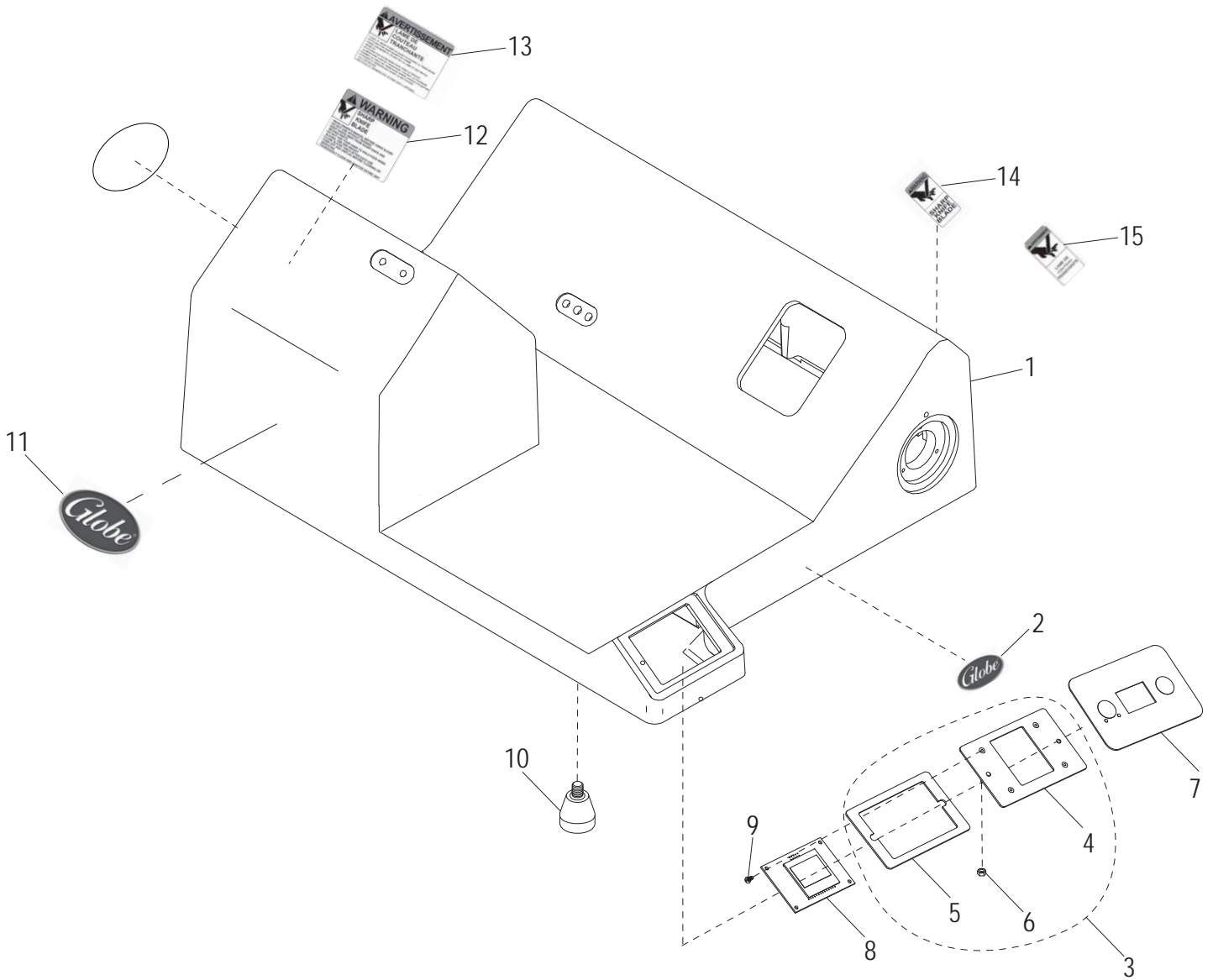


Index Knob Components

Item	Part Number	Description	Qty	Serial Number
1	500044	Index Knob Assembly (Incl. items 2-3)	1	
2	500022	Index Knob	1	
3	800136	Index Knob Tension Spring	1	
4	450214	Index Bearing Hub Assembly Kit (Incl. items 5-9)	1	
5		Index Knob Bearing Hub	1	
6	800104	Mach. Screw #10-24x5/8 Flat Hd Slotted	3	
7		Index Knob Bearing	2	
8		Spacer, Index Bearing	1	
9		Beveled Retaining Ring	1	
10	500053	Index Cam with Stop Assembly (Incl. items 11-18)	1	
11	520350	Index Cam	1	
12		Set Screw 1/4-28x5/8,18-8 Cup Pt. (SST)	3	
13		Socket Cap Screw #10-32x3/4 Flat Hd (SS)	1	
14	800105	Socket Cap Screw #10-32x5/8 Button-Hd	1	
15	300054	Cam Stop	1	
16	800138	Button Hd Cap Screw #10-32 x 3/8 SST	2	
17	800155	Socket Cap Screw 10-32 x 3/4 Hd (SST)	1	
18	810005	Spacer #10 Screw	1	



Base Shroud Components



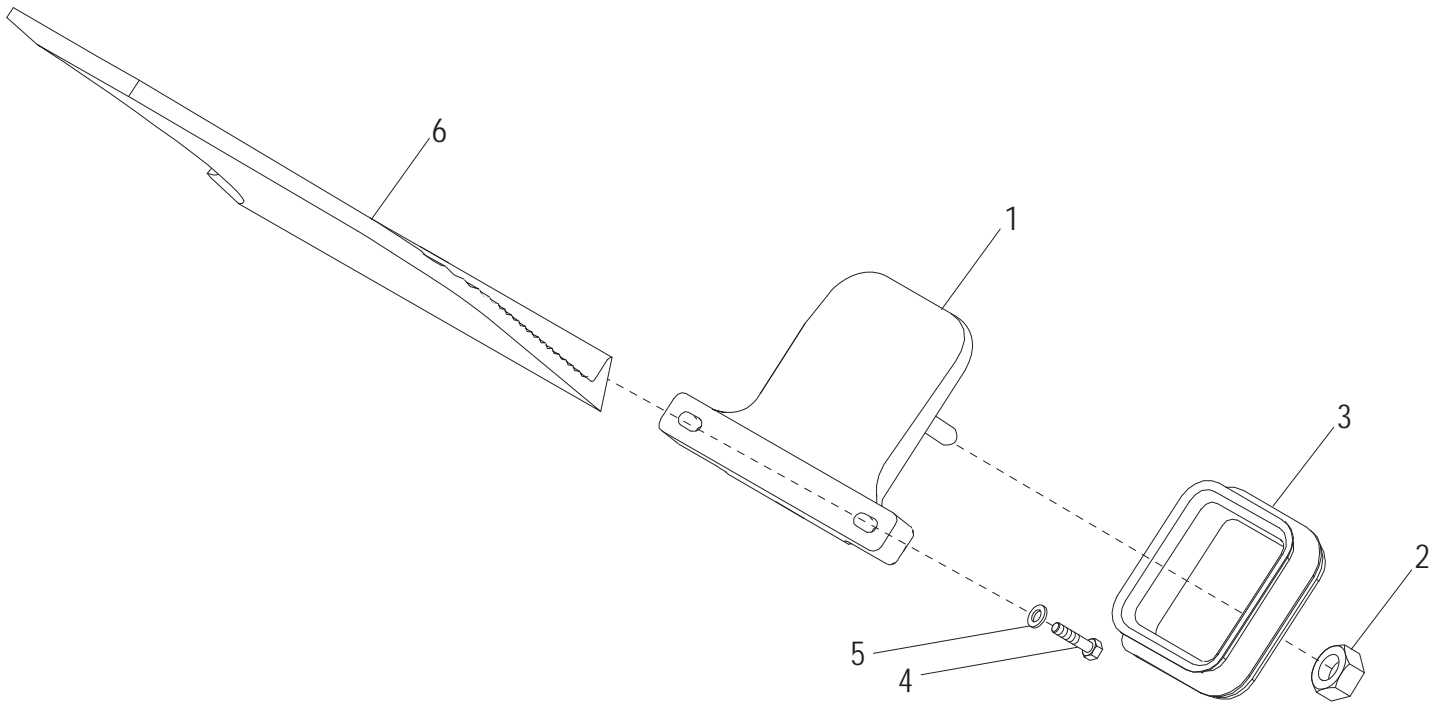


Base Shroud Components

Item	Part Number	Description	Qty	Serial Number
1		Slicer Base	1	
2	871-2	Globe Logo Decal 3.5"	1	
3	300122	User Interface Panel Assembly (Incl. items 4-6)	1	
4	300102	User Interface Panel	1	
5	510035	User Interface Panel Gasket	1	
6	810422	Nylon Locknut 6-32	2	
7	910192	Membrane Switch, Smart Manual	1	
8	121062	Display Assembly	1	
9	810423	Mach. Screw #4-40 x 1/4, 18-8 PH Cr (SST)	4	
10	510031	Slicer Foot	4	
11	920202	Globe Logo Decal, S-Series	2	
12	920200	Warning Label, Large	1	
13	920198	Warning Label, Large French	1	
14	920201	Warning Label, Small	1	
15	920199	Warning Label, Small French	1	



Gauge Plate Components



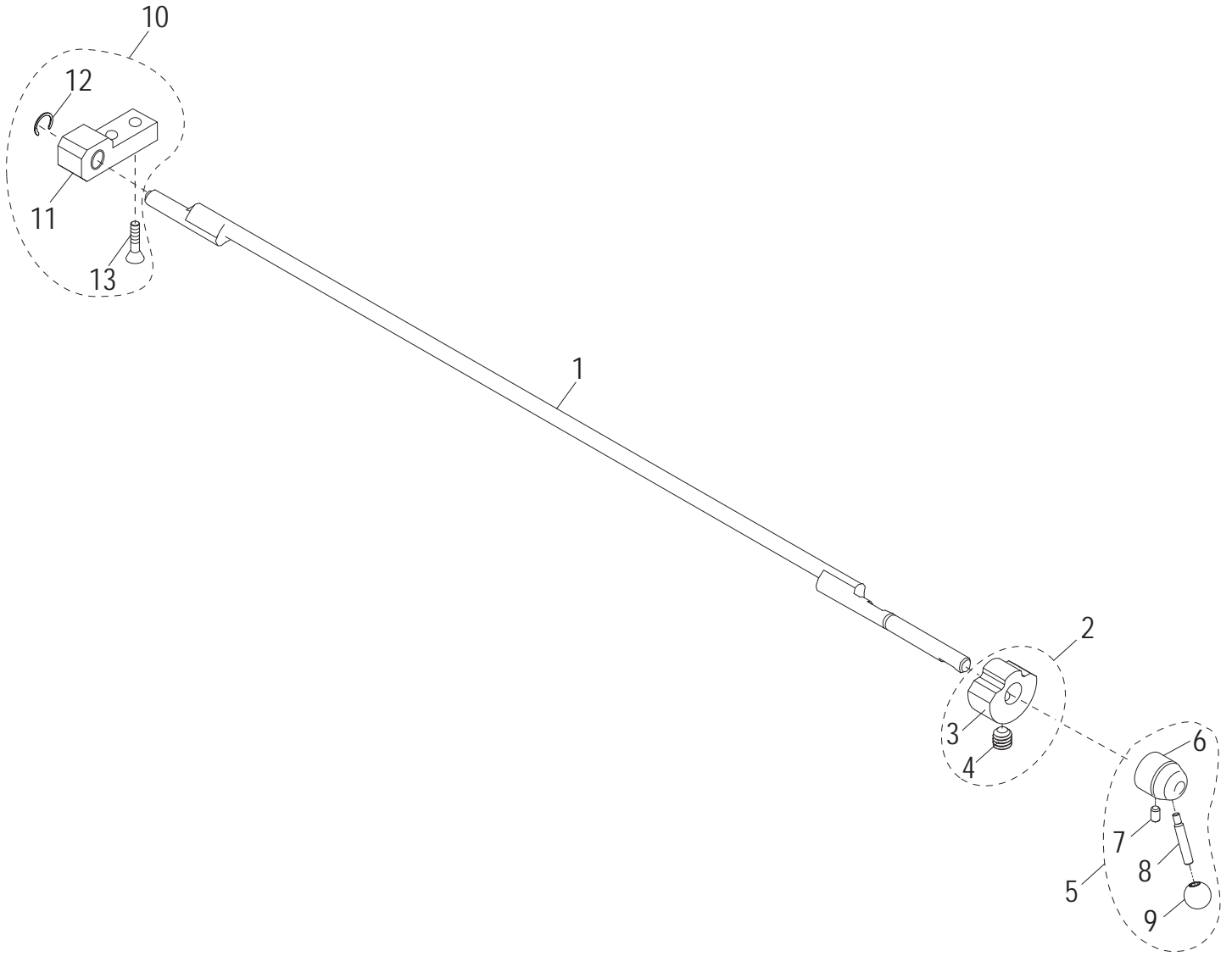


Gauge Plate Components

Item	Part Number	Description	Qty	Serial Number
1	450212	Gauge Plate Base Assembly	1	
2	450054	Post Nut, Gauge Plate Ball Joint	1	
3	500001	Gauge Plate Seal	1	
4	890411	Cap Screw 3/8-16x1-1/2, Hex Hd with Nylon Patch	2	
5	870030	Flat Washer, Steel, Fits Screw	2	
6	450070	Gauge Plate	1	



Auto Engage Lever Components



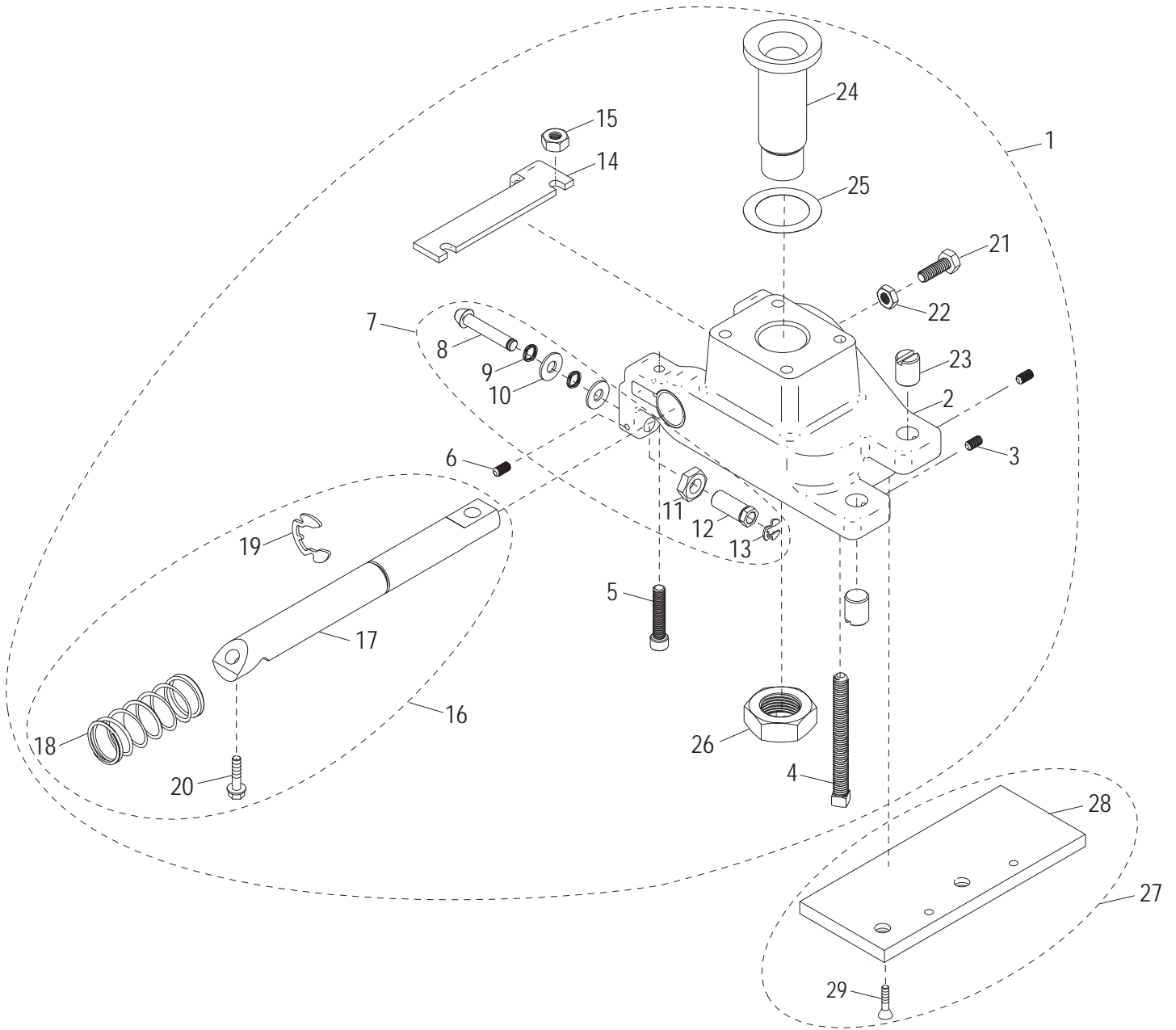


Auto Engage Lever Components

Item	Part Number	Description	Qty	Serial Number
1	400021	Auto Engage Assembly Bar	1	
2	400038	Position Block Assembly (Incl. items 3-4)	1	
3		Auto Engage Position Block	1	
4		Socket Set Screw 1/4-20x1/4,18-8 Cup Pt. (SST)	1	
5	500029	Auto Engage Lever Assembly (Incl. items 6-9)	1	
6		Auto Engage Lever Hub	1	
7		Set Screw 1/4-20x.42 Cup Point	1	
8		Handle Shaft	1	
9		Auto Engage Handle Knob	1	
10	400126	Bearing Block Assembly Kit (Incl. items 11-13)	1	
11		Bearing Block Assembly	1	
12	810429	Retaining Ring, 5304-31 (Klipring)	1	
13	810003	Screw 1/4-20x3/4 Crossed Rec., Flat Hd, Tapping	2	



Index Slide Assembly Components





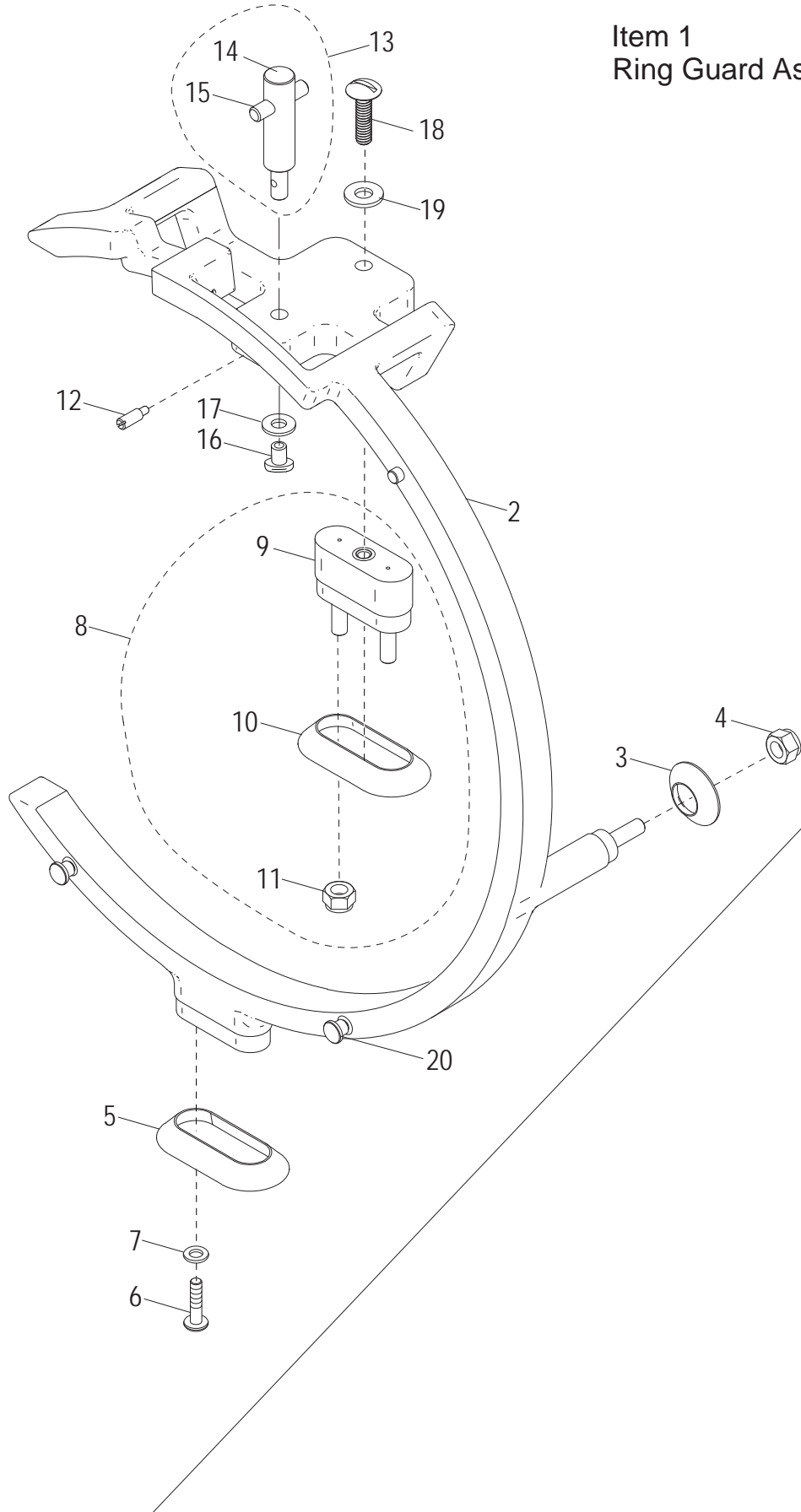
Index Slide Assembly Components

Item	Part Number	Description	Qty	Serial Number
1	400140	Index Slide Kit (Incl. items 1-26)	1	
2		Index Slide with Bushings	1	
3	810400	Set Screw #10-32x3/8 Cup Pt.	2	
4	800146	Set Screw 5/16-18x3 Sq. Hd Cup Point	4	
5	800144	Cap Screw 1/4-28x1-1/4 Socket Hd	2	
6	800091	Set Screw #8-32 x 3/16 Knurled Grip - Cup Pt.	1	
7	400121	Cam Follower Kit (Incl. items 8-13)	1	
8		Follower	1	
9		Wave Spring Cam Follower	2	
10		Flat Washer .266 ID, .625 OD Type A	1	
11	890390	Jam Nut 3/8-24 Sharpener Wheel	1	
12		Follower Adjustment Post	1	
13	810379	Retaining Clip Ring 5304-18	1	
14		Cam Stop Bracket	1	
15	800145	Nut 1/4-28 Hex	2	
16	400122	Index Slide Shaft Kit (Incl. items 17-20)	1	
17		Index Slide Shaft	1	
18		Index Spring	1	
19	800152	Retaining Ring (Klipring) 5304-75	1	
20	800058	Washer 5/16-18-1 Hex Hd Tapping Screw	2	
21	810431	Cap Screw 1/4-20 x 3/4 Hex Hd	1	
22	810432	Nut, Thin 1/4-20 Hex	1	
23	450057	Screw, Anti-Rotation	2	
24	450050	Ball Joint Rest	1	
25	800168	Gauge Plate Spacer Kit (Kit of 4)	1	
26	800043	Nut 7/8-14 UNF Hex Jam	1	
27	400128	Anti-Rotation Plate Kit (Incl. items 28-29)	1	
28		Anti-Rotation Plate	1	
29	810003	Screw 1/4-20x3/4 Crossed Rec., Flat Hd, Tapping	2	



Ring Guard Assembly Components

Item 1
Ring Guard Assembly



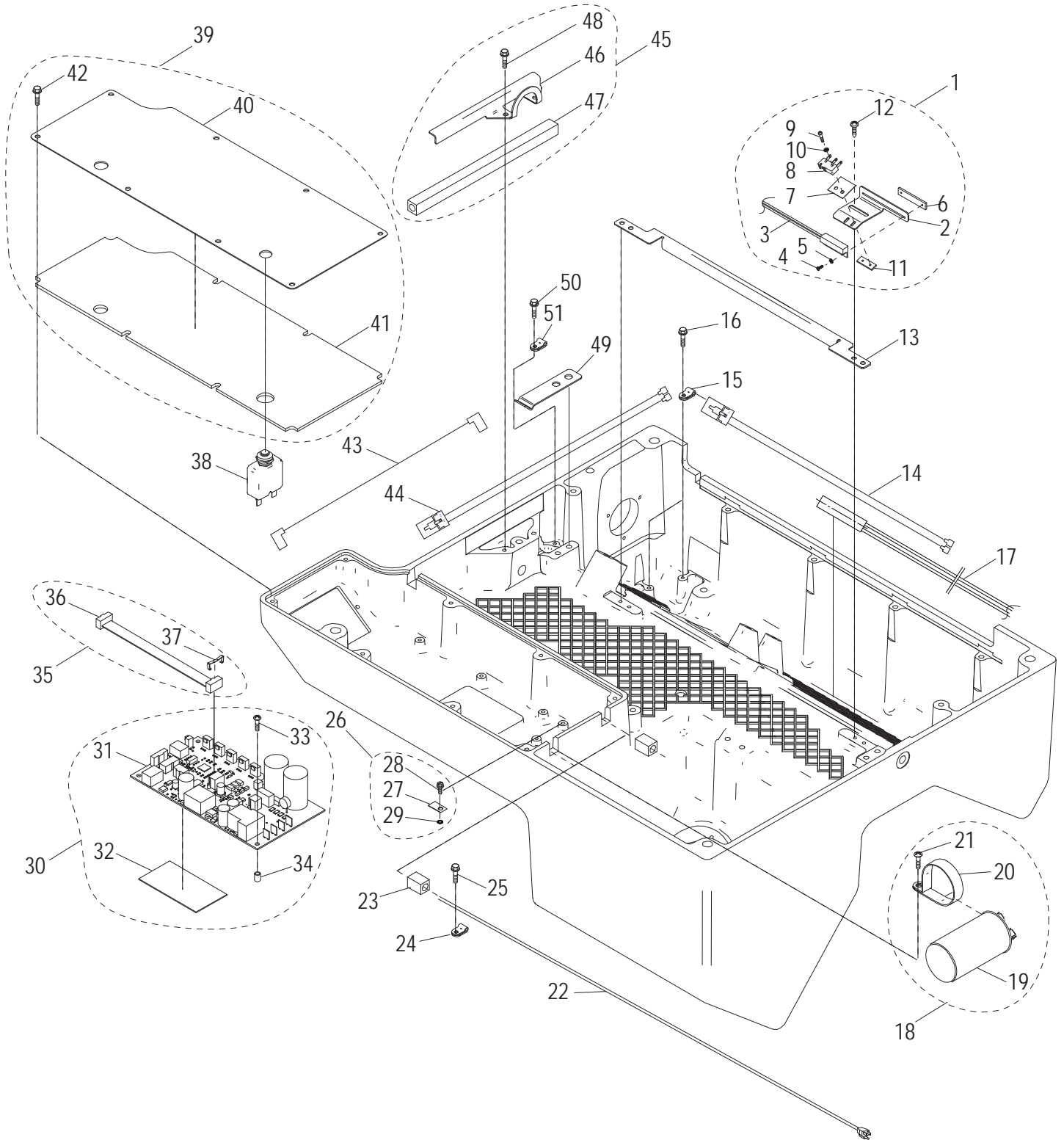


Ring Guard Assembly Components

Item	Part Number	Description	Qty	Serial Number
1	500047	Ring Guard Assembly Kit (Incl. items 2-20)	1	
2	520316	Ring Guard	1	
3	520243	Round Boot, Ring Guard	1	
4	810438	Nylon-Insert Nut 1/4-20 Grade 5 Stl Zinc Plated	1	
5	520242	Oval Boot, Ring Guard	1	
6	810358	Mach. Screw 1/4-20x1 Truss Hd	2	
7	810345	Flat Washer 1/4 Screw Thread (18-8 SST)	2	
8	450213	Ring Guard Spacer Assembly (Incl. items 9-11)	1	
9	460064	Spacer, Ring Guard	1	
10	520242	Oval Boot, Ring Guard	1	
11	810438	Nylon-Insert Nut 1/4-20 Grade 5 Stl Zinc Plated	2	
12	810347	Slotted Set Screw 10-32 custom	1	
13	450131	Sharpener Mount Assembly (Incl. items 14-15)	1	
14		Sharpener Mounting Shaft	1	
15		Dowel Pin, Alloy Stl, 1/4 Dia x 1-1/8 Long	1	
16	810305	Mach. Screw 10-32x1/4	1	
17	800076	Washer #10 Flat (18-8 SST)	1	
18	810358	Mach. Screw 1/4-20x1 Truss Hd	1	
19	810345	Flat Washer 1/4 Screw Thread (18-8 SST)	1	
20	450130	Locator Pin	2	



Electrical Base Components



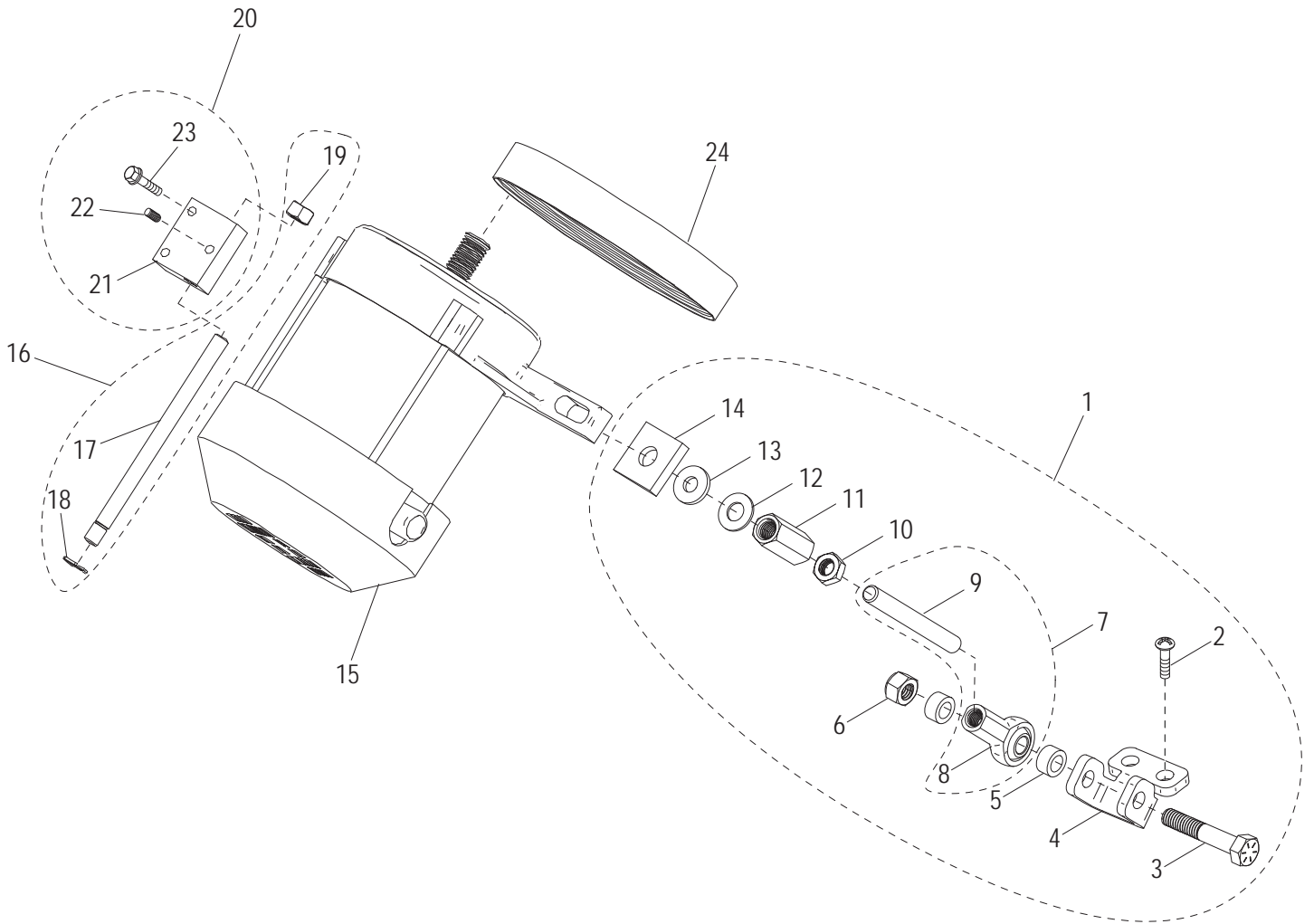


Electrical Base Components

Item	Part Number	Description	Qty	Serial Number
1	121084	Cut/Auto Sensor Kit (Incl. items 2-12)	1	
2		Cut/Auto Engage Sensor Mount	1	
3		Sensor, Reed Switch, Cut Sensor	1	
4		Mach. Screw #1-64x1/4, 18-8 Pan Hd. Phillips (SST)	2	
5		Lock Washer #2 Internal Tooth	2	
6		Nut Plate	1	
7		Micro Switch Insulator	1	
8		Micro Switch, Pin Action	1	
9		Mach. Screw #2-56x7/16 Pan Hd. Phillips	2	
10		Lock Washer #2 Internal Tooth	2	
11		Nut Plate	1	
12	800069	Screw #8-32x3/8 Cross Rec. Pan Hd. Tapping	4	
13	310208	Inner Wireway Cover	1	
14	100122	Wiring Harness, Automatic Switch	1	
15	110226	Clamp, Nylon Loop	2	
16	800069	Screw #8-32x3/8 Cross Rec. Pan Hd. Tapping	2	
17	110107	Harness, Reed Switch, Knife Cover Sensor	1	
18	121082	Capacitor Clamp Kit (Incl. items 19-21)	1	
19		Capacitor, Knife Motor	1	
20	110228	Capacitor Clamp	1	
21	800069	Screw #8-32x3/8 Cross Rec. Pan Hd. Tapping	1	
22	130225	Power Supply Cord, 120VAC, 15A	1	
23	510045-01	Sleeve, Large Diameter Wire	2	
24	110227	Strain Relief, Power Cord	1	
25	800057	Screw 1/4-20x.75 Hex Washer Hd Tapping	1	
26	121080	Ground Location Tab Kit (Incl. items 27-29)	1	
27		Ground Location Tab	1	
28		Screw #8-32x1/2 Hex Washer Thread Form Slotted	1	
29		Lock Washer #8 External Tooth	1	
30	121086	Control Board Kit (Incl. items 31-34)	1	
31		Control Board Assembly	1	
32	510050	Thermal Pad	1	
33	800175	Screw #8-32x3/4 Crossed Recessed Tapping	4	
34	810450	Self Retaining Spacer	4	
35	121081	Ribbon Cable Kit (Incl. items 36-37)	1	
36		Ribbon Cable Assembly	1	
37		Retaining Clip, Ribbon Cable	2	
38	140017-01	Circuit Breaker	1	
39	300063	Electronics Cover & Gasket Kit (Incl. items 40-42)	1	
40		Cover, Electronics	1	
41		Gasket, Electronic Cover	1	
42	800067	Screw #10-24x1/2 Hex Washer Hd Tapping	8	
43	100125	Wire Harness, Circuit Breaker	1	
44	100120	Wiring Harness, Carriage Tilt Sensor	1	
45	300067	Front Wireway Cover Kit (Incl. items 46-48)	1	
46		Cover, Front Wireway	1	
47	510045-02	Sleeve, Large Diameter Wire	1	
48	800067	Screw #10-24x1/2 Hex Washer Hd Tapping	2	
49	300019	Auto Engage Position Leaf Spring	1	
50	800069	Screw #8-32x3/8 Cross Rec. Pan Hd. Tapping	1	
51	110230	Nylon Loop Clamp 5/16	1	



Knife Drive Motor Components



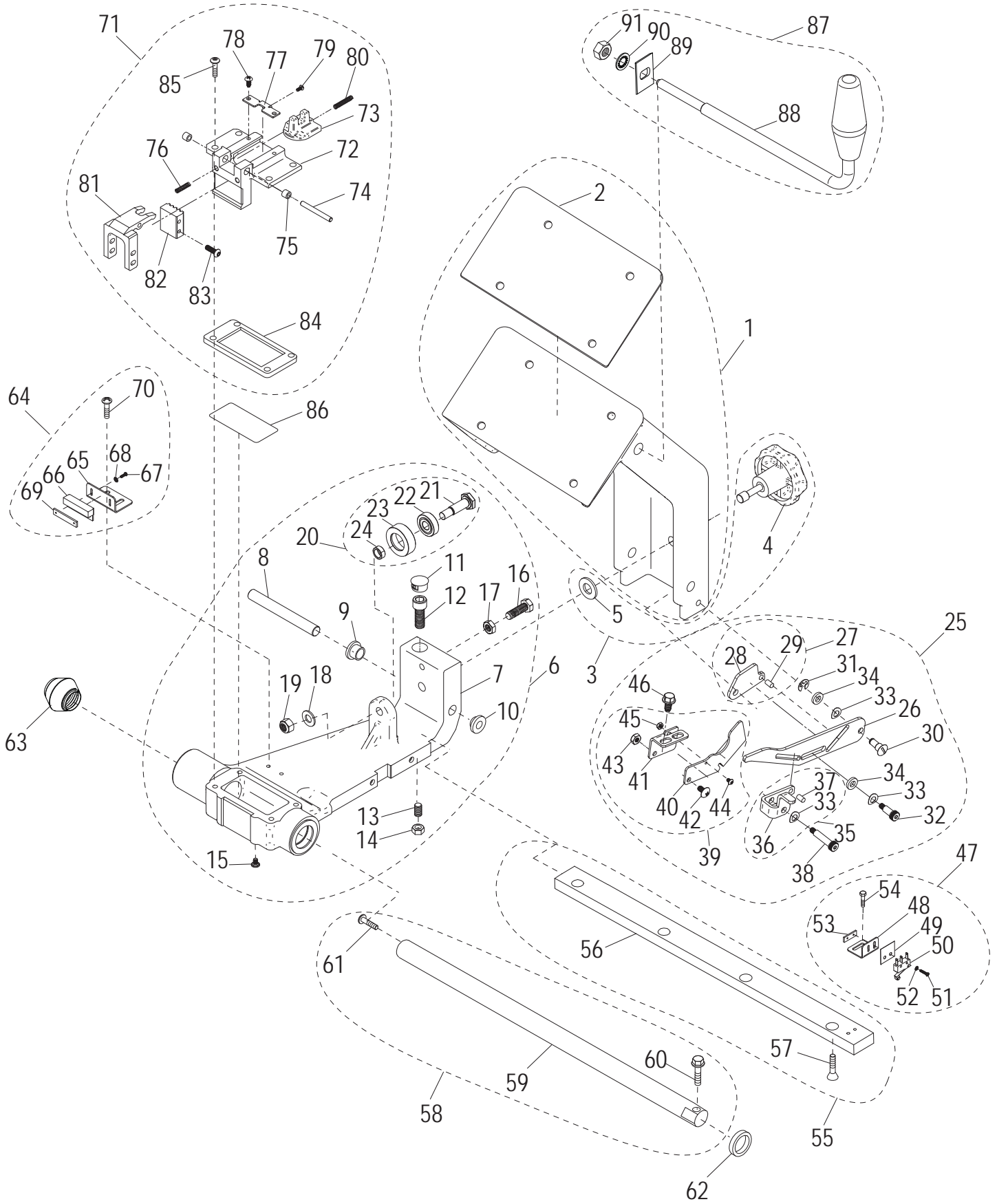


Knife Drive Motor Components

Item	Part Number	Description	Qty	Serial Number
1	400124	Knife Tensioner Kit (Incl. items 2-14)	1	
2	800135	Thread Forming Screw 1/4-20x5/8 PHP	2	
3		Cap Screw 5/16-18 x 1-3/4, Grade 8 Hex Hd	1	
4		Knife Motor Tensioner Bracket	1	
5		Sleeve Spacer	2	
6	810420	Nyloc Nut 5/16-18, Grade 5	1	
7	400125	Threaded Ball Joint, Knife Tensioner (Incl. items 8-9)	1	
8		Ball Joint Rod End 5/16'-24 Thd	1	
9		Tension Shaft 5/16-24 x 3 Full Thread	1	
10		Nut 5/16-24 UNF Zinc Plated Steel Hex Jam	1	
11		Nut 5/16-24x1 Hex Coupling	1	
12	810416	Flat Washer 5/16 (Zinc)	1	
13	810417	Washer 5/16 Neoprene	1	
14	800161	Washer 5/16 Leveling	1	
15	120158-01	Knife Drive Motor, Single Phase, 120V, 60Hz	1	
16	400113	Motor Mount Pivot Rod Assembly (Incl. items 17-19)	1	
17		Motor Mount Pivot Rod	1	
18	810429	Retaining Ring, 5304-31 (Klipring)	1	
19	810420	Nyloc Nut 5/16-18, Grade 5	1	
20	400157	Frozen Motor Pivot Block Kit (Incl. items 21-23)	1	
21		Motor Pivot Block	1	
22	800094	Set Screw #10-32x1/4, Knurl-Grip Cup Pt.	1	
23	800068	Washer #10-24x1 Hex Hd Tap. Screw Slotted	2	
24	800169	Knife Drive Belt	1	



Transport Arm Assembly Components





Transport Arm Assembly Components

Item	Part Number	Description	Qty	Serial Number
1	400129	Carriage Arm & Gasket Kit (Incl. item 2)	1	
2	500004	Carriage Arm Gasket	1	
3	500052	Carriage Knob & Captive Clip Kit (Incl. items 4-5)	1	
4		Carriage Arm Tie Down Knob	1	
5	800180	Washer, Nylon	1	
6	400115	Transport Replacement Assembly (Incl. items 7-24)	1	
7		Transport with Bushings	1	
8	400017	Transport Attachment Pin	1	
9		Shoulder Washer .51 IDx.88 Nylon	1	
10		Shoulder Washer .51 IDx1.125 Nylon	1	
11		Dome Plug for 5/8 Hole	1	
12		Socket Hd Cap Screw 3/8-16 x 1 (SST)	1	
13	800015	Transport Tie Down Screw	1	
14	800048	Nut 5/16-24 Hex UNF Thread (Zinc Plated Steel)	1	
15		Mach. Sealing Screw 8-32x1/4 PH Phillips	1	
16	810406	Hex Cap Screw 5/16-24x1,18-8 (SST)	1	
17		Shoulder Washer .51 IDx1.125 Nylon	1	
18	810272	Flat Washer 5/16 Screw Size (SST)	1	
19	810420	Nyloc Nut 5/16-18, Grade 5	1	
20	800014	Roller Bearing Assembly (Incl. items 21-24)	1	
21		Roller Bearing Bolt	1	
22		Roller Bearing	1	
23		Bearing Sleeve	1	
24		Spacer Sleeve	1	
25	300061	Table Interlock Kit (Incl. items 26-45)	1	
26		Transport Slide Lock Plate	1	
27		Lock Plate Assembly (Incl. items 28-29)	1	
28		Lock Plate	1	
29		Dowel Pin, 5/32 x 5/16 (SST)	1	
30		Reverse Shoulder Bolt	1	
31		E-Clip Retaining Ring for 1/4" Shaft	1	
32		Shoulder Bolt 1/4" x 1/2", #10-32 Thread	1	
33		Curved Disk Spring .265 ID,.490 OD,.011 Thick	3	
34		Washer, Nylon .265 ID, .50 OD, .094 Thick	2	
35		Cam Lock Plate Assembly (Incl. items 36-37)	1	
36		Cam Lock Plate	1	
37		Dowel Pin, 5/32 x 5/16 (SST)	1	
38		Shoulder Bolt 1/4" x 1", #10-32 Thread	1	
39		Lock Out Assembly (Incl. items 40-45)	1	
40		Pivot Stop Plate	1	
41		Slide Pivot Plate Bracket	1	
42	810457	Mach. Screw, #10-32 x 1/2 Phil Truss	1	
43		Nut #10-32 Thin Nylon Lock Hex	1	
44		Mach. Screw #5-40 x 1/2 Button Socket Cap	1	
45	800170	Hex Nut, Nylon Lock #5-40	1	
46	800057	Screw 1/4-20x.75 Hex Washer Hd Tapping	2	
47	121089	Carriage Tilt Switch Kit (Incl. items 48-54)	1	
48		Carriage Tilt Back Sensor Mount	1	
49		Micro Switch Insulator	1	
50		Micro Switch	1	
51		Mach. Screw #2-56x7/16 Pan Hd. Phillips	2	
52		Lock Washer #2 Internal Tooth	2	
53		Nut Plate	1	



Transport Arm Assembly Components

Item	Part Number	Description	Qty	Serial Number
54	800099	Mach. Screw #8-32x3/8 Hex Hd	2	
55	400131	Transport Roller Bar Kit (Incl. items 56-57)	1	
56		Transport Roller Bar	1	
57	810004	Tapping Screw 1/4-20x1 Cross Rec. FH	1	
58	400132	Transport Shaft Kit (Incl. items 59-61)	1	
59		Transport Shaft	1	
60	800059	Washer 5/16-18x1.25 Hex Hd Tapping Screw	1	
61	800071	Mach. Screw 5/16-18x1 Truss Hd Slotted	1	
62	500005	Transport Bumper	1	
63	800131	Sleeved Spring Assembly	1	
64	121090	Carriage Magnet Kit (Incl. items 65-70)	1	
65		Transport Switch Magnet Mount	1	
66		Magnet	1	
67		Mach. Screw #1-64x1/4, 18-8 Pan Hd. Phillips (SST)	2	
68		Lock Washer #2 Internal Tooth	2	
69		Nut Plate	1	
70	800069	Screw #8-32x3/8 Cross Rec. Pan Hd. Tapping	2	
71	400130	Auto Engage Pickup Kit (Incl. items 72-85)	1	
72		Transport Auto Engage	1	
73		Auto Engage Slide	1	
74		Auto Engage Pivot Dowel	1	
75		Sleeve Bushing	1	
76		Clamp Release Spring	1	
77		Auto Engage Spring Stop Bracket	1	
78	800069	Screw #8-32x3/8 Cross Rec. Pan Hd. Tapping	1	
79	810423	Mach. Screw #4-40 x 1/4, 18-8 PH Cr (SST)	1	
80		Slide Spring	1	
81		Auto Engage Pivot Lever	1	
82		Auto Engage Belt Clamp	1	
83	800105	Socket Cap Screw #10-32x5/8 Button-Hd	1	
84	510058	Oil Well Gasket	1	
85	800109	Screw 1/4-20x.50 Button Hd Cap	4	
86	800053	Felt Insert	1	
87	400114	Carriage Arm Handle Assembly with Nut (Incl. items 88-91)	1	
88		Carriage Arm Handle	1	
89	400155	Anti Rotation Block	1	
90	810226	Lock Washer, 1/2 Screw Size, Internal Tooth	1	
91	810224	Hex Nut, 1/2-13 Left Hand, Thread	1	

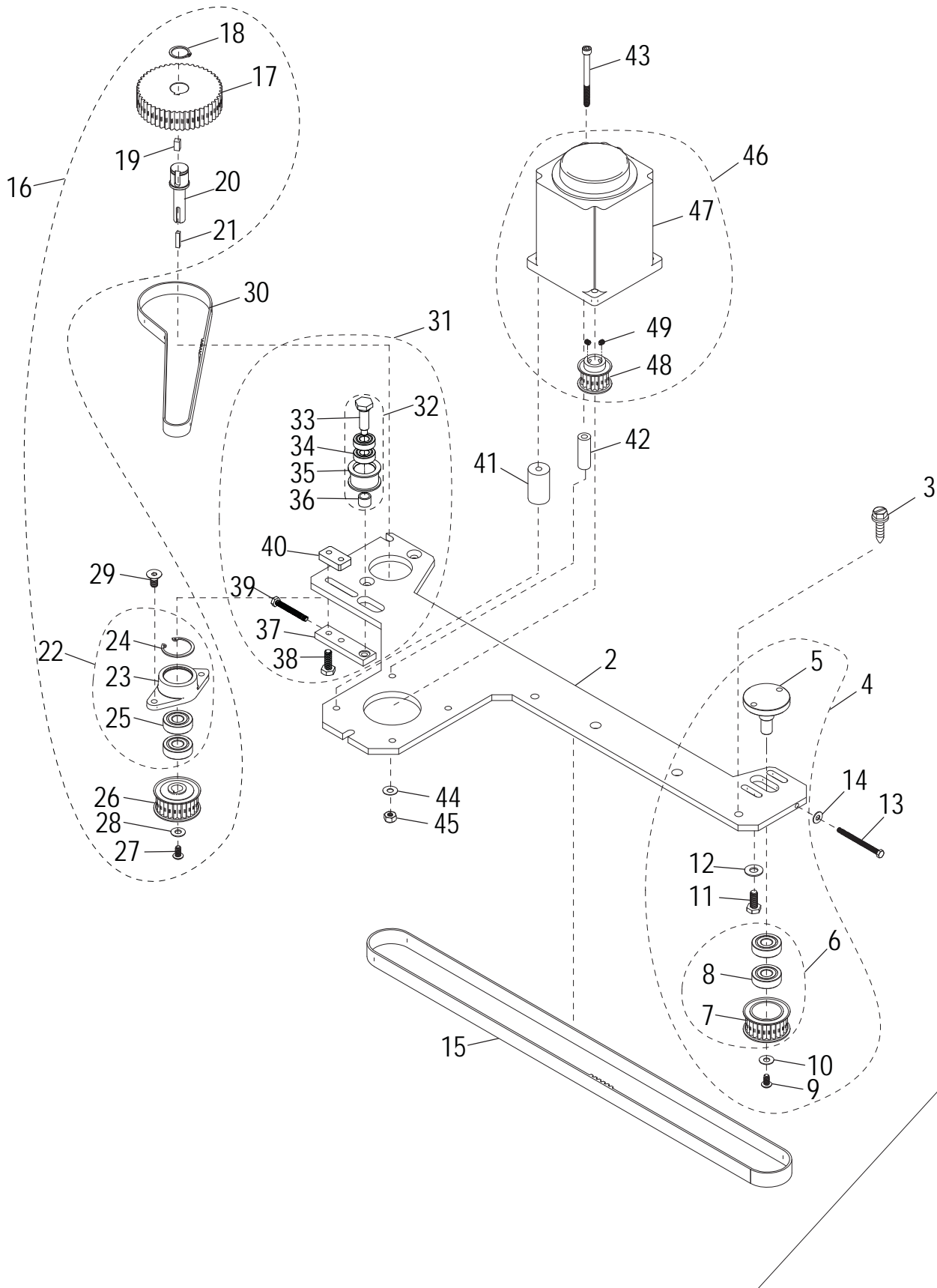


INTENTIONALLY LEFT BLANK PAGE



Automatic Drive Assembly Components

Item 1
Automatic Drive Kit



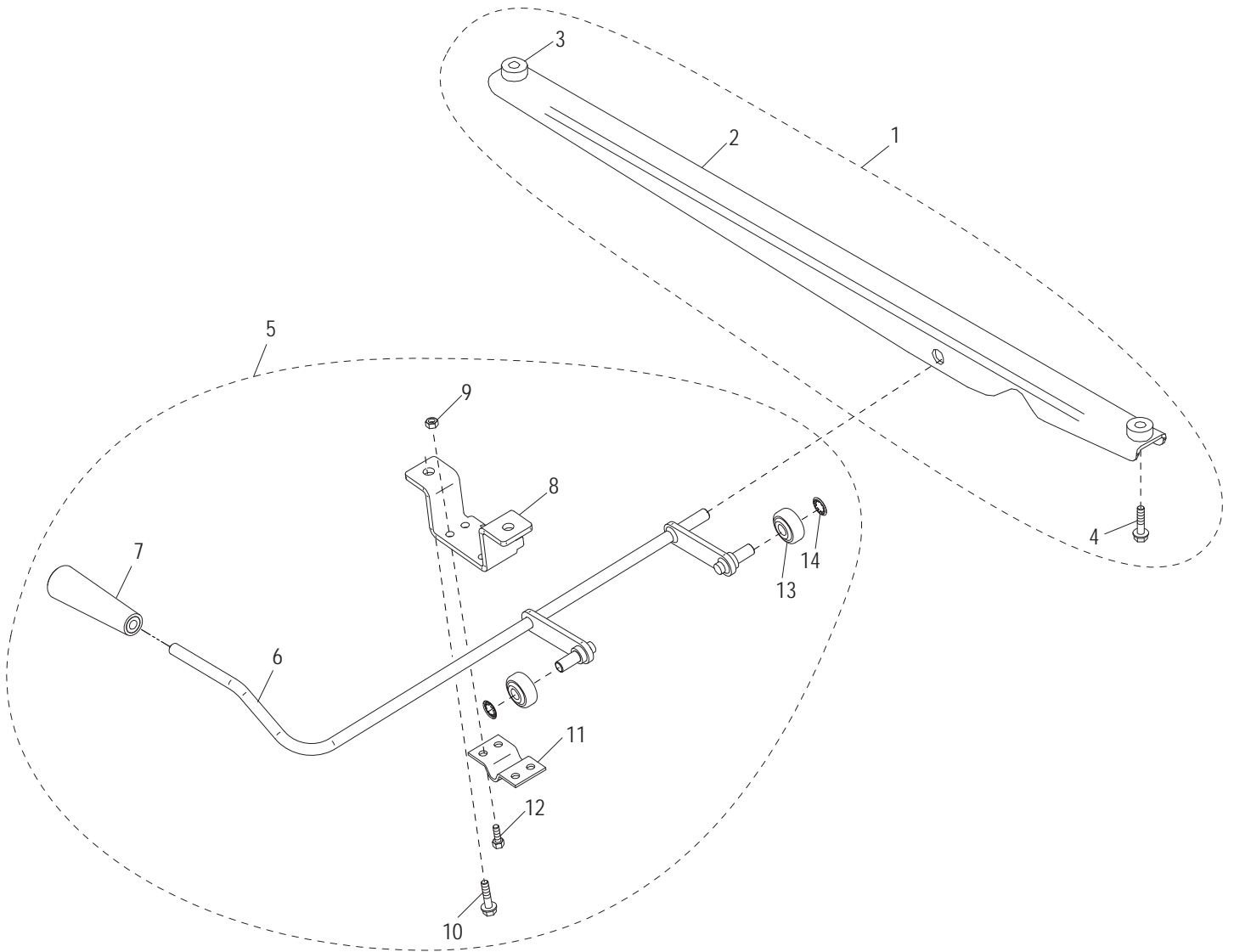


Automatic Drive Assembly Components

Item	Part Number	Description	Qty	Serial Number
1	400133	Automatic Drive Kit (Incl. items 2-49)	1	
2		Automatic Base Plate	1	
3	800057	Screw 1/4-20x.75 Hex Washer Hd Tapping	4	
4	400143	Idler Assembly Kit (Incl. items 5-12)	1	
5		Pulley Shaft	1	
6	450097	Idler Assembly (Incl. items 7-8)	1	
7		Idler Pulley (24 Tooth)	1	
8		Bearing 6000 Double Seal	2	
9	800077	Mach. Screw #10-24x3/8 Button Hd Cap (SST)	1	
10	800076	Washer #10 Flat (18-8 SST)	1	
11	800072	Bolt 1/4-20x5/8' Hex	2	
12		Washer 1/4 Flat	2	
13	800088	Mach. Screw #8-32x2 Hex Hd (SS)	1	
14	870072	#8 Flat Washer, SST	1	
15	800008	Automatic Driven Belt	1	
16	400141	48/24 Tooth Drive Pulley Kit (Incl. items 17-29)	1	
17		Drive Pulley (48 Tooth)	1	
18		Retaining Ring 5100-62 External	1	
19		Key, 3/16x3/16 Drive	1	
20		Shaft, Dual Pulley	1	
21		Key, 1/8x1/8 Drive	1	
22	450096	Bearing Block Assembly (Incl. items 23-25)	1	
23		Bearing Block	1	
24		Retaining Ring N5002-102 Internal	1	
25		Bearing 6000 Double Seal	2	
26	450093	Drive Pulley (24 Tooth)	1	
27	800077	Mach. Screw #10-24x3/8 Button Hd Cap (SST)	1	
28	800076	Washer #10 Flat (18-8 SST)	1	
29		Screw 1/4-20x1/2 Socket Flat Countersunk Hd Cap	2	
30	800009	Automatic Drive Belt	1	
31	400154	Belt Tension Kit (Incl. items 32-40)	1	
32	400151	Belt Tensioner Assembly	1	
33		Tension Pulley Shaft	1	
34		Bearing, Tension	2	
35		Tension Sleeve	1	
36		Spacer	1	
37		Tensioner Bar	1	
38	810006	Screw 1/4-20x3/4	2	
39	810007	Screw, Machine #10-32x1-1/2 Hx Hd Drive	1	
40	400150	Nut Plate	1	
41	450090	Standoff, Automatic Motor	3	
42	450091	Standoff, Automatic Motor	1	
43	800074	Screw #10-24x2.25 Socket Hd Cap	4	
44	800076	Washer #10 Flat (18-8 SST)	4	
45	800075	Nut #10-24 Hex	4	
46	400144	Carriage Drive Motor Kit (Incl. items 46-49)	1	
47	120160	Carriage Drive Motor (BLDC)	1	
48		Motor Drive Pulley (16 Tooth)	1	
49	800091	Set Screw #8-32 x 3/16 Knurled Grip - Cup Pt.	2	



Automatic Lift Lever Base Components



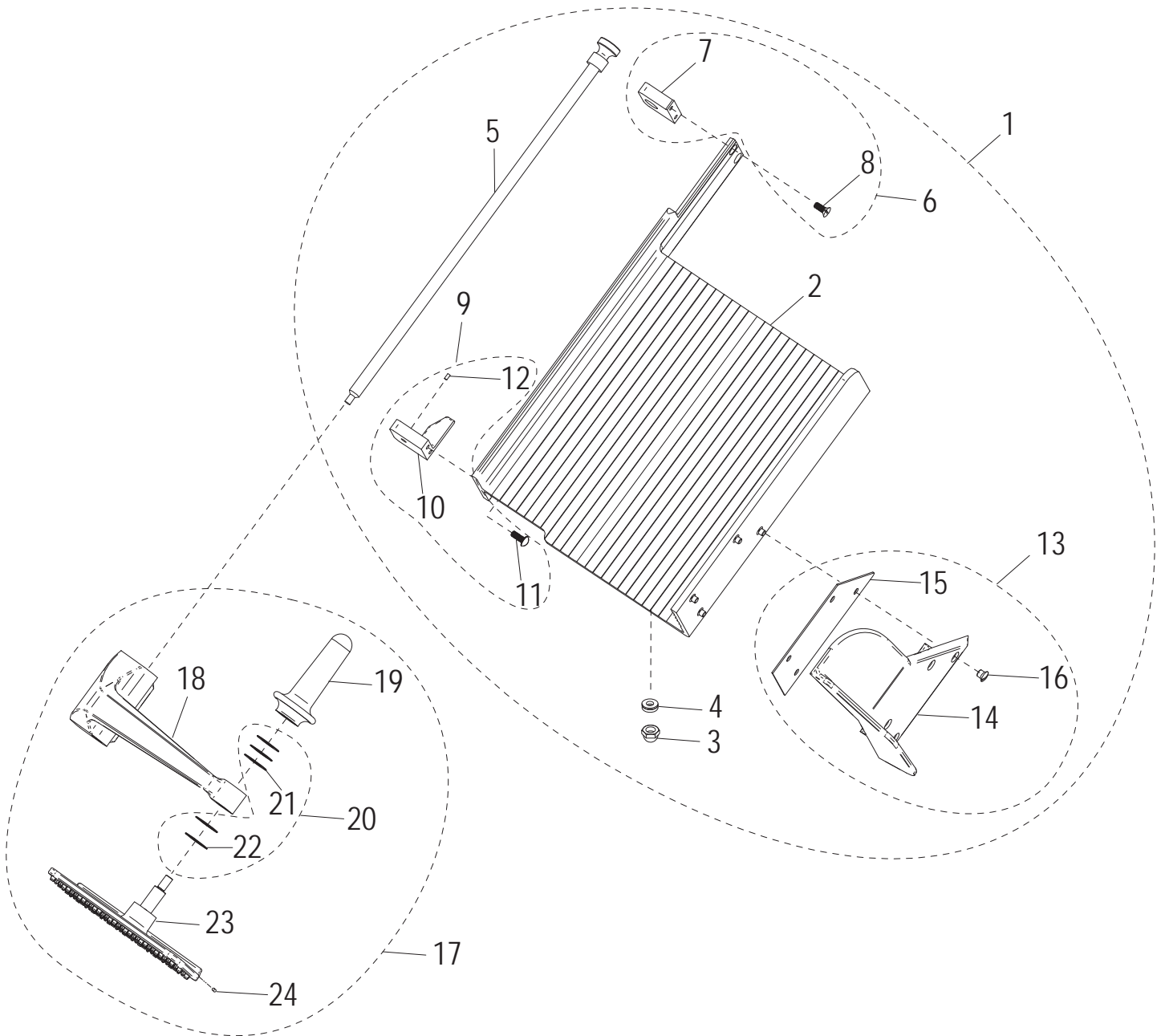


Automatic Lift Lever Base Components

Item	Part Number	Description	Qty	Serial Number
1	300066	Lift Lever Base Support Kit (Incl. items 2-4)	1	
2		Lift Lever Base Support	1	
3	400037	Lift Lever Base Support Post	2	
4	800057	Screw 1/4-20x.75 Hex Washer Hd Tapping	2	
5	400134	Lift Lever Assembly Kit (Incl. items 7-14)	1	
6		Lift Lever Weldment	1	
7	500031	Lift Lever Handle	1	
8		Lift Lever Support & Stop	1	
9	810438	Nylon-Insert Nut 1/4-20 Grade 5 Stl Zinc Plated	4	
10	800058	Washer 5/16-18-1 Hex Hd Tapping Screw	2	
11		Lift Lever Bracket	1	
12	800072	Bolt 1/4-20x5/8' Hex	4	
13		Lift Lever Roller	2	
14		Retaining Ring 5115-37 Push-On External	2	



Carriage and End Weight Assembly Components



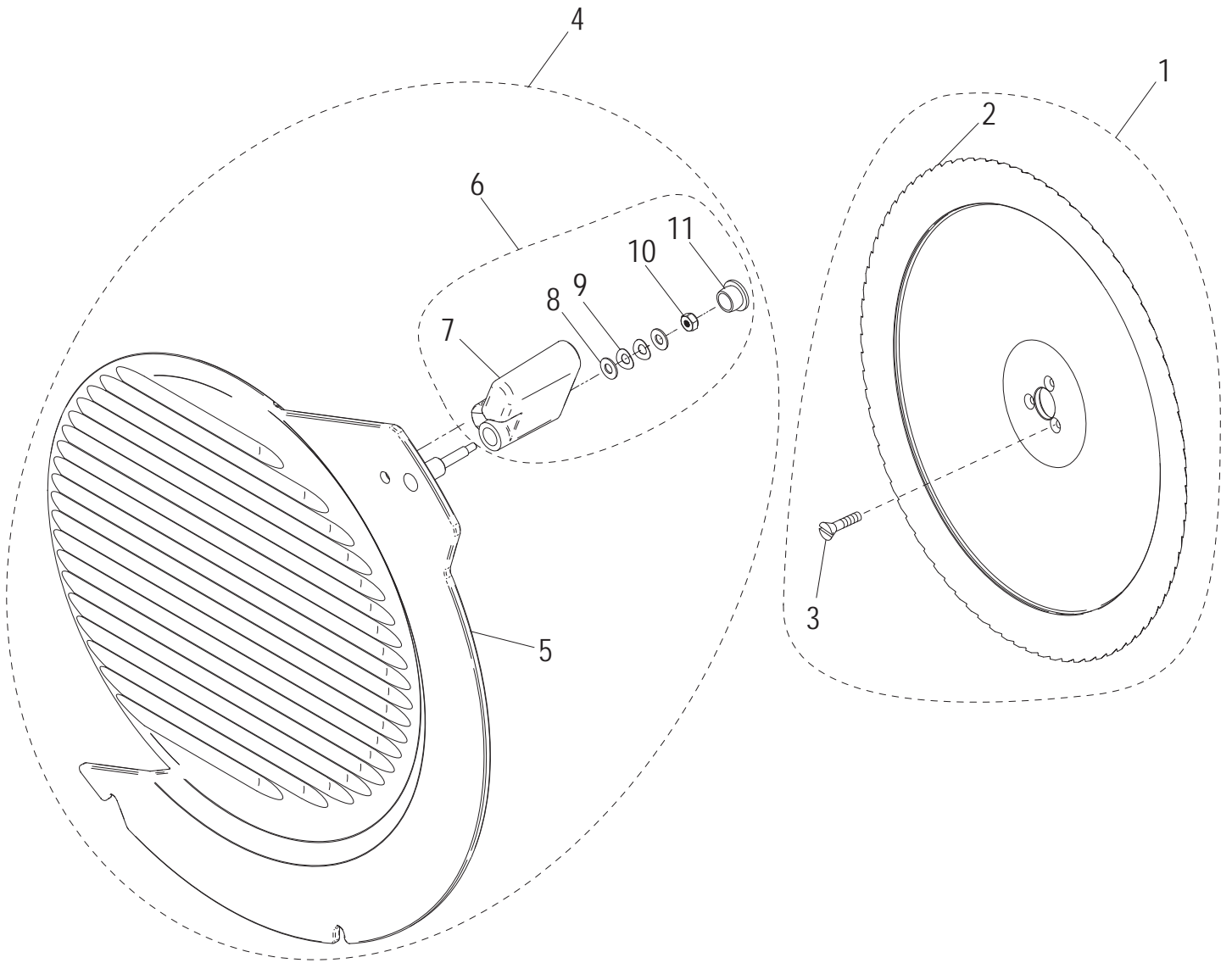


Carriage and End Weight Assembly Components

Item	Part Number	Description	Qty	Serial Number
1	400138	Carriage Assembly Kit (Incl. items 2-16)	1	
2	400012	Carriage Insert Assembly	1	
3	820002	Nut, Acorn 1/4-10 UNC Zinc Plated Steel	4	
4	800085	Washer 1/4" Screw, Self Aligning	4	
5	450158	End Weight Shaft Assembly	1	
6	400135	Rod Mount Kit End Weight (Incl. items 7-8)	1	
7		End Weight Rod Mount	1	
8	800037	Mach. Screw 1/4-20 x 5/8 FH Slotted	2	
9	400136	End Weight Stop Kit (Incl. items 10-12)	1	
10		End Weight Stop	1	
11	800038	Mach. Screw 1/4-20 x 5/8 RH Slotted	2	
12	800047	Delrin 1/8 Dia x 3/8 Pin	1	
13	500046	Thumb Guard Assembly (Incl. items 14-16)	1	
14		Carriage Thumb Guard	1	
15	510038	Carriage Thumb Guard Gasket	1	
16	810366	Thumb Guard Screw	4	
17	500027	End Weight Assembly (Incl. items 18-24)	1	
18	420065	End Weight Arm Assembly	1	
19	500024	End Weight Handle	1	
20	800164	End Weight Face Washer Kit (Incl. items 21-22)	1	
21		Washer .04 mm thick End Weight Face	1	
22		Washer .01 mm thick End Weight Face	4	
23	500007	Molded End Weight Assembly	1	
24	800047	Delrin 1/8 Dia x 3/8 Pin	1	



Knife and Knife Cover Components





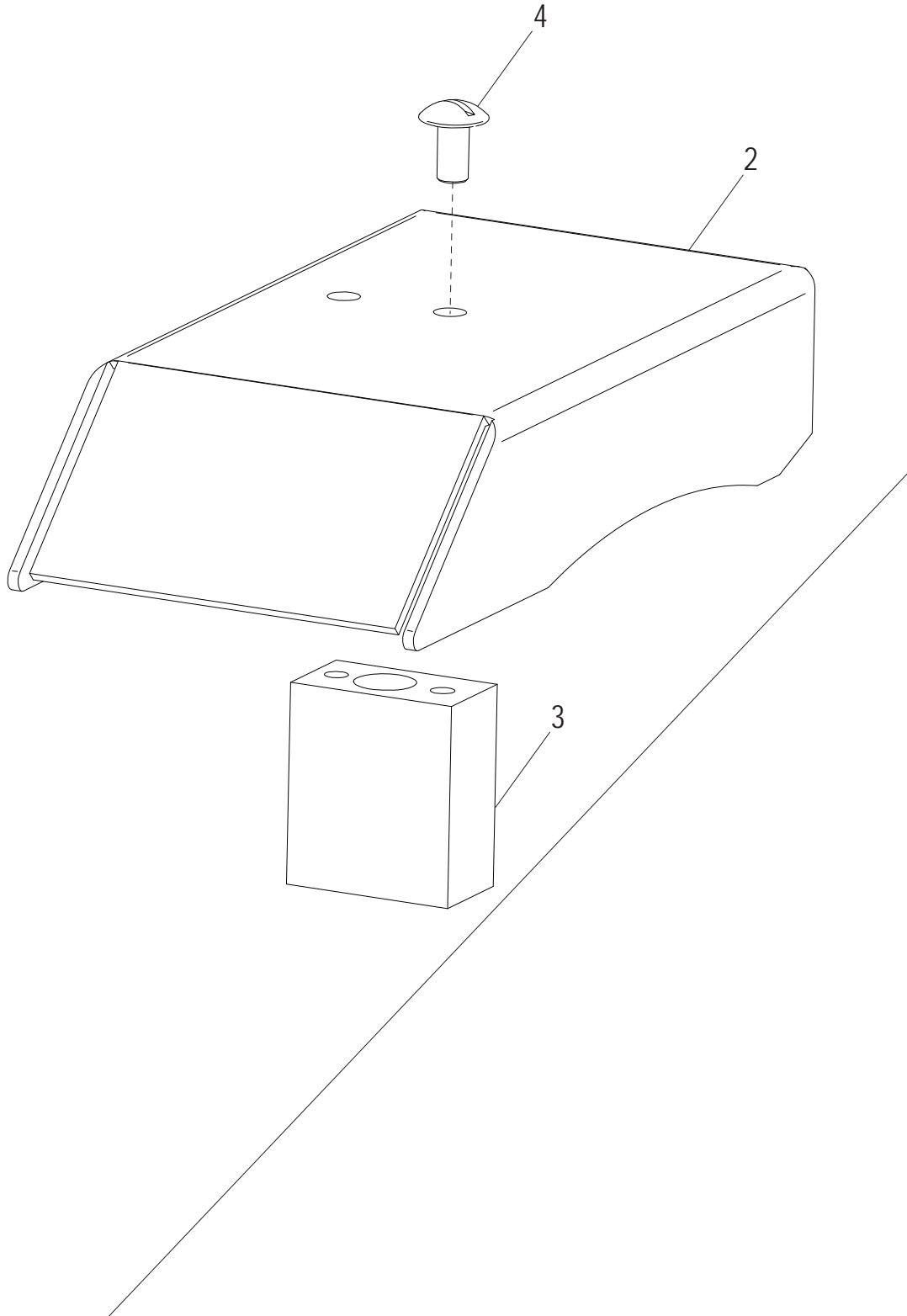
Knife and Knife Cover Components

Item	Part Number	Description	Qty	Serial Number
1	400156	Frozen Knife Kit (Incl. items 2-3)	1	
2	450172	Knife, 13 inch Serrated	1	
3	810274	Mach. Screw, Flat Hd Slotted 10-32x1/2 (SST)	3	
4	250247	Knife Cover Assembly (Incl. items 5-11)	1	
5	460090	Knife Cover Sub-Assembly	1	
6	500045	Knife Cover Swivel Lock Assembly (Incl. items 7-11)	1	
7		Knife Cover Swivel Lock	1	
8		Flat Washer #10 Thin Profile	2	
9		Curved Disk Spring	2	
10		Nut, 6-32 INC-2B Hex, with Nylon Insert	1	
11	520237	Barrel Plug, Push-In	1	



Dummy Sharpener Assembly

Item 1
Dummy Sharpener Assembly





Dummy Sharpener Assembly

Item	Part Number	Description	Qty	Serial Number
1	310235	Dummy Sharpener Assembly	1	
2		Dummy Sharpener Top	1	
3		Dummy Sharpener Base	1	
4	762-6	Mach. Screw 1/4-20 x .50	2	



Wiring Schematic

