

Parts Catalog



Model C9

SLICING MACHINES

MODELS: C9, C10 & C12

07-19-2011

IMPORTANT!

TO EXPEDITE SHIPMENT OF PARTS, ALWAYS SPECIFY MODEL, REV,
PART NUMBER, AND SERIAL NUMBER OF SLICER.

GLOBE FOOD EQUIPMENT COMPANY

2215 East River Road
Dayton, Ohio 45439

Parts Department

Toll Free 1-800-745-6238 • Fax (937) 290-0585

E-Mail: globeinfo@globeslicers.com

Website: www.globeslicers.com

Not for resale

TABLE OF CONTENTS

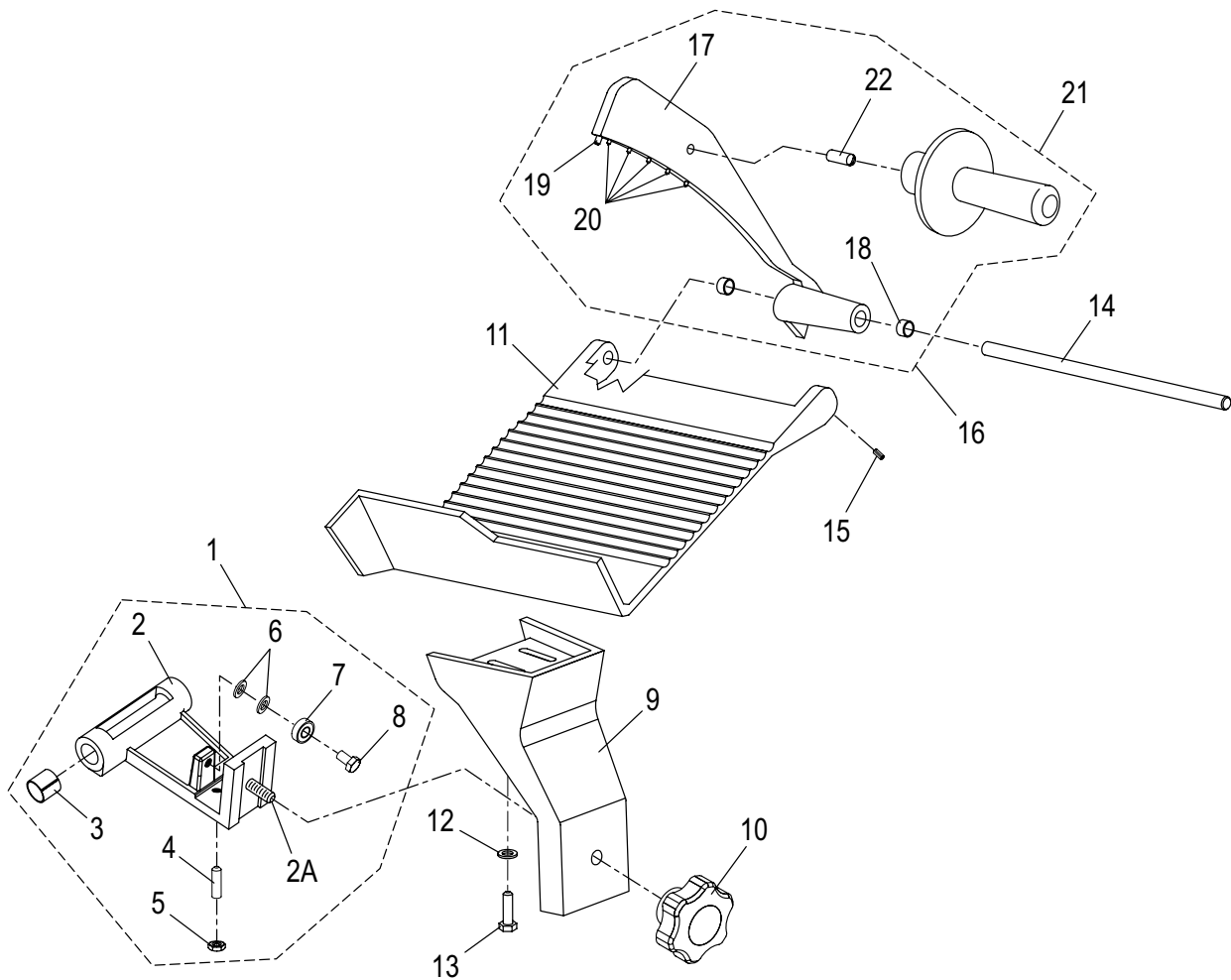
	<u>PAGE</u>
<u>BASE</u>	1 - 2
<u>CHUTE COMPONENTS</u>	3
<u>ELECTRICAL COMPONENTS</u>	4
<u>KNIFE & SHARPENER COMPONENTS</u>	5
<u>SCHEMATICS</u>	6

BASE PARTS LIST

ITEM	DESCRIPTION	C9 P/N	C10 P/N	C12 P/N	QTY
1	Slicer Base	-			1
2	Table Adjustment Knob	MCA28		M002	1
3	Wavy Washer	MCA32		M003	1
4	Table Adjustment Cam	MCA33		M004	1
*4A	Set Screw	M5x10 Dog Pt			2
5	Table Slide Assembly (Item 6-16)	MC002		MC009	1
6	Stud, Cam Actuator	MCA34		M013	1
*7	Flat Washer	D6		D8	2
*8	Nut	D6MA		D8MA	2
9	Table Slide	MCA9		MCB9	1
*10	Set Screw	M8x10			2
*11	Nut	5MA			2
*12	Screw	M5x16 TC		M5x20 TC	1
13	Rod, Table Slide	MCA36		MCB36	1
*14	Screw	M5x16 TE		M6x20 TE	2
15	Plate, Table Slide	MCA35		M016	1
*16	Screw	M5x16 TC		M5x10 TC	2
17	Slide Bar, Round	MCA26		M059	1
18	Spring, Slide Bar	MCA27		M061	2
18A	Bumper	MCA23	-	-	1
19	Screw	MCA25		M060	2
20	Wear Strip, Square Slide Bar	MCA31/1		M063	1
21	Slide Bar, Square	MCA31		M062	1
*22	Screw	M5x16 TC		M6x20 TC	2
**23	Motor Seal	-	-	MGI77/5	
24	Knife Hub Assembly (Item 23A-27)	MCA12		MCC12	1
25	Knife Pulley	MCA12/2		MCC12/2	1
25A	Shaft, Knife Pulley	MCA12/1USA		MCC12/1USA	1
26	Bearing	MCA12/3		M020	1
*27	Retaining Ring, External	15mm DIN 471		20mm DIN 471	1
*27A	Retaining Ring, Internal	35mm DIN 472		47mm DIN 472	1
*27B	Set Screw, Knife Shaft (Not shown)	M5x10 Cup Pt		M6x13 Cup Pt	2
28	Knife Cover Release Knob	MCA15		MCB15	1
29	Table	MCA3	MCL3	MCC3	1
30	Table Support	MCA2	MCEV2	MCB2	1
*31	Flat Washer	D6		D8	2
*32	Screw	M6x25 TE		M8x30 TE	2
33	Cover, Hole - Base	MCA82/1		M073	1
34	Knife Wiper	MCA22/1		M097	1
*35	Thumb Screw, Knife Wiper	M5x10 Thumbscrew			2
36	Cover, Bottom	MCA64USA		M113	1
37	Foot	MCA24/1		M115	4
38	Label, Warning	M91022			1
39	Label, Logo	M91020			1
40	Data Plate (Not shown)	-			1

* Standard hardware. **Starting with S/N 302050.

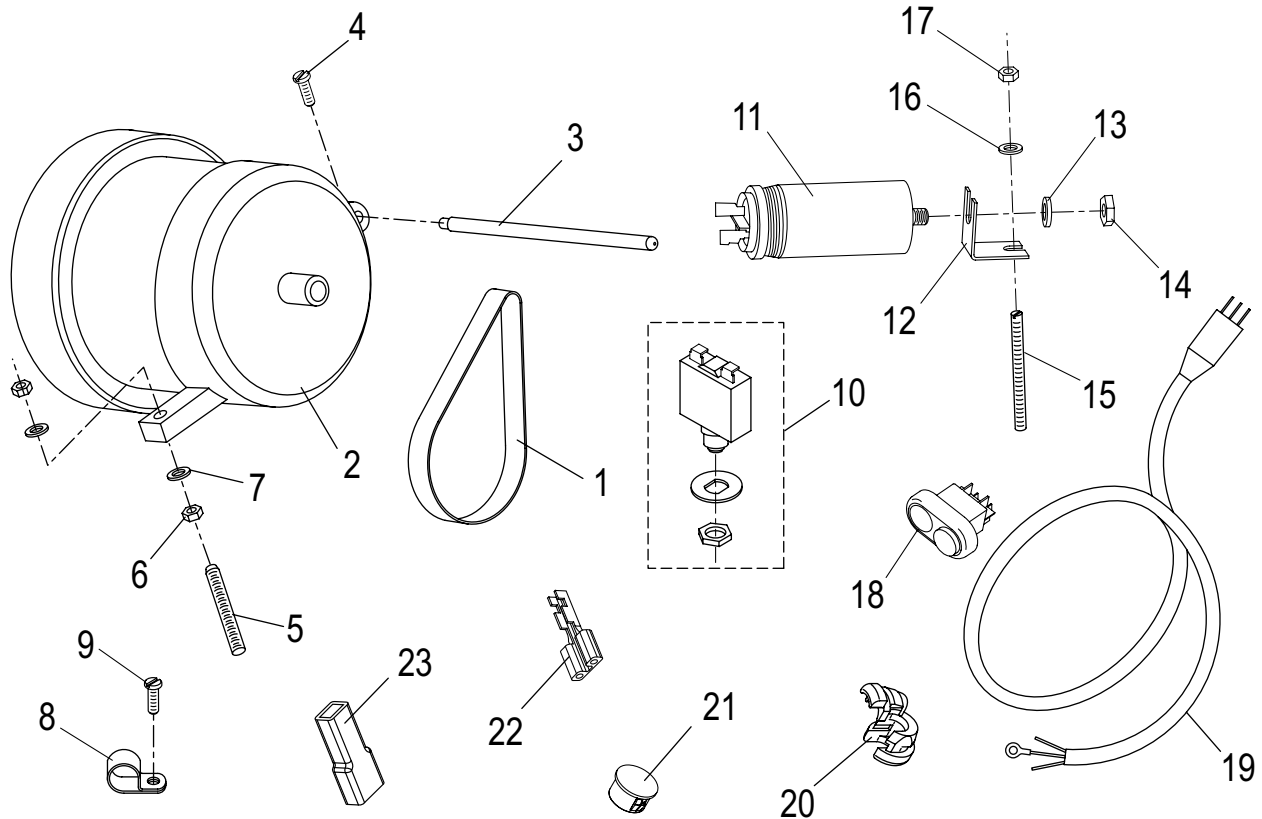
CHUTE COMPONENTS



ITEM	DESCRIPTION	C9 P/N	C10 P/N	C12 P/N	QTY
1	Chute Slide Assembly (Item 2-8)	MC006		M352	1
2	Chute Slide		-		1
*2A	Stud, Chute Support Knob	M8x30		M10x30	1
3	Bushing, Chute Slide Assembly	MCA8/2		M057	2
4	Stud		M053		1
*5	Nut		8MA		1
*6	Flat Washer	D6		D8	2
7	Bearing	MCA29		M056	1
*8	Screw, Hex Hd	M6x20 TE		M8x20 TE	1
9	Chute Support	MCA5		MCB5	1
10	Chute Support Knob	MCA42		MCR42	1
11	Chute	MCA6USA	MCL6USA	MCB6USA	1
*12	Flat Washer, Chute Mounting	D6		D8	2
*13	Screw, Chute Mounting	M6x15 TE		M8x20 TE	2
14	Rod, End Weight	MCA37	MCL37	MCB37	1
*15	Set Screw, End Weight Rod		M5x6 Cup Pt		1
16	End Weight Assembly (Item 17-21)	MC007	MC008	MC011	1
17	End Weight		-		1
18	Bushing, End Weight		-		2
19	Spacer, End Weight		M108		1
20	Prong, End Weight		-		5
21	Handle, End Weight	MCA40/1		MCC40/1	1

* Standard hardware

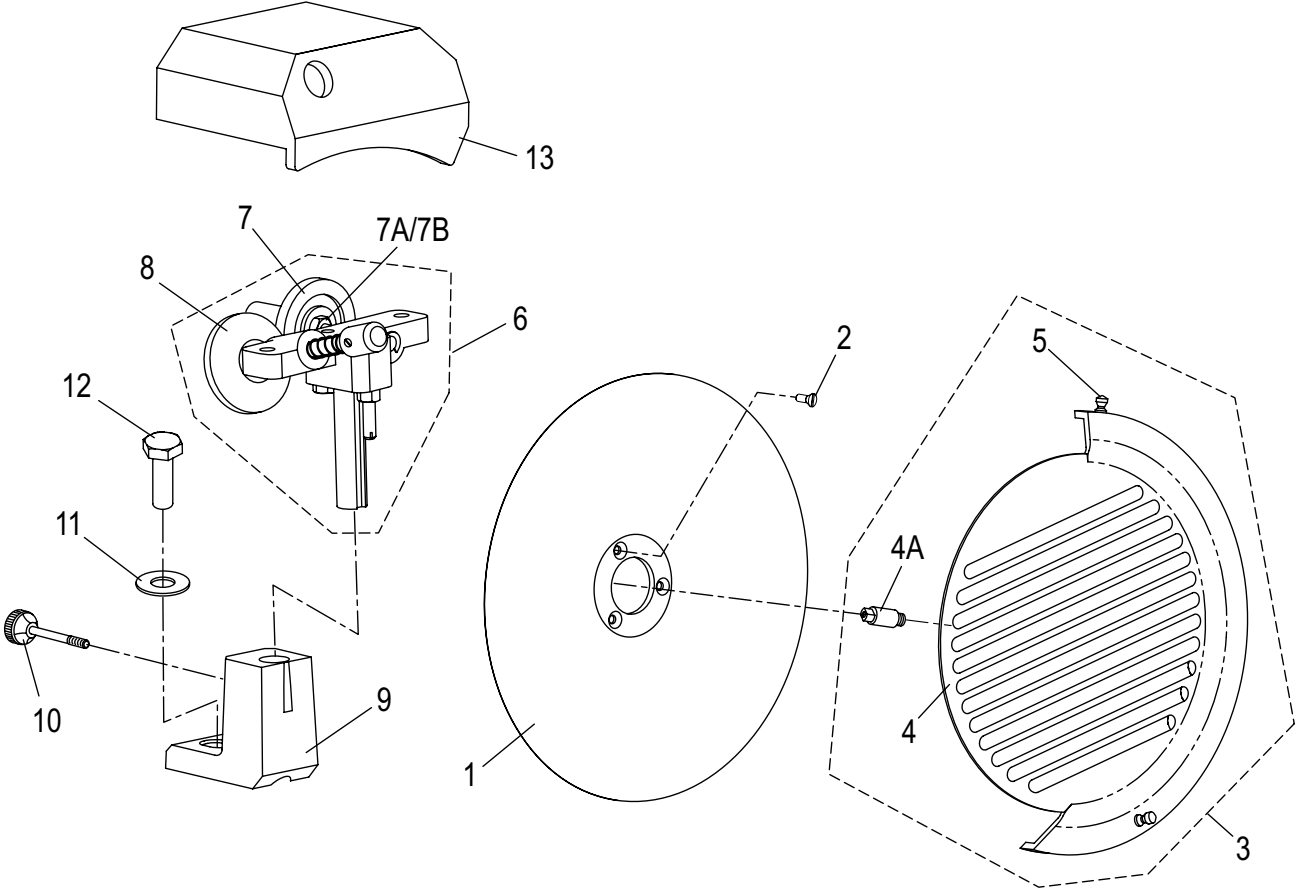
ELECTRICAL COMPONENTS



ITEM	DESCRIPTION	C9 P/N	C10 P/N	C12 P/N	QTY
1	Drive Belt	54	MCB51	MCC51	1
2	Knife Motor	MCA43/2	MCL43/2	MC43/1	1
3	Post, Motor Pivot	M031			1
*4	Screw	M4x10 TC			1
*5	Stud	M6x50 TC			1
*6	Nut	M6			2
*7	Flat Washer	D6			2
8	Cable Clamp	M037			1
*9	Screw, Cable Clamp Mounting	M5x10 TC			1
10	Switch, Motor Reset	M038			1
11	Capacitor, 16 μ f	M039			1
12	Bracket, Capacitor Mounting	-			1
*13	Washer	D8			1
*14	Nut	M8			1
*15	Stud	M5 x 60 TC			3
*16	Flat Washer	D5			3
*17	Nut	M5			1
18	Power Switch	MCR68			1
**18A	Rubber Boot, Switch Cover (not shown)	MCR59			1
19	Power Cord & Plug	M110			1
20	Strain Relief	M111			1
21	Hole Plug	MCC80			1
*22	Terminal, Female	1/4 FEM QD			8
23	Terminal Insulator	-			8
*24	Screw, Ground (Green, not shown)	M5x8 TE			1

* Standard hardware. **Starting S/Ns: C9 101044, C10 202244, C12 302331.

KNIFE AND SHARPENER COMPONENTS



ITEM	DESCRIPTION	C9 P/N	C10 P/N	C12 P/N	QTY
1	Knife	MCA13	MCB13	M047	1
*2	Screw, Flat Hd	M5x10 TSC		M5x16 TSC	3
3	Knife Cover Assembly (Items 4-5)	MCA4USA	MCB4USA	M349	1
4	Knife Cover	-			1
4A	Knife Cover Insert	-		M049A	1
5	Knife Cover Knob	MC003			2
6	Knife Sharpener Assembly	MCA16	MCB16	MCC16	1
7	Deburring Stone	MCA17	M092		1
*7A	Flat Washer	D6			2
*7B	Nut, Jam	M6			4
8	Sharpening Stone	MCA18	M091		1
9	Sharpener Support	MCB10		MCC10	1
10	Knob, Sharpener Adjustment	M096			1
*11	Flat Washer	D8			1
*12	Bolt	M8x20 TE			1
13	Sharpener Cover	MCA11	MCB11		1

* Standard hardware

WIRING DIAGRAM 115V, 50/60Hz, 1PH

