

Parts Catalog



GSM175

Spiral Mixer

Model: GSM175

2/9/2017 Rev. C

IMPORTANT!

TO EXPEDITE SHIPMENT OF PARTS, ALWAYS SPECIFY MODEL, REV,
PART NUMBER, AND SERIAL NUMBER OF UNIT.

GLOBE FOOD EQUIPMENT COMPANY

2215 East River Road
Dayton, Ohio 45439

Parts Department

Toll Free 1-800-745-6238 · Fax (937) 290-0585

E-Mail: info@globefoodequip.com

Website: www.globefoodequip.com

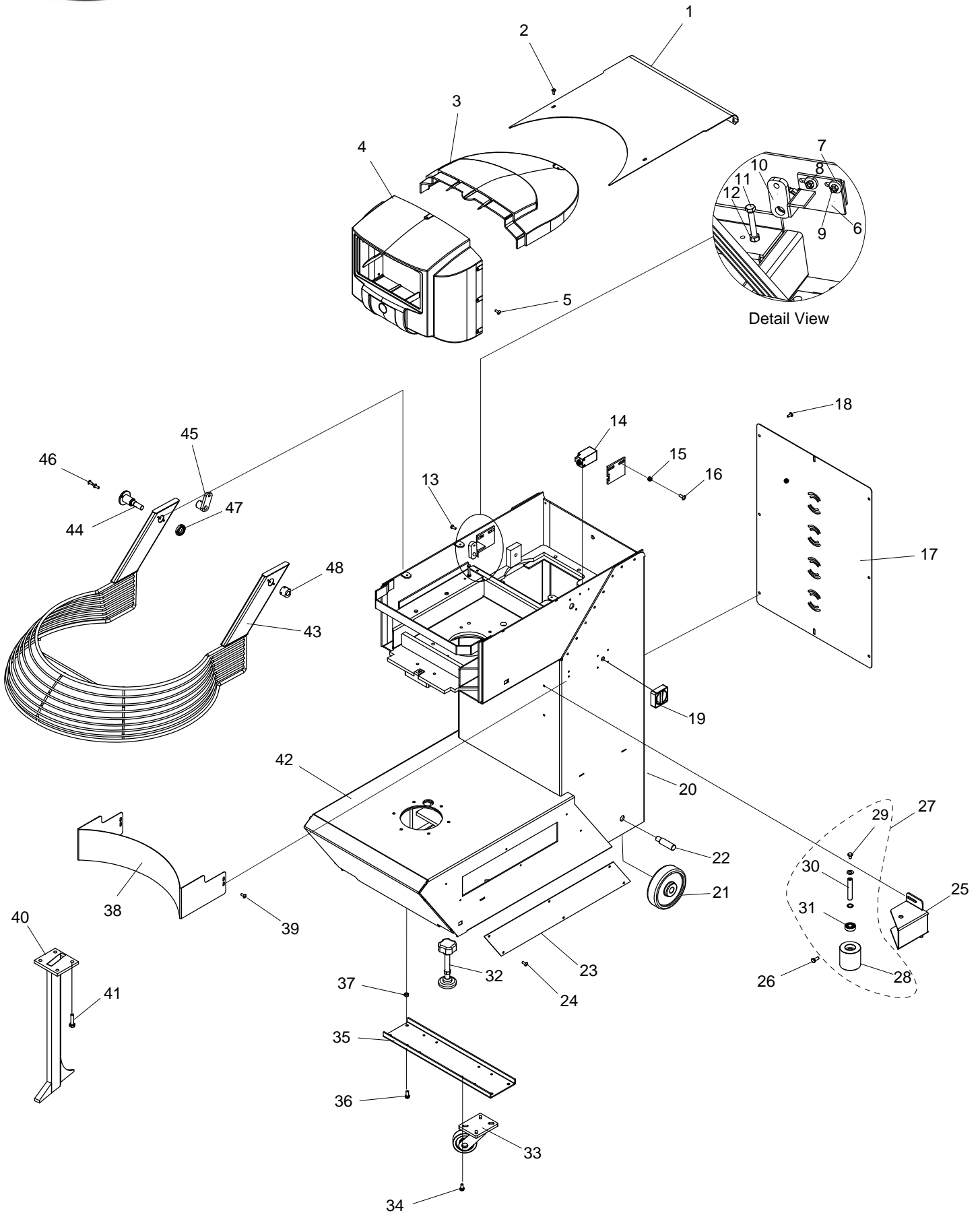
Not for resale

Table of Contents

Description	Page
GSM175 Spiral Base Components	4
GSM175 Control Panel Components	6
GSM175 Spiral Components	8
GSM175 Bowl Components	10
GSM175 Electrical Components	12
GSM175 Wiring Diagram	14
GSM175 Wiring Diagram	15



GSM175 Spiral Base Components



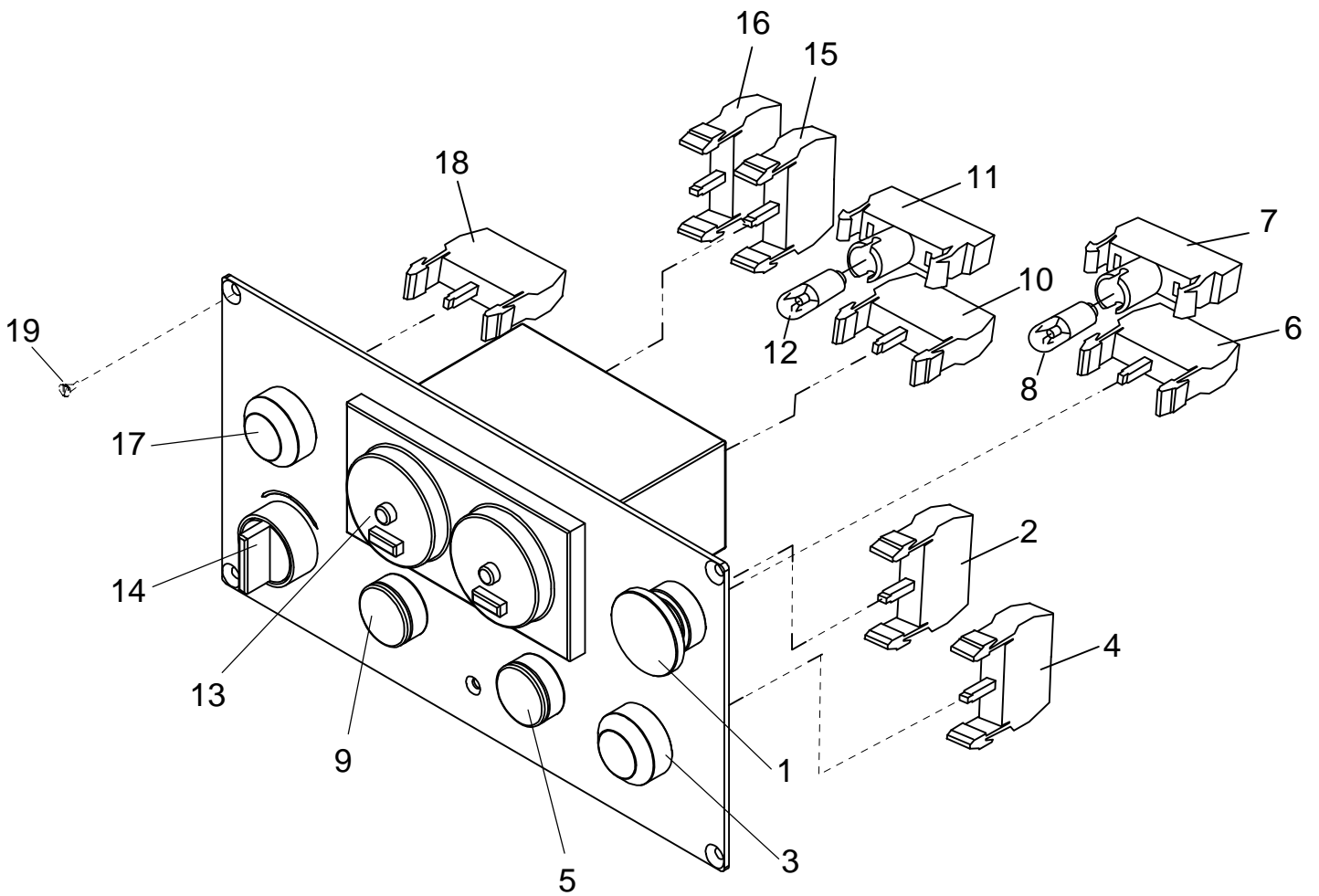


GSM175 Spiral Base Components

Item	Part Number	Description	Qty	Serial Number
1		Top Cover	1	
2	H01014	Screw M6x16mm Oval Head	2	
3		Back Cover	1	
4		Front Cover	1	
5	H01014	Screw M6x16mm Oval Head	8	
6		Bowl Guard Bracket	1	
7	H01460	Washer M20	2	
8	H01458	Nut, Flange	2	
9	H01459	Screw M6x25mm Cap Slot	2	
10		Bowl Guard Block	1	
11	H01457	Screw M10x80mm Hex Hd	1	
12	H01029	Nut M10	1	
13	H01014	Screw M6x16mm Oval Head	2	
14	P00975	Microswitch	1	
15	H01014	Screw M6x16mm Oval Head	2	
16	H01027	Nut M6	2	
17		Back Panel	1	
18	H01014	Screw M6x16mm Oval Head	10	
19	P01566	Main Power Switch	1	
20	P01004	Belt Tension Knob (Not Shown)	1	
21	P00950	Rear Wheel	2	
22	P00954	Back Wheel Pin	2	
23		Base Access Panel	2	
24	H01014	Screw M6x16mm Oval Head	12	
25		Roller Support	2	
26		Screw M8 x 20mm Hex Socket, Cheese Head	4	
27	P01093	Roller Assembly (Incl. items 28-31)	1	
28		Roller	2	
29	H01015	Screw M8x12mm Hex Head	4	
30		Roller Pin	2	
31	P00969	Bearing	4	
32	P01009	Feet	2	
33	P00956	Front Wheel	2	
34	H01016	Screw M8x16mm Hex Head	8	
35		Front Wheel Support	1	
36		Screw M8 x 20mm Hex Socket, Cheese Head	4	
37	H01028	Nut M8	4	
38		Rear Bowl Guard	1	
39	H01014	Screw M6x16mm Oval Head	4	
40	P00946	Central Rod	1	
41	H01022	Screw M10x40mm Hex Head	4	
42		Spiral Base	1	
43	P00926	Bowl Guard	1	
44		Bowl Guard Pin	2	
45		Bowl Guard Lever	1	
46	H01014	Screw M6x16mm Oval Head	4	
47		Bearing Locknut	2	
48		Cam	1	



GSM175 Control Panel Components



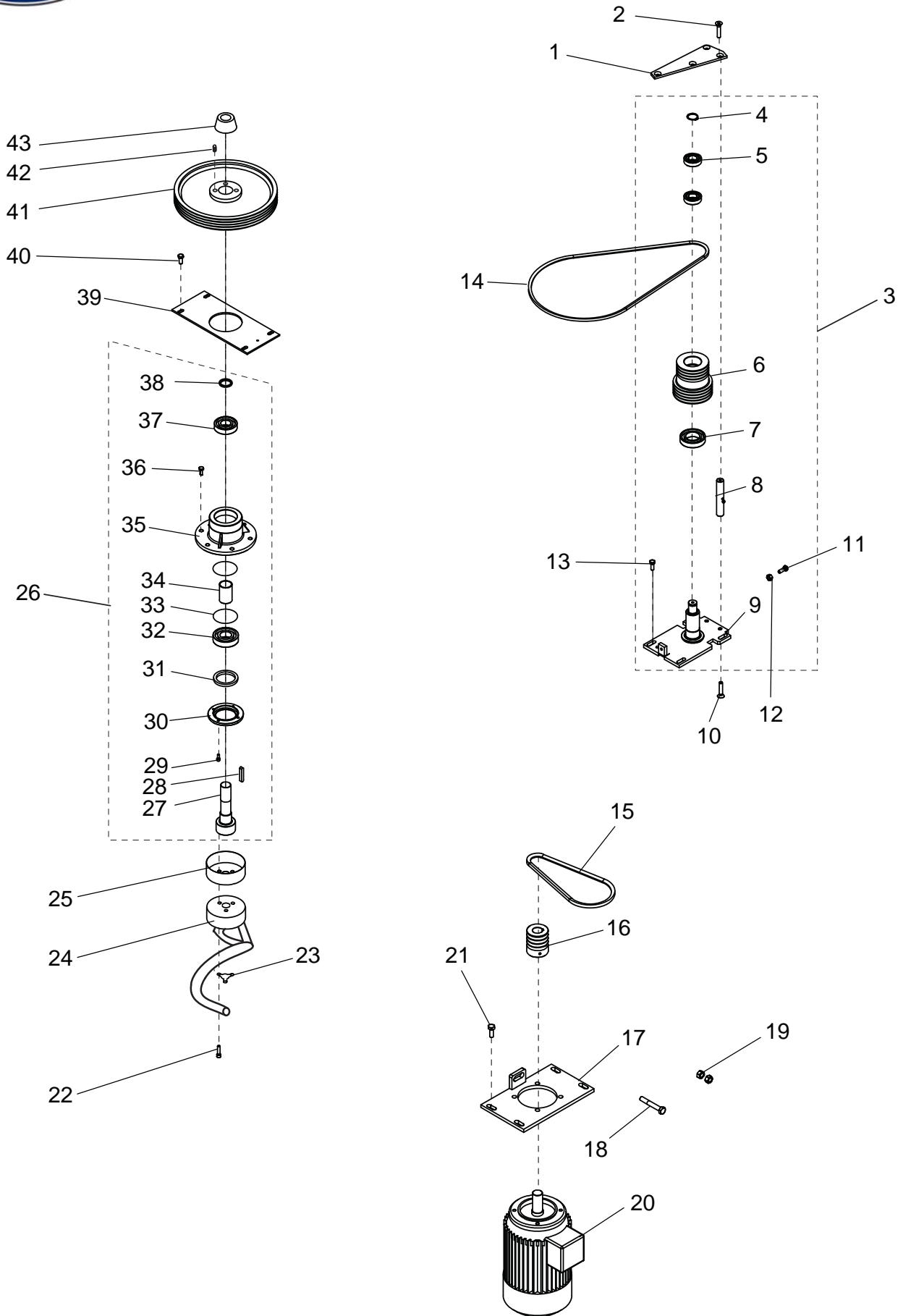


GSM175 Control Panel Components

Item	Part Number	Description	Qty	Serial Number
1	P00995	Emergency Stop Button (EM) (Incl. item 2)	1	
2		Contact Block	1	
3	P00994	Stop Button (SB4) (Incl. item 4)	1	
4		Contact Block	1	
5	P00993	Speed 2 Button (SB2) (Incl. items 6-8)	1	
6		Contact Block	1	
7		Lamp Holder	1	
8		LED, White 24V	1	
9	P00993	Speed 2 Button (SB2)	1	
10		Contact Block (Incl. items 10-12)	1	
11		Lamp Holder	1	
12		LED, White 24V	1	
13	P00991	Timer (TM1)	1	
14	P00990	Reverse Button (SA1) (Incl. items 15-16)	1	
15		Contact Block	1	
16		Contact Block	1	
17	P00989	Bowl Jog Button (SB3) (Incl. item 18)	1	
18		Contact Block	1	
19	H01013	Screw M5 x 12mm Countersunk Head	5	



GSM175 Spiral Components



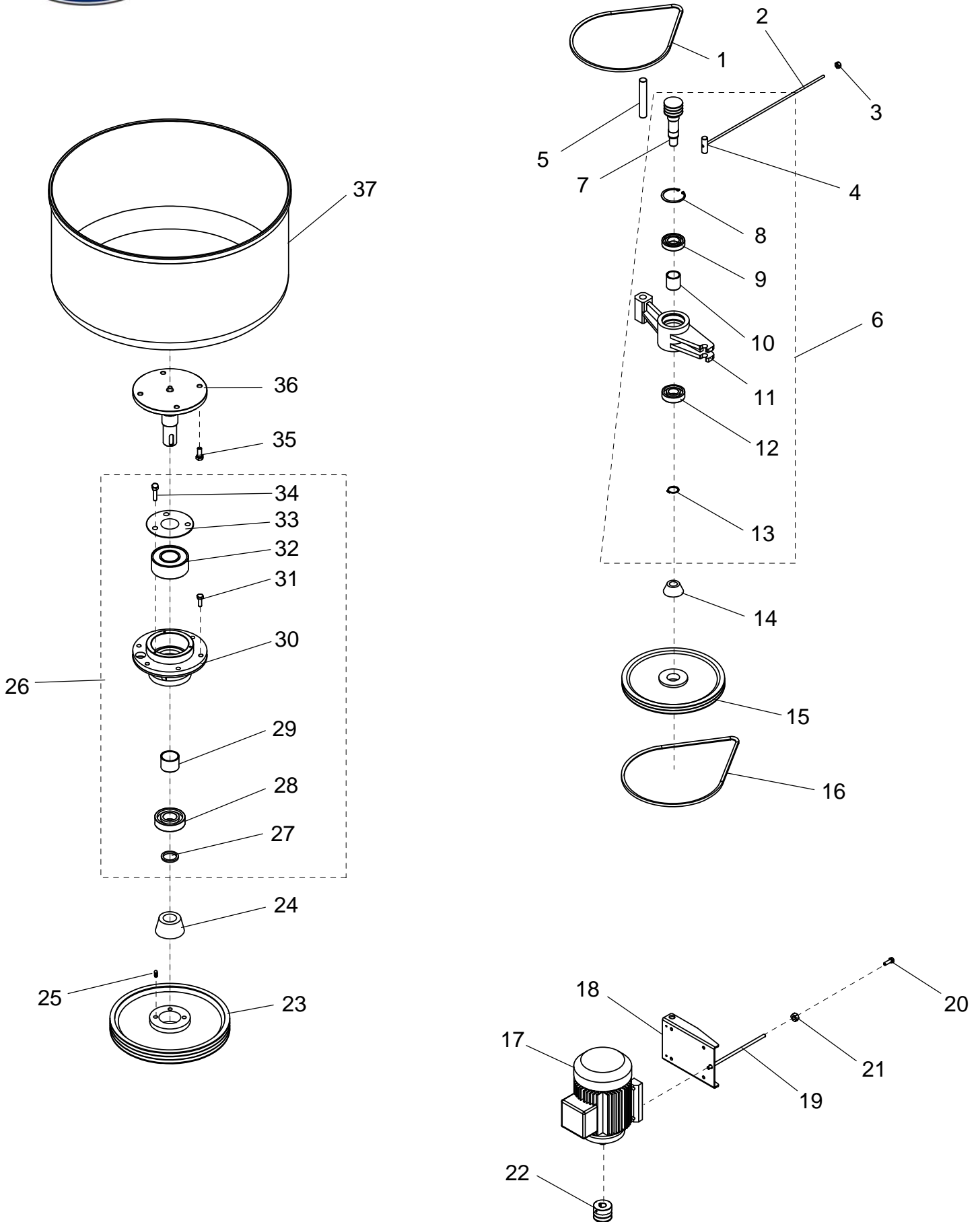


GSM175 Spiral Components

Item	Part Number	Description	Qty	Serial Number
1		Plate Containment	1	
2	H01026	Screw M12 x 60mm Hex Socket, Countersunk Head	4	
3	P01057	Upper Return Pulley Assembly (Incl. items 4-9)	1	
4		Retaining Ring	1	
5	P00968	Bearing	2	
6		Upper Return Pulley	1	
7	P00962	Bearing	2	
8		Bracket Support	3	
9		Return Pulley Bracket	1	
10	H01026	Screw M12 x 60mm Hex Socket, Countersunk Head	3	
11	H01021	Screw M10 x 30mm Hex Head	1	
12	H01029	Nut M10	1	
13	H01021	Screw M10 x 30mm Hex Head	4	
14	P00960	Spiral Transmission Belt	4	
15	P00961	Return Motor Transmission Belt	4	
16	P00979	Spiral Motor Pulley	1	
17		Plate for Spiral Motor Support	1	
18	H01025	Screw M12 x 80 Hex Head	1	
19	H01030	Nuts M12	2	
20	P00931	Spiral Motor (M2)	1	
21	H01021	Screw M10 x 30mm Hex Head	8	
22	H01024	Screw M12 x 45mm Hex Head	3	
23	P01489	Spiral Support Cover	1	
24	P00922	Spiral Hook	1	
25		Spiral Bowl	1	
26	P01058	Spiral Shaft Assembly (Incl. items 27-38)	1	
27		Spiral Shaft	1	
28		Key 40 x 112 x 8mm	1	
29		Screw M8 x 20mm Hex Socket, Cheese Head	4	
30		Flange	1	
31		Oil Retaining Ring	1	
32	P00964	Bearing	1	
33		Ring	2	
34		Spacer	1	
35		Spiral Support	1	
36		Screw M10 x 25mm Hex Head	6	
37	P00963	Bearing	1	
38		Spiral Pulley Spacer	1	
39		Spiral Support Blocking Plate	1	
40	H01023	Screw M12 x 30mm Hex Head	4	
41		Spiral Pulley	1	
42	H01059	Set Screw M10 x 30mm	3	
43		Spiral Pulley Support	1	



GSM175 Bowl Components



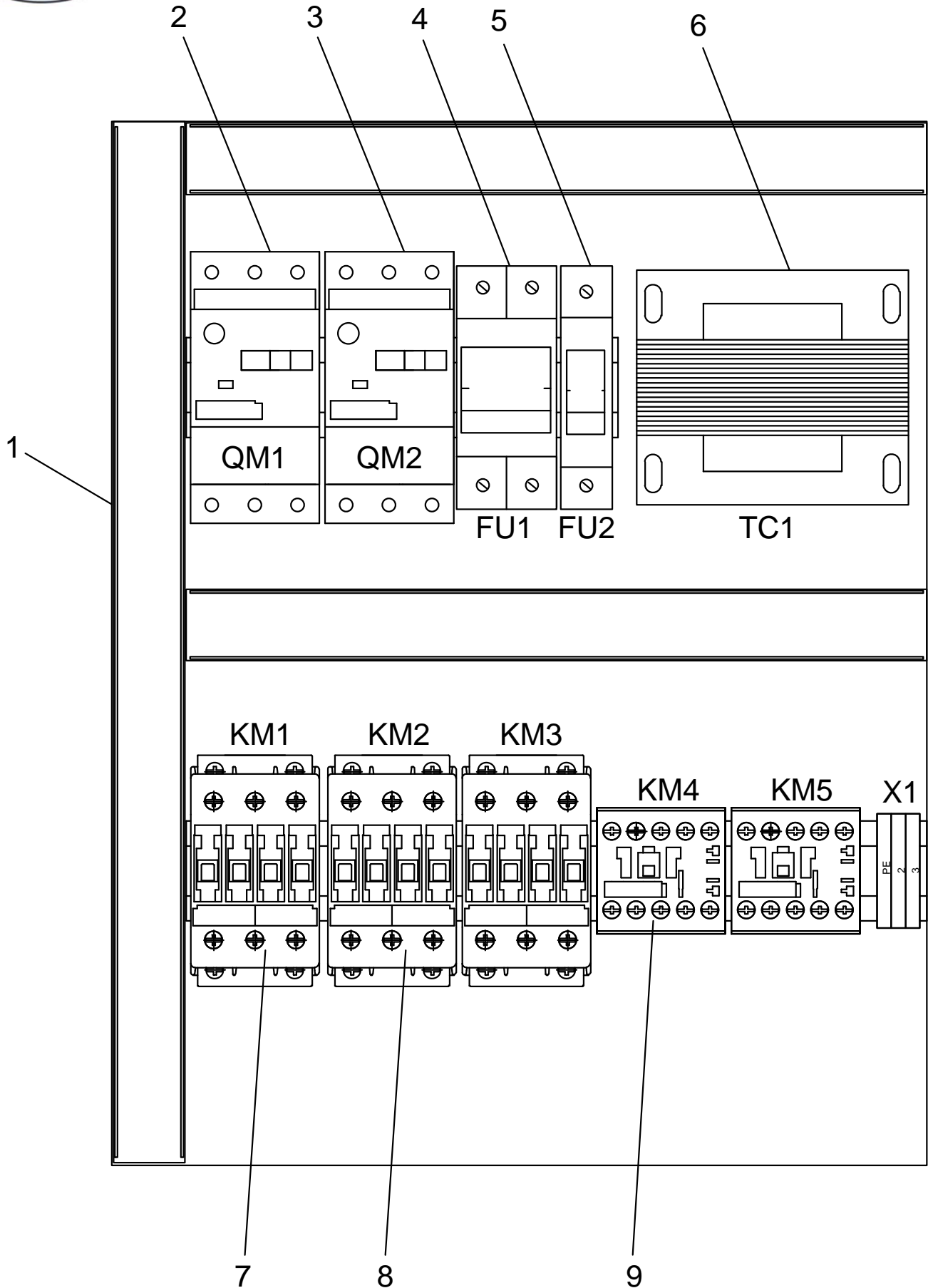


GSM175 Bowl Components

Item	Part Number	Description	Qty	Serial Number
1	P00958	Bowl Transmission Belt	3	
2	P01006	Rod	1	
3	H01029	Nut M10	2	
4	P01007	Return Tie Pin	1	
5	P00984	Lower Return Shaft	1	
6	P01063	Return Shaft Assembly (Incl. items 7-13)	1	
7		Shaft with Pulley	1	
8		Retaining Ring	1	
9	P00967	Bearing	1	
10		Spacer	1	
11		Return Shaft Support	1	
12	P00966	Bearing	1	
13		Retaining Ring	2	
14		Central Return Pulley Support	1	
15		Return Pulley	1	
16	P00957	Lower Return Belt	2	
17	P00929	Bowl Motor (M2)	1	
18		Bowl Motor Support	1	
19	P01005	Bowl Motor Rod	1	
20	H01018	Screw M8 x 25mm Hex Head	4	
21	H01029	Nut M10	1	
22	P00977	Bowl Motor Pulley	1	
23		Bowl Pulley	1	
24		Bowl Pulley Support	1	
25	H01059	Set Screw M10 x 30mm	3	
26	P01065	Bowl Support Assembly (Incl. items 27-34)	1	
27		Bowl Pulley Spacer	1	
28	P00963	Bearing	1	
29		Spacer	1	
30		Bowl Support	1	
31	H01021	Screw M10 x 30mm Hex Head	6	
32	P00965	Bearing	1	
33		Bearing Cover	1	
34	H01064	Screw M10 x 20mm Hex Head	3	
35	H01023	Screw M12 x 30mm Hex Head	4	
36	P01002	Bowl Support Shaft	1	
37	P00924	Bowl	1	



GSM175 Electrical Components



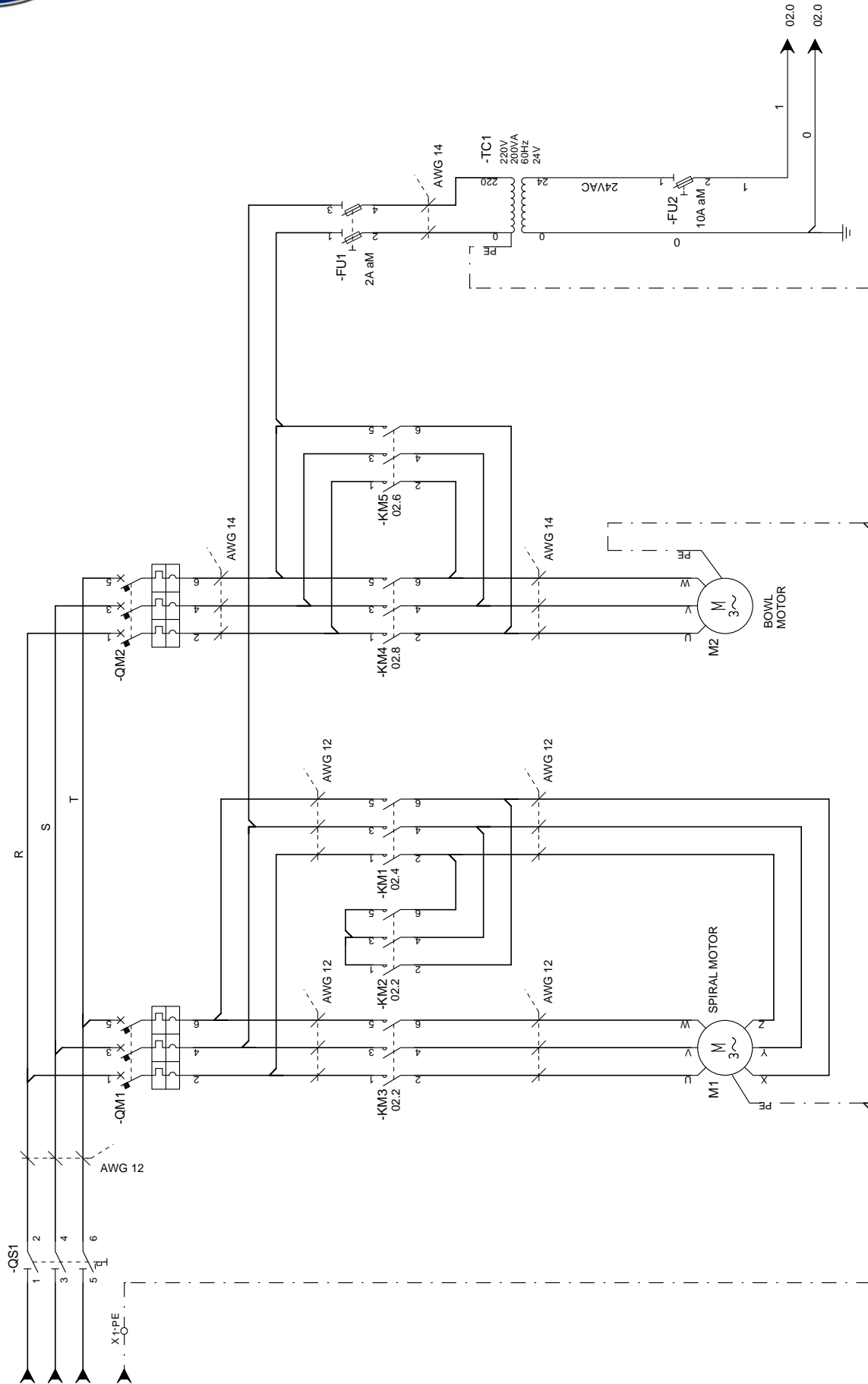


GSM175 Electrical Components

Item	Part Number	Description	Qty	Serial Number
1		Electrical System	1	
2	P01034	Circuit Breaker (QM1)	1	
3	P01035	Circuit Breaker (QM2)	1	
4	P01053	Bipolar Fuse Holder (FU1)	1	
5	P01054	Unipolar Fuse Holder (FU2)	1	
6	P01045	Transformer 200VA (TC1)	1	
7	P01443	Contactora (KM1)	1	
8	P01444	Contactora (KM2 & KM3)	2	
9	P01046	Contactora (KM4 & KM5)	2	



GSM175 Wiring Diagram





GSM175 Wiring Diagram

