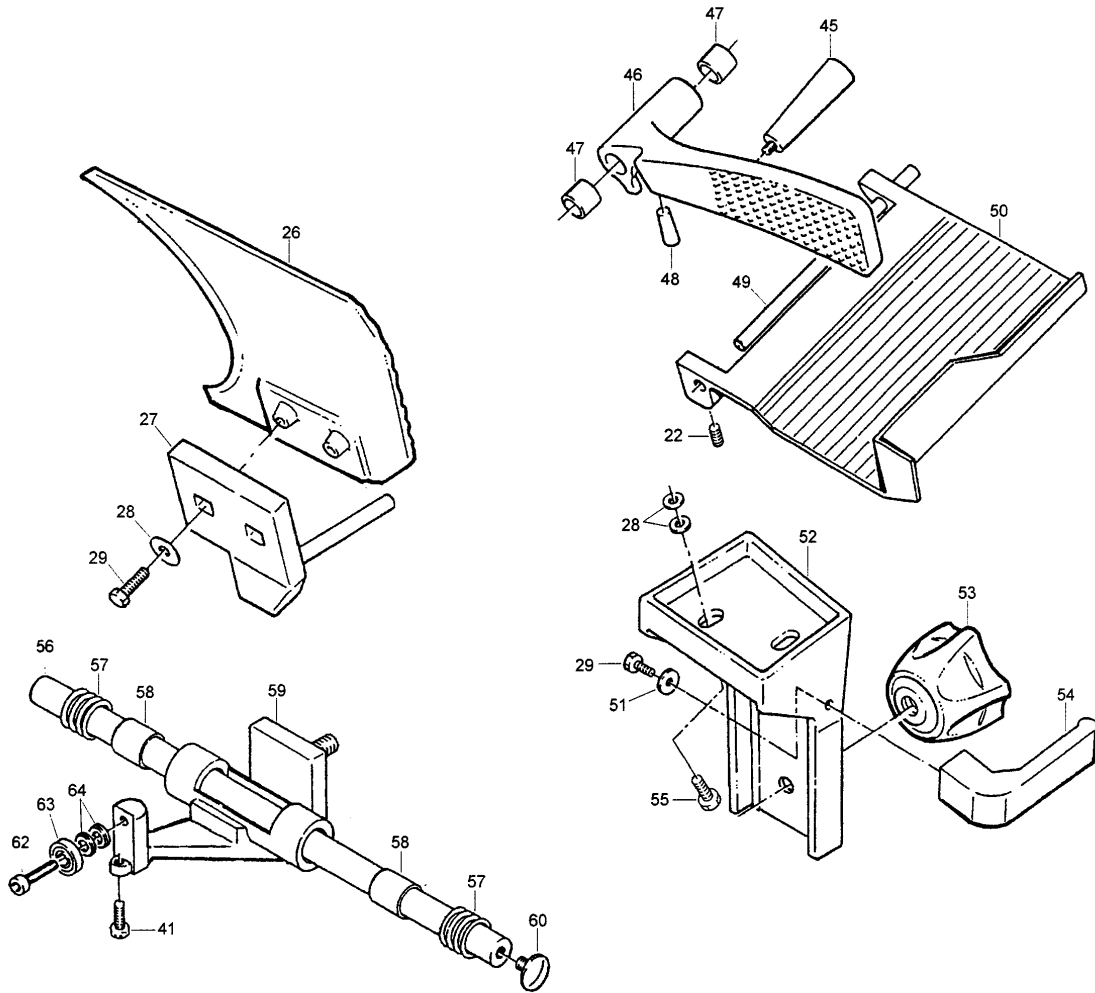


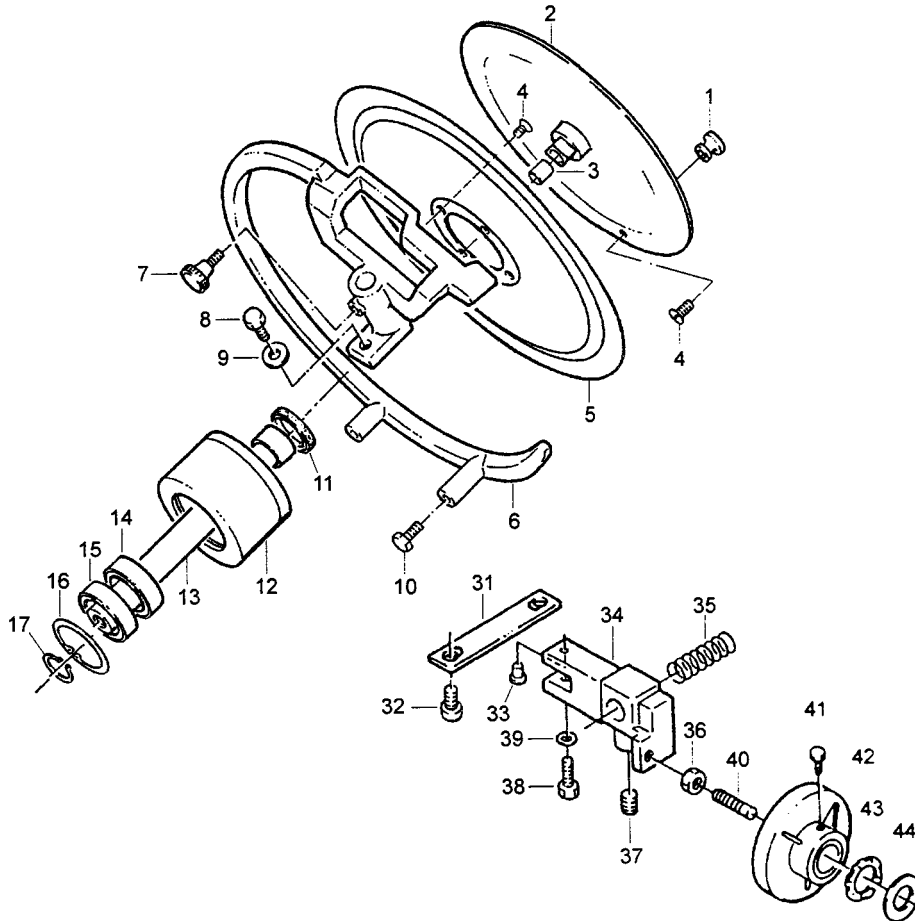
MEAT TABLE AND CARRIAGE ASSEMBLY



MEAT TABLE AND CARRIAGE ASSEMBLY

ITEM	DESCRIPTION	823E	825E
22	Grub Screw	825-00086	825-00086
26	Gauge Plate	823-00003	825E-00003
27	Gauge Plate Support	823-00004	823-00004
28	Washer	825-00006	825-00006
29	Screw	825-00089	825-00089
41	Screw	825-00021	825-00021
45	Handle, Pusher	825-00080-A	825-00080-A
46	Pusher, Complete	823-00009	825-00009
47	Bushing	823-00079	825-00079
48	Wearing Pad	823-00082	827-00082
49	Shaft	823-00084	825-00084
50	Product Table	823-00008	825-00008
51	Washer	3301-03812	3301-03812
52	Product Table Support	823-00402	823-00402
53	Knob, Carriage	823-00040-A	823-00040-A
54	Handle, Carriage	825-00037-A	825-00037-A
55	Screw	825-00087	825-00087
56	Round Rail	823-00013	823-00013
57	Spring	825-00020	825-00020
58	Bushing	823-00218	823-00218
59	Carriage, Complete	823-00012	823-00012
60	Screw	825-00050	825-00050
62	Screw	825-00017	825-00017
63	Bearing	825-00015	825-00015
64	Washer	825-00016	825-00016

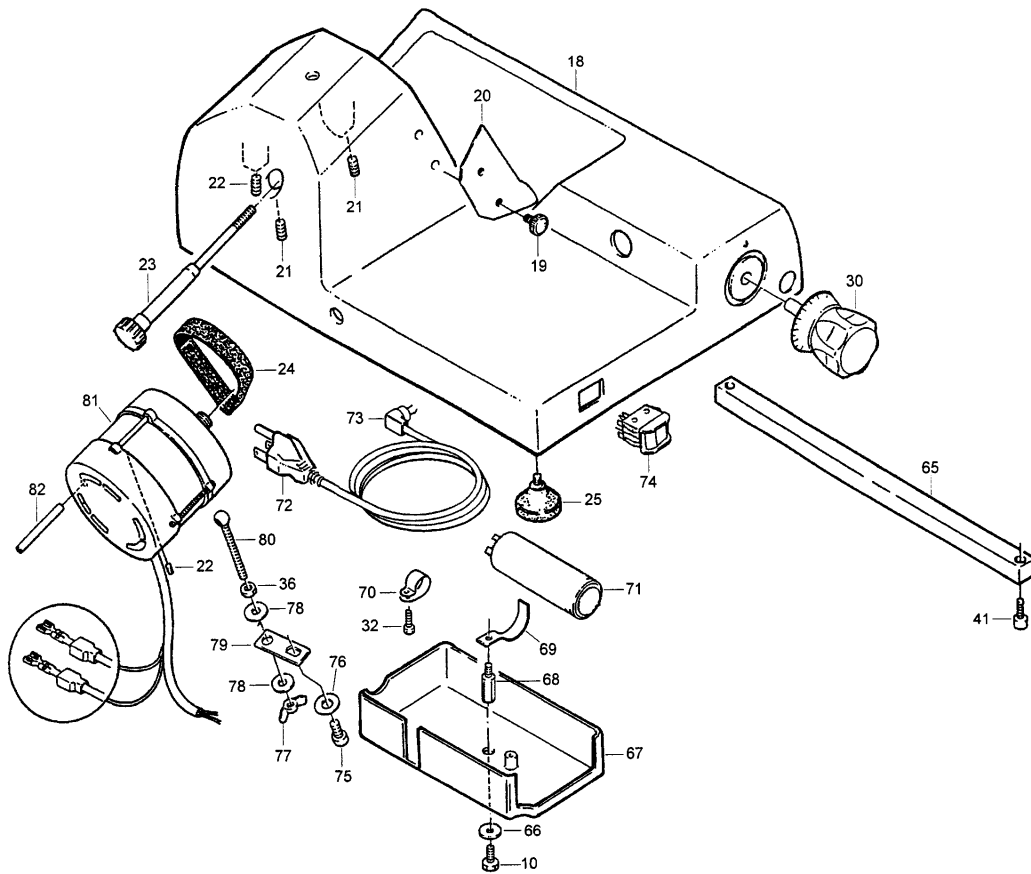
KNIFE AND GAUGE PLATE ASSEMBLY



KNIFE AND GAUGE PLATE ASSEMBLY

ITEM	DESCRIPTION	823E	825E
1	Aluminum Knob	823-00403	823-00403
2	Center Plate	823-00404	825-00401
3	Insert, Center Plate	825-00135	825-00135
4	Screw, Knife	825-00074	825-00074
5	Knife	823-00073	825-00073
6	Ring Guard	823-00408	825-00408
7	Knob	827-00103-A	827-00103-A
8	Screw	825-00101	825-00101
9	Washer	823-00123	823-00123
10	Screw	825-00021	825-00021
11	Rubber Ring	Part of #12	Part of #12
12	Pulley Assembly	823-00067-2	823-00067-2
13	Pulley Shaft	Part of #12	Part of #12
14	Bearing	Part of #12	Part of #12
15	Bearing	Part of #12	Part of #12
16	Circlip	Part of #12	Part of #12
17	Circlip	Part of #12	Part of #12
31	Plate	825-00026	825-00026
32	Screw	825-00032	825-00032
33	Nylon Pin	825-00030	825-00030
34	Support, Assembly	823-00022	823-00022
35	Spring	825-00024	825-00024
36	Nut	2175-00387	2175-00387
37	Grub Screw	825-00031	825-00031
38	Screw, Brass	Part of # 34	Part of # 34
39	Nut	Part of # 34	Part of # 34
40	Cam Pin	825-00027	825-00027
41	Screw	825-00021	825-00021
42	Index Cam	825-00025	825-00025
43	Washer, Spring	825-00095	825-00095
44	Washer	823-00405	823-00405

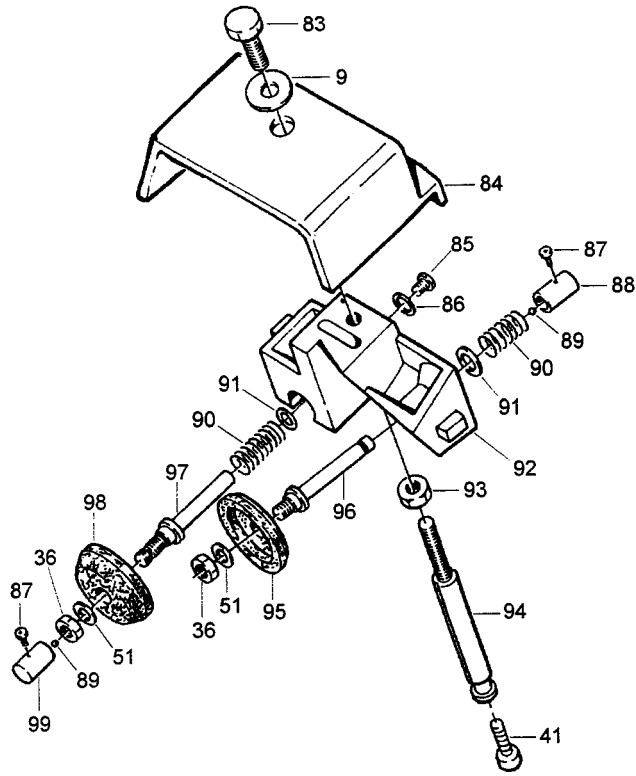
Housing and Electrical



Housing and Electrical

ITEM	DESCRIPTION	823E	825E
10	Screw	825-00021	825-00021
18	Housing	N/A	N/A
19	Knob, Slice Deflector	825-00091	825-00091
20	Slicer Deflector	825-00011	825-00011
21	Grub Screw	823-00061	823-00061
22	Grub Screw	825-00086	825-00086
23	Tie Rod, Center Plate	823-00075-A	823-00075-A
24	Ribbed Belt	825-00066-R	825-00066-R
25	Rubber Foot	825-00093	825-00093
30	Index Knob	825-00035-A	825-00035-A
32	Screw	825-00032	825-00032
36	Nut	2175-00387	2175-00387
41	Screw	825-00021	825-00021
65	Square Rail	823-00014	823-00014
66	Washer	825-00006	825-00006
67	Cover	823-00406	823-00406
68	Spacer	823-00407	823-00407
69	Clamp, Capacitor	825-00043	825-00043
70	Cord Clamp	3675-00224	3675-00224
71	Capacitor	827-00042	827-00042
72	Power Cord	4175-00031	4175-00031
73	Cord Clamp	827-00127	827-00127
74	Switch	823-00039-1	823-00039-1
75	Screw	823-00058	823-00058
76	Washer	825-00006	825-00006
77	Wing Nut	825-00056	825-00056
78	Washer	825-00006	825-00006
79	Plate, Motor	825-00055	825-00055
80	Tie Rod, Motor	825-00053	825-00053
81	Motor	823-00048-R	823-00048-R
82	Pin	825-00060	825-00060

SHARPENER ASSEMBLY



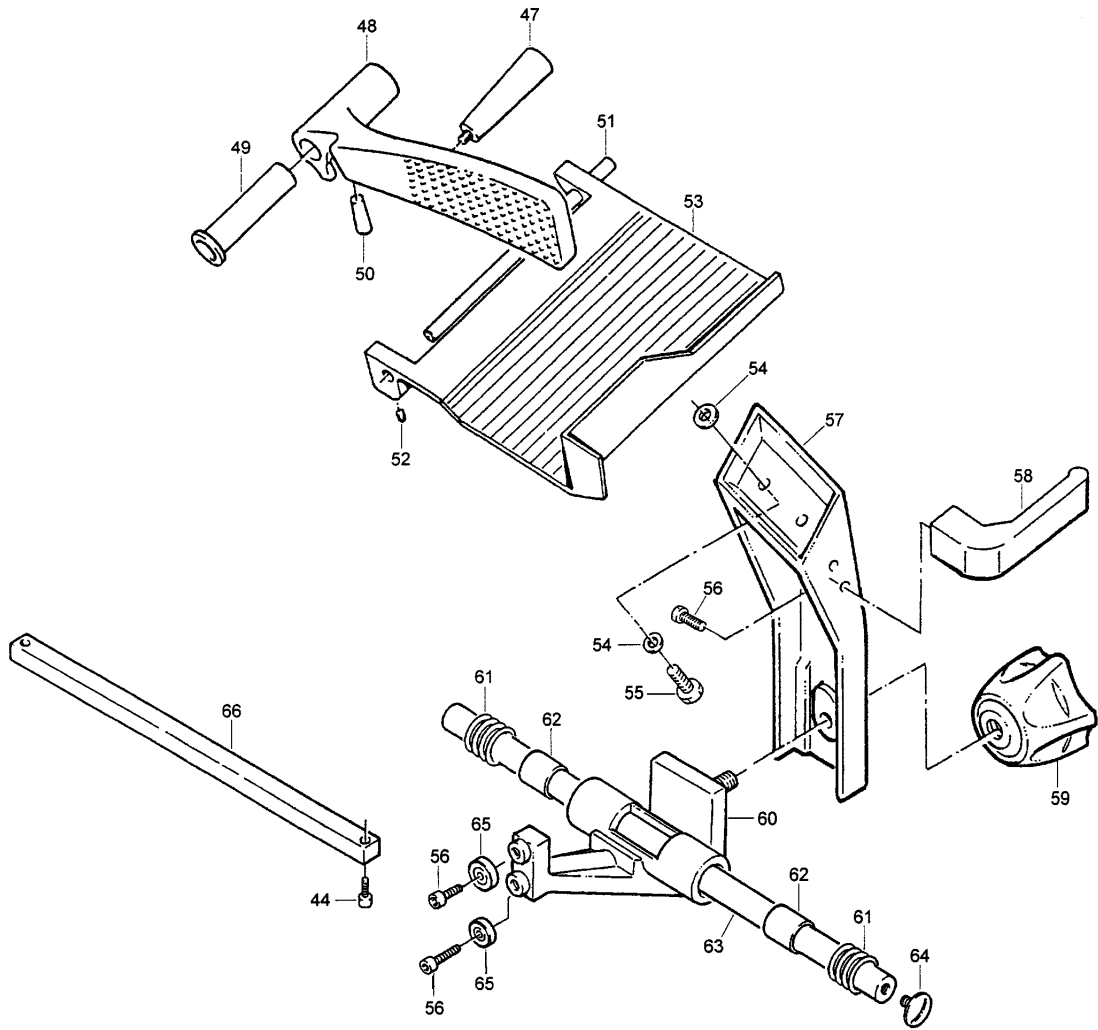
SHARPENER ASSEMBLY

ITEM	DESCRIPTION	823E	825E
9	Washer	823-00123	823-00123
36	Nut	2175-00387	2175-00387
41	Screw	825-00021	825-00021
51	Washer	3301-03812	3301-03812
83	Screw	825-00122	825-00122
84	Cover, Sharpener	823-00400	823-00400
85	Screw	S-00781	S-00781
86	Washer	823-00114	823-00114
87	Screw	825-00118	825-00118
88	Push Button	823-00401	823-00401
89	Ball, 1/8	2375-00150	2375-00150
90	Spring	825-00117	825-00117
91	Washer	3301-03812	3301-03812
92	Sharpener Frame	825-00108	825-00108
93	Nut	2101-07041	2101-07041
94	Shaft, Sharpener	823-00104	825-00104
95	Stone	825-00111	825-00111
96	Shaft	825-00109	825-00109
97	Shaft	825-00110	825-00110
98	Stone	825-00112	825-00112
99	Push Button	825-00115	825-00115
99	Push Button	825-00115	825-00115
NS	Berkel Flag	I2602RED	I2602RED
NS	Screw for Berkel Flag	V6371	V6371
N/S	Sharpener Assembly w/Cover	823E-00130	825E-00130

825A & 827E

Exploded Views

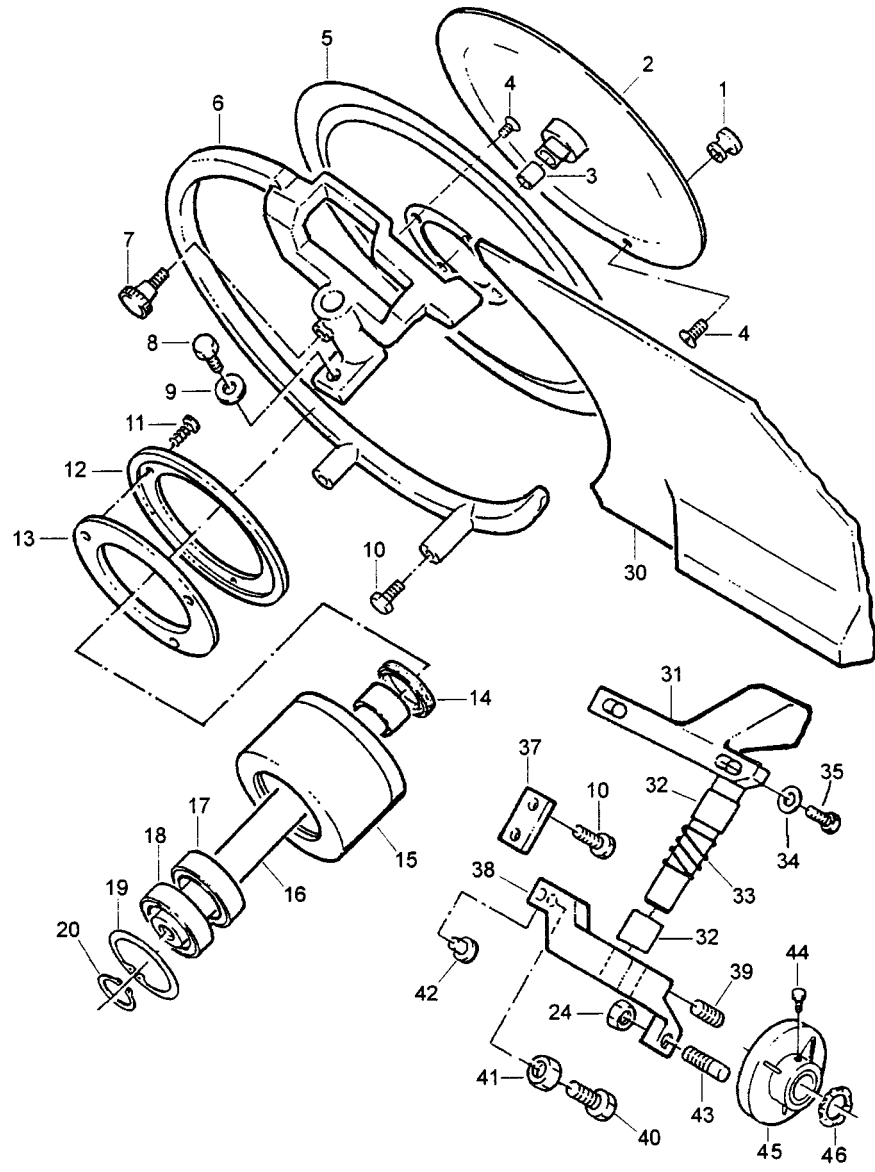
MEAT TABLE AND CARRIAGE ASSEMBLY



MEAT TABLE AND CARRIAGE ASSEMBLY

ITEM	DESCRIPTION	825A	827E
44	Screw	825-00021	825-00021
47	Handle, Pusher	825-00080-A	825-00080-A
48	Pusher, Complete	825-00009	825-00009
49	Bushing	825-00079	825-00079
50	Wearing Pad	827-00082	827-00082
51	Shaft	825-00084	825-00084
52	Grub Screw	825-00086	825-00086
53	Product Table	825-00008	827E-00008
54	Washer	825-00006	825-00006
55	Screw	825-00087	825-00087
56	Screw	825-00089	825-00089
57	Product Table Support	825A-00007	825A-00007
58	Handle, Carriage	827-00037-A	827-00037-A
59	Knob, Carriage	823-00040-A	823-00040-A
60	Carriage Assembly Complete	825-00012	825-00012
61	Spring	825-00020	825-00020
62	Bushing	823-00218	823-00218
63	Round Rail	825-00013	825-00013
64	Screw	825-00050	825-00050
65	Bearing	825-00015	825-00015
66	Square Rail	825A-00014	825A-00014

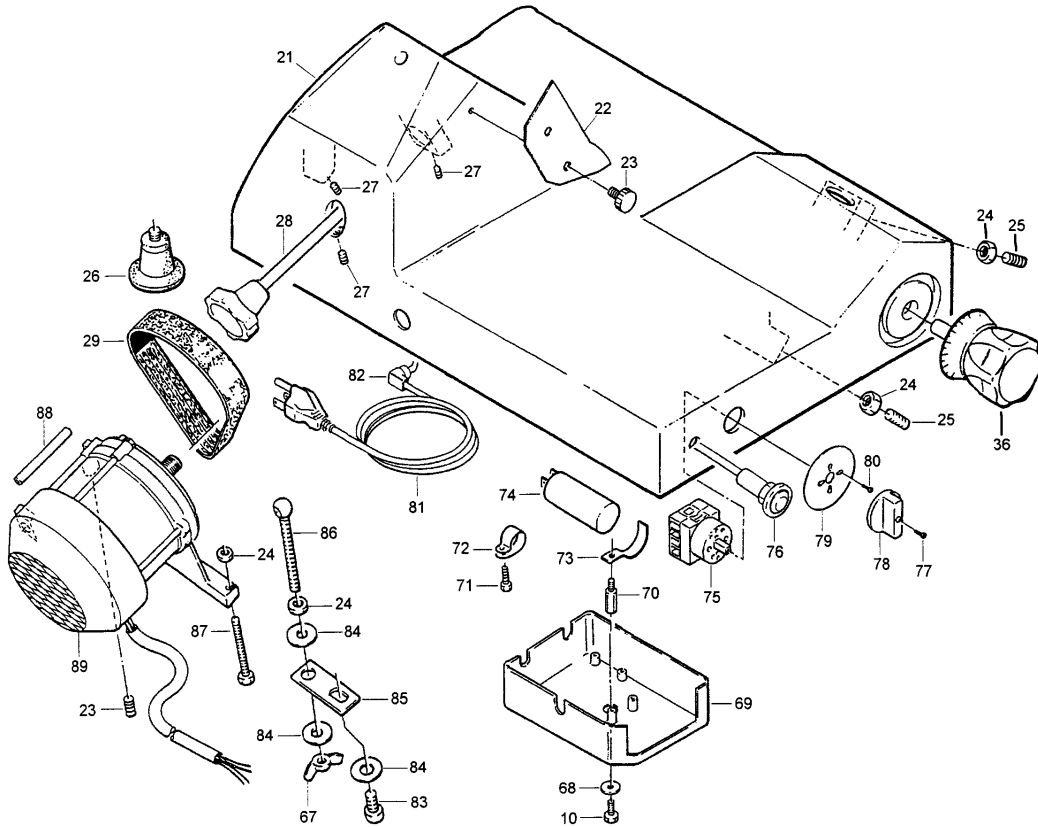
GAUGE PLATE AND KNIFE ASSEMBLY



Gauge Plate and Knife Assembly

ITEM	DESCRIPTION	825A	827E
1	Aluminum Knob	823-00403	823-00403
2	Center Plate	825-00401	827-00401
3	Insert, Center Plate	825-00135	825-00135
4	Screw, Knife	825-00074	827-00074
5	Knife	825-00073	827E-00073
6	Ring Guard	825-00408	827E-00408
7	Knob	827-00103-A	827-00103-A
8	Screw	825-00101	825-00101
9	Washer	823-00123	823-00123
10	Screw	825-00021	825-00021
11	Screw	825-00402	825-00402
12	Seal, Hard	825-00403	825-00403
13	Seal, Soft	825-00404	825-00404
14	Rubber Ring	Part of #15	Part of #15
15	Pulley Assembly	825-00067-1	827E-00067
16	Pulley Shaft	Part of #15	Part of #15
17	Bearing	Part of #15	Part of #15
18	Bearing	Part of #15	Part of #15
19	Circlip	Part of #15	Part of #15
20	Circlip	Part of #15	Part of #15
24	Nut	2101-07041	2101-07041
30	Gauge Plate	825A-00003	827E-00003
31	Gauge Plate Support	825A-00004	825A-00004
32	Bushing	825-00140	825-00140
33	Spring	825A-00024	825A-00024
34	Washer	3301-03812	3301-03812
35	Screw	825-00005	825-00005
37	Plate	825A-00026	825A-00026
38	Support	825A-00022	825A-00022
39	Grub Screw	825-00031	825-00031
40	Screw, Brass	Part of #38	Part of #38
41	Nut	Part of #38	Part of #38
42	Nylon Pin	825-00030	825-00030
43	Cam Pin	825-00027	825-00027
44	Screw	825-00021	825-00021
45	Index Cam	825A-00025	825A-00025
46	Washer	825-00095	825-00095

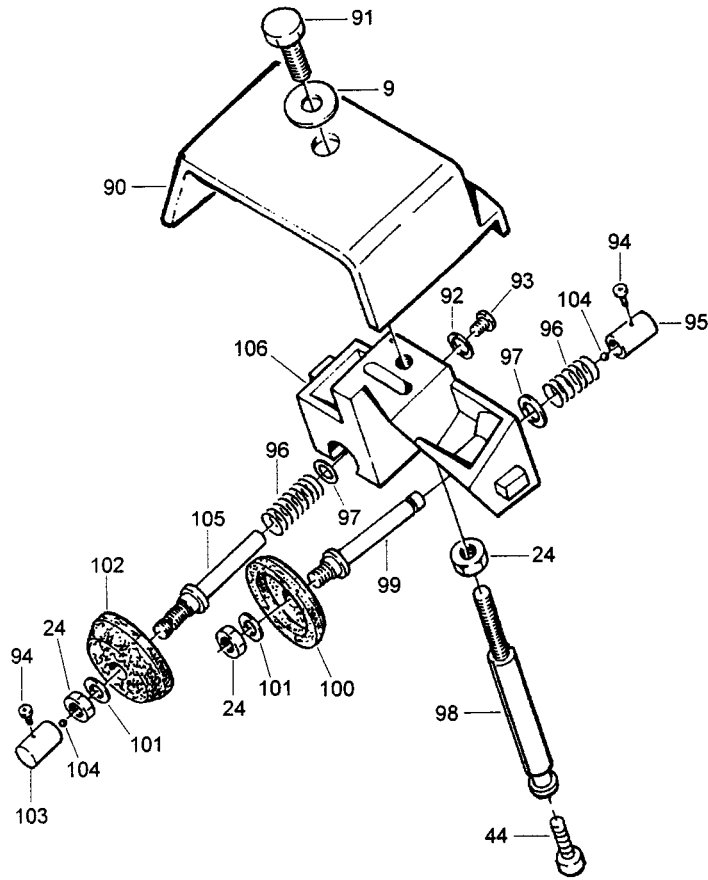
HOUSING AND ELECTRICAL



HOUSING AND ELECTRICAL

ITEM	DESCRIPTION	825A	827E
10	Screw	825-00021	825-00021
21	Housing	N/A	N/A
22	Slice Deflector	825-00011	827E-00011
23	Knob, Slice Deflector	825-00091	825-00091
24	Nut	2101-07041	2101-07041
25	Grub Screw	825A-00086	825A-00086
26	Rubber Foot	825A-00093	825A-00093
	After serial number 13000 for 825A and 15451 for 827E	827E-00093	827E-00093
27	Grub Screw	823-00061	823-00061
28	Tie Rod, Center Plate	825-00075-A	825-00075-A
29	Ribbed Belt	825-00066-R	825-00066-R
36	Index Knob	825-00035-A	825-00035-A
67	Wing Nut	825-00056	825-00056
68	Washer	825-00006	825-00006
69	Cover	825-00405	825-00405
70	Spacer	825-00407	825-00407
71	Screw	825-00032	825-00032
72	Cord Clamp	3675-00224	3675-00224
73	Plate, Capacitor	825-00043	825-00043
74	Capacitor	827-00042	827-00042
75	Switch, Complete	827A-00039-2	827A-00039-2
76	Pilot Light	825-00041	825-00041
77	Screw	827A-00400	827A-00400
78	Knob, Switch	827A-00036-2	827A-00036-2
79	Plate, Switch	827A-00039-B02	827A-00039-B02
80	Screw	827A-00401	827A-00401
81	Power Cord	4175-00031	4175-00031
82	Cord Clamp	827-00127	827-00127
83	Screw	823-00058	823-00058
84	Washer	823-00400	823-00400
85	Plate, Motor	825-00055	825-00055
86	Tie Rod, Motor	825-00053	825-00053
87	Screw	825A-00065	825A-00065
88	Pin	825-00060	825-00060
89	Motor	825-00048-R	825-00048-R

SHARPENER ASSEMBLY



SHARPENER ASSEMBLY

ITEM	DESCRIPTION	825A	827E
9	Washer	823-00123	823-00123
24	Nut	2101-07041	2101-07041
44	Screw	825-00021	825-00021
90	Cover, Sharpener (past serial #16200)	825A-00010 823-00400	823-00400
91	Screw	825-00122	825-00122
92	Washer	823-00114	823-00114
93	Screw	S-00781	S-00781
94	Screw	825-00118	825-00118
95	Push Button	823-00401	823-00401
96	Spring	825-00117	825-00117
97	Washer	3301-03812	3301-03812
98	Shaft, Sharpener	825-00104	827A-00104
99	Shaft	825-00109	825-00109
100	Stone	825-00111	825-00111
101	Washer	3301-03812	3301-03812
102	Stone	825-00112	825-00112
103	Push Button	825-00115	825-00115
104	Ball, 1/8	2375-00150	2375-00150
105	Shaft	825-00110	825-00110
106	Sharpener Frame	825-00108	825-00108
N/S	Sharpener Assembly w/Cover	825A-00130	827E-00130
N/S	Berkel Flag	I2602RED	I2602RED
N/S	Screw for Berkel Flag	V6371	V6371