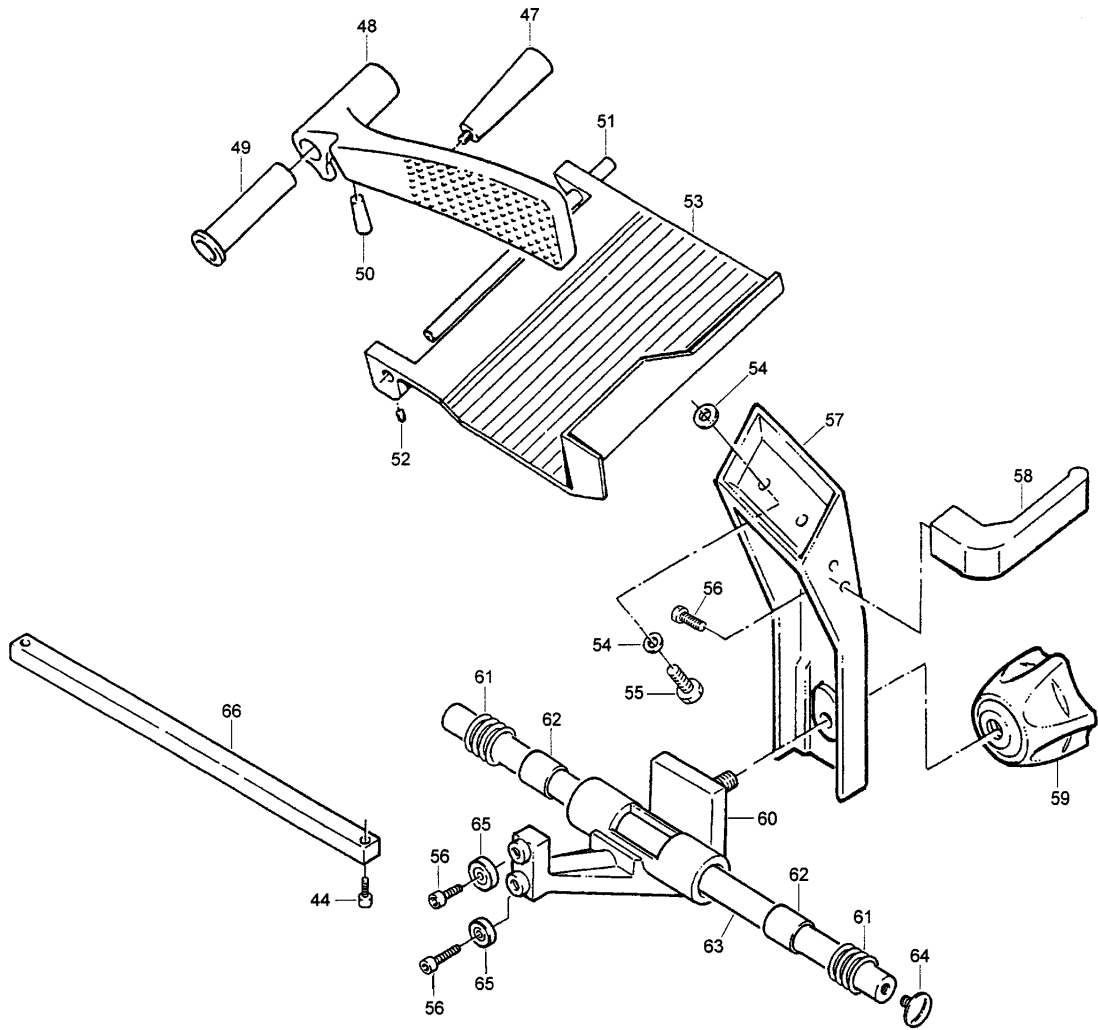


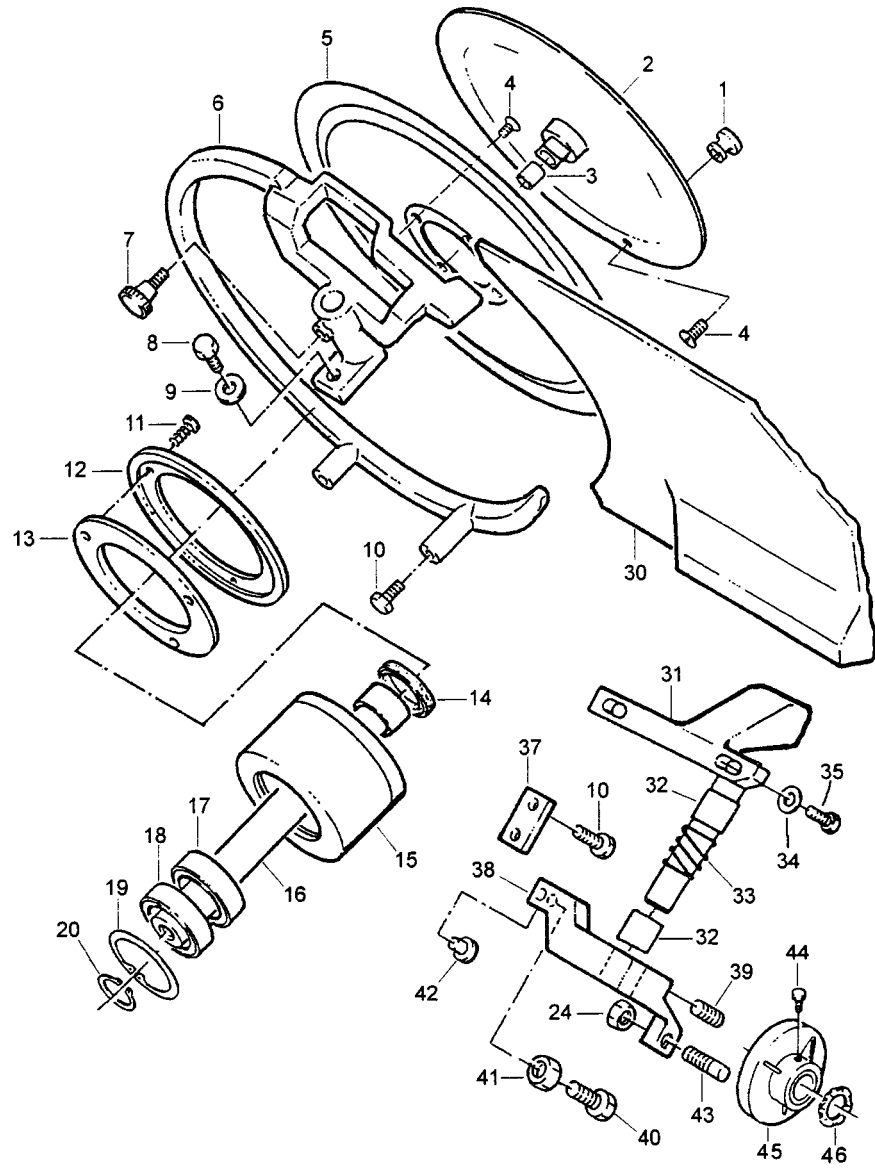
MEAT TABLE AND CARRIAGE ASSEMBLY



MEAT TABLE AND CARRIAGE ASSEMBLY

| ITEM | DESCRIPTION | 825A | 827E |
|------|----------------------------|-------------|-------------|
| 44 | Screw | 825-00021 | 825-00021 |
| 47 | Handle, Pusher | 825-00080-A | 825-00080-A |
| 48 | Pusher, Complete | 825-00009 | 825-00009 |
| 49 | Bushing | 825-00079 | 825-00079 |
| 50 | Wearing Pad | 827-00082 | 827-00082 |
| 51 | Shaft | 825-00084 | 825-00084 |
| 52 | Grub Screw | 825-00086 | 825-00086 |
| 53 | Product Table | 825-00008 | 827E-00008 |
| 54 | Washer | 825-00006 | 825-00006 |
| 55 | Screw | 825-00087 | 825-00087 |
| 56 | Screw | 825-00089 | 825-00089 |
| 57 | Product Table Support | 825A-00007 | 825A-00007 |
| 58 | Handle, Carriage | 827-00037-A | 827-00037-A |
| 59 | Knob, Carriage | 823-00040-A | 823-00040-A |
| 60 | Carriage Assembly Complete | 825-00012 | 825-00012 |
| 61 | Spring | 825-00020 | 825-00020 |
| 62 | Bushing | 823-00218 | 823-00218 |
| 63 | Round Rail | 825-00013 | 825-00013 |
| 64 | Screw | 825-00050 | 825-00050 |
| 65 | Bearing | 825-00015 | 825-00015 |
| 66 | Square Rail | 825A-00014 | 825A-00014 |

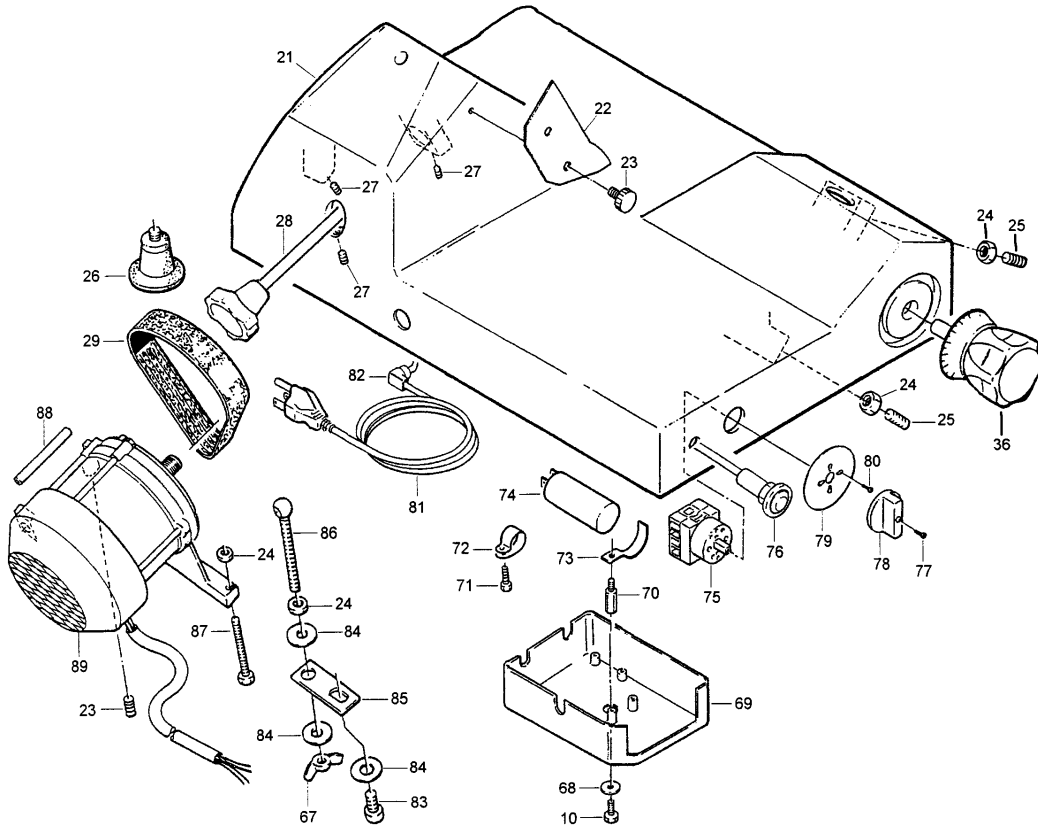
GAUGE PLATE AND KNIFE ASSEMBLY



Gauge Plate and Knife Assembly

| ITEM | DESCRIPTION | 825A | 827E |
|------|----------------------|-------------|-------------|
| 1 | Aluminum Knob | 823-00403 | 823-00403 |
| 2 | Center Plate | 825-00401 | 827-00401 |
| 3 | Insert, Center Plate | 825-00135 | 825-00135 |
| 4 | Screw, Knife | 825-00074 | 827-00074 |
| 5 | Knife | 825-00073 | 827E-00073 |
| 6 | Ring Guard | 825-00408 | 827E-00408 |
| 7 | Knob | 827-00103-A | 827-00103-A |
| 8 | Screw | 825-00101 | 825-00101 |
| 9 | Washer | 823-00123 | 823-00123 |
| 10 | Screw | 825-00021 | 825-00021 |
| 11 | Screw | 825-00402 | 825-00402 |
| 12 | Seal, Hard | 825-00403 | 825-00403 |
| 13 | Seal, Soft | 825-00404 | 825-00404 |
| 14 | Rubber Ring | Part of #15 | Part of #15 |
| 15 | Pulley Assembly | 825-00067-1 | 827E-00067 |
| 16 | Pulley Shaft | Part of #15 | Part of #15 |
| 17 | Bearing | Part of #15 | Part of #15 |
| 18 | Bearing | Part of #15 | Part of #15 |
| 19 | Circlip | Part of #15 | Part of #15 |
| 20 | Circlip | Part of #15 | Part of #15 |
| 24 | Nut | 2101-07041 | 2101-07041 |
| 30 | Gauge Plate | 825A-00003 | 827E-00003 |
| 31 | Gauge Plate Support | 825A-00004 | 825A-00004 |
| 32 | Bushing | 825-00140 | 825-00140 |
| 33 | Spring | 825A-00024 | 825A-00024 |
| 34 | Washer | 3301-03812 | 3301-03812 |
| 35 | Screw | 825-00005 | 825-00005 |
| 37 | Plate | 825A-00026 | 825A-00026 |
| 38 | Support | 825A-00022 | 825A-00022 |
| 39 | Grub Screw | 825-00031 | 825-00031 |
| 40 | Screw, Brass | Part of #38 | Part of #38 |
| 41 | Nut | Part of #38 | Part of #38 |
| 42 | Nylon Pin | 825-00030 | 825-00030 |
| 43 | Cam Pin | 825-00027 | 825-00027 |
| 44 | Screw | 825-00021 | 825-00021 |
| 45 | Index Cam | 825A-00025 | 825A-00025 |
| 46 | Washer | 825-00095 | 825-00095 |

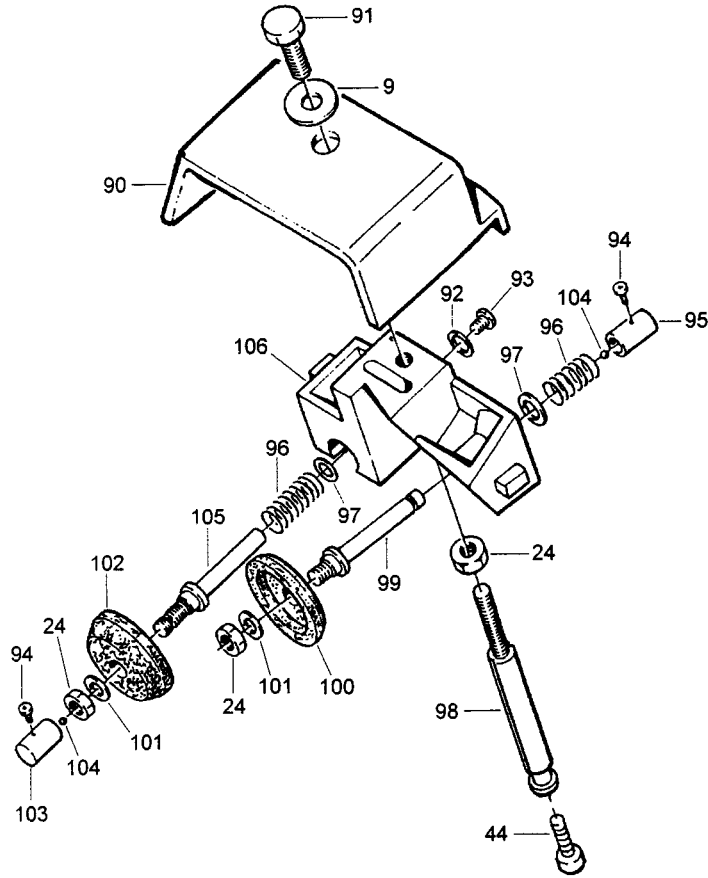
HOUSING AND ELECTRICAL



HOUSING AND ELECTRICAL

| ITEM | DESCRIPTION | 825A | 827E |
|------|---|----------------|----------------|
| 10 | Screw | 825-00021 | 825-00021 |
| 21 | Housing | N/A | N/A |
| 22 | Slice Deflector | 825-00011 | 827E-00011 |
| 23 | Knob, Slice Deflector | 825-00091 | 825-00091 |
| 24 | Nut | 2101-07046 | 2101-07046 |
| 25 | Grub Screw | 825A-00086 | 825A-00086 |
| 26 | Rubber Foot | 825A-00093 | 825A-00093 |
| | After serial number 13000 for 825A and 15451 for 827E | 827E-00093 | 827E-00093 |
| 27 | Grub Screw | 823-00061 | 823-00061 |
| 28 | Tie Rod, Center Plate | 825-00075-A | 825-00075-A |
| 29 | Ribbed Belt | 825-00066-B | 825-00066-B |
| 36 | Index Knob | 825-00035-A | 825-00035-A |
| 67 | Wing Nut | 825-00056 | 825-00056 |
| 68 | Washer | 825-00006 | 825-00006 |
| 69 | Cover | 825-00405 | 825-00405 |
| 70 | Spacer | 825-00407 | 825-00407 |
| 71 | Screw | 825-00032 | 825-00032 |
| 72 | Cord Clamp | 3675-00224 | 3675-00224 |
| 73 | Plate, Capacitor | 825-00043 | 825-00043 |
| 74 | Capacitor | 827-00042 | 827-00042 |
| 75 | Switch, Complete | 827A-00039-02 | 827A-00039-02 |
| 76 | Pilot Light | 825-00041 | 825-00041 |
| 77 | Screw | 827A-00400 | 827A-00400 |
| 78 | Knob, Switch | 827A-00036-02 | 827A-00036-02 |
| 79 | Plate, Switch | 827A-00039-B02 | 827A-00039-B02 |
| 80 | Screw | 827A-00401 | 827A-00401 |
| 81 | Power Cord | 4175-00031 | 4175-00031 |
| 82 | Cord Clamp | 827-00127 | 827-00127 |
| 83 | Screw | 823-00058 | 823-00058 |
| 84 | Washer | 823-00400 | 823-00400 |
| 85 | Plate, Motor | 825-00055 | 825-00055 |
| 86 | Tie Rod, Motor | 825-00053 | 825-00053 |
| 87 | Screw | 825A-00065 | 825A-00065 |
| 88 | Pin | 825-00060 | 825-00060 |
| 89 | Motor | 825-00048-R | 825-00048-R |

SHARPENER ASSEMBLY



SHARPENER ASSEMBLY

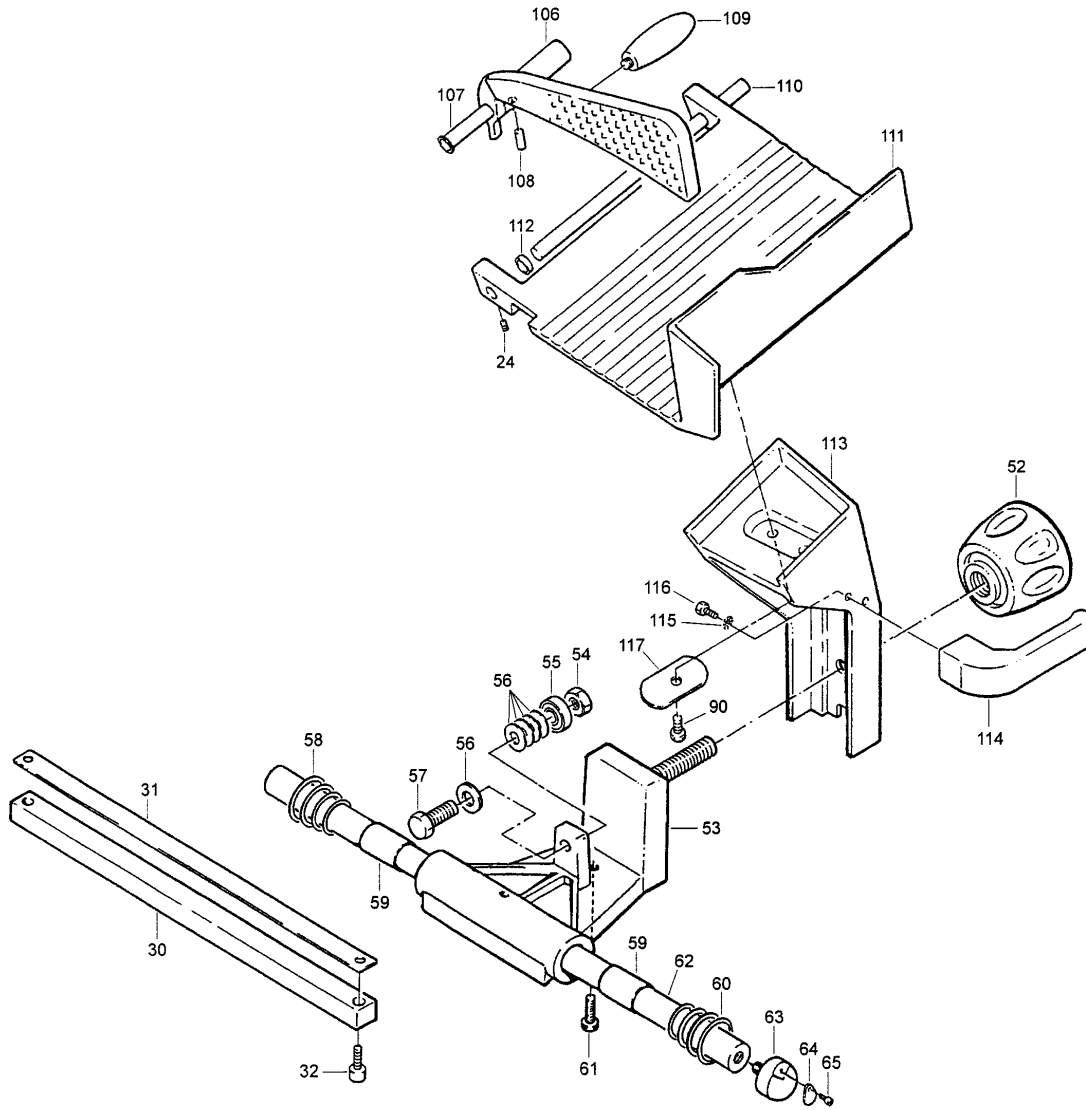
| ITEM | DESCRIPTION | 825A | 827E |
|------|--|-------------------------|------------|
| 9 | Washer | 823-00123 | 823-00123 |
| 24 | Nut | 2101-07041 | 2101-07041 |
| 44 | Screw | 825-00021 | 825-00021 |
| 90 | Cover, Sharpener (past serial #16200) | 825A-00010 823-00400 | 823-00400 |
| 91 | Screw | 825-00122 | 825-00122 |
| 92 | Washer | 823-00114 | 823-00114 |
| 93 | Screw | S-00781 | S-00781 |
| 94 | Screw | 825-00118 | 825-00118 |
| 95 | Push Button | 823-00401 | 823-00401 |
| 96 | Spring | 825-00117 | 825-00117 |
| 97 | Washer | 3301-03812 | 3301-03812 |
| 98 | Shaft, Sharpener | 825-00104 | 827A-00104 |
| 99 | Shaft | 825-00109 | 825-00109 |
| 100 | Stone | 825-00111 | 825-00111 |
| 101 | Washer | 3301-03812 | 3301-03812 |
| 102 | Stone | 825-00112 | 825-00112 |
| 103 | Push Button | 825-00115 | 825-00115 |
| 104 | Ball, 1/8 | 2375-00150 | 2375-00150 |
| 105 | Shaft | 825-00110 | 825-00110 |
| 106 | Sharpener Frame | 825-00108 | 825-00108 |
| N/S | Sharpener Assembly w/Cover | 825A-00130 | 827E-00130 |
| N/S | Berkel Flag | I2602RED | I2602RED |
| N/S | Screw for Berkel Flag | V6371 | V6371 |

827A

Exploded Views

Beginning with Date Code 0102
(Located on the serial plate)

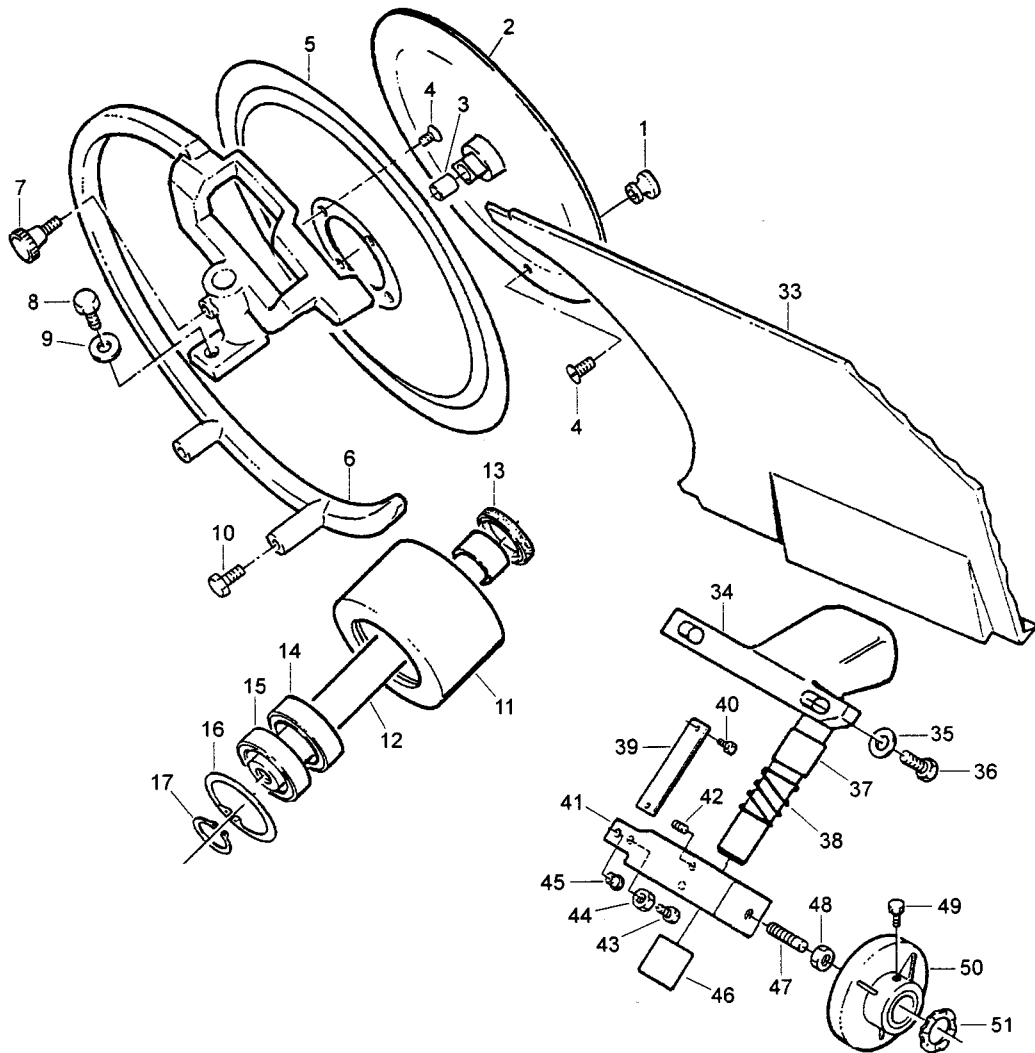
MEAT TABLE AND CARRIAGE ASSEMBLY



Meat Table and Carriage Assembly

| ITEM | DESCRIPTION | PART NUMBER |
|------|----------------------------|--------------|
| 24 | Grub Screw | 827-00086 |
| 30 | Square Rail | 827A-00014 |
| 31 | Plate | 827-00092 |
| 32 | Screw | 827-00021 |
| 52 | Knob, Carriage | 827A-00040 |
| 53 | Carriage Assembly Complete | 827-00012 |
| 54 | Nut | CU-00008 |
| 55 | Bearing | 827-00015 |
| 56 | Spacer | 827-00016 |
| 57 | Screw | 827-00017 |
| 58 | Spring, Long | 827-00020 |
| 59 | Bushing | 827-00218 |
| 60 | Spring, Short | 827-00020 |
| 61 | Nylon Screw | 827-00129 |
| 62 | Round Rail | 827-00013 |
| 63 | Oil Screw | 827-00099 |
| 64 | Oil Plate | 827-00097 |
| 65 | Rivet | 827-00096 |
| 90 | Screw | 825-00122 |
| 106 | Pusher, Complete | 827A-00009 |
| 107 | Bushing | 827-00079-N |
| 108 | Wearing Pad | 827-00082 |
| 109 | Handle, Pusher | 827-00080 |
| 110 | Shaft | 827-00084 |
| 111 | Product Table | 827-00008-N |
| 112 | Nylon Spacer | 827-00400 |
| 113 | Product Table Support | 827A-00007 |
| 114 | Handle, Carriage | 827A-00037-A |
| 115 | Washer | 2101-08515 |
| 116 | Screw | 825-00089 |
| 117 | Plate | 827-00131 |

KNIFE AND GAUGE PLATE ASSEMBLY



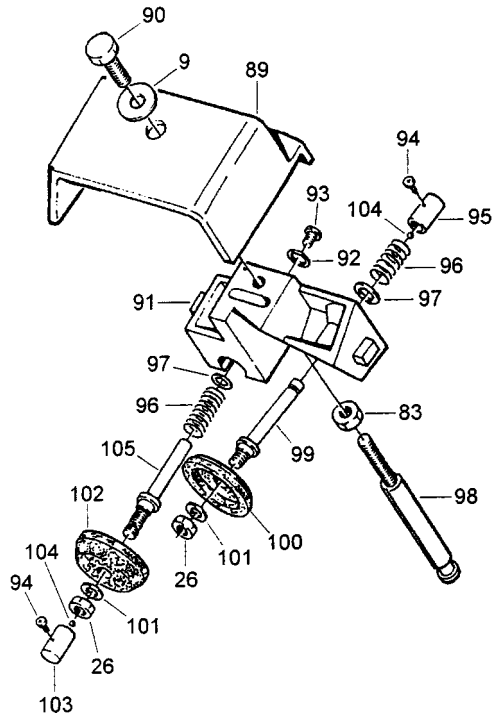
Knife and Gauge Plate Assembly

| ITEM | DESCRIPTION | PART NUMBER |
|------|----------------------|--------------|
| 1 | Aluminum Knob | 823-00403 |
| 2 | Center Plate | 827-00402 |
| 3 | Insert, Center Plate | 827-00135 |
| 4 | Screw, Knife | 827-00074 |
| 5 | Knife | 827-00073 |
| 6 | Ring Guard | 827E-00408 |
| 7 | Knob | 827-00103-A |
| 8 | Screw | 825-00101 |
| 9 | Washer | 823-00123 |
| 10 | Screw | 825-00087 |
| 11 | Pulley Assembly | 827A-00067-1 |
| 12 | Pulley Shaft | Part of #11 |
| 13 | Rubber Ring | 827-00209 |
| 14 | Bearing | 2375-00103 |
| 15 | Bearing | 2375-00103 |
| 16 | Circlip | 825-00071 |
| 17 | Circlip | 825-00072 |
| 33 | Gauge Plate | 827A-00003-1 |
| 34 | Gauge Plate Support | 827A-00004 |
| 35 | Washer | 3301-03812 |
| 36 | Screw | 825-00005 |
| 37 | Bushing | 827-00219 |
| 38 | Spring | 827A-00024 |
| 39 | Plate | 827-00026 |
| 40 | Screw | 827-00032 |
| 41 | Support, Complete | 827A-00022 |
| 42 | Grub Screw | 827-00031 |
| 43 | Screw, Brass | 827-00028 |
| 44 | Nut | 2101-07046 |
| 45 | Nylon Pin | 825-00030 |
| 46 | Bushing | 827-00219 |
| 47 | Cam Pin | 827-00027 |
| 48 | Nut | 2101-07046 |
| 49 | Screw | 825-00021 |
| 50 | Index Cam | 827-00025 |
| 51 | Washer | 825-00095 |

HOUSING AND ELECTRICAL

| ITEM | DESCRIPTION | PART NUMBER |
|------|-----------------------|----------------|
| 9 | Washer | 823-00123 |
| 18 | Housing | N/A |
| 19 | Slice Deflector | 827-00011 |
| 20 | Knob, Slice Deflector | 827A-00091 |
| 21 | Grub Screw | 827-00078 |
| 22 | Screw | 827-00050 |
| 23 | Grub Screw | 823-00061 |
| 24 | Grub Screw | 827-00086 |
| 25 | Tie Rod, Center Plate | 827A-00075-A |
| 26 | Nut | 827-00146 |
| 27 | Grub Screw | 827-00086 |
| 28 | Rubber Foot | 827-00093 |
| 29 | Index Knob | 827-00035-A |
| 44 | Nut | 827-00029 |
| 48 | Nut | 827-00033 |
| 66 | Power Cord | 4175-00031 |
| 67 | Screw | 827A-00400 |
| 68 | Knob, Switch | 827A-00036-2 |
| 69 | Screw | 827A-00401 |
| 70 | Plate, Switch | 827A-00039-B02 |
| 71 | Switch, Complete | 827A-00039-2 |
| 72 | Pilot Light | 825-00041 |
| 73 | Cord Clamp | 3675-00224 |
| 74 | Spacer | 825-00407 |
| 75 | Screw | 825-00032 |
| 76 | Plate, Capacitor | 825-00043 |
| 77 | Capacitor | 827-00042 |
| 78 | Cover | 825-00405 |
| 79 | Washer | 825-00006 |
| 80 | Screw | 825-00021 |
| 81 | Screw | 827-00058 |
| 82 | Plate, Motor | 825-00055 |
| 83 | Nut | 2101-07046 |
| 84 | Tie Rod, Motor | 827A-00053 |
| 85 | Screw | 2101-01079 |
| 86 | Motor | 827A-00048 |
| 87 | Screw | 827A-00060 |
| 88 | Ribbed Belt | 827-00066-B |
| 118 | Cord Clamp | 827-00127 |

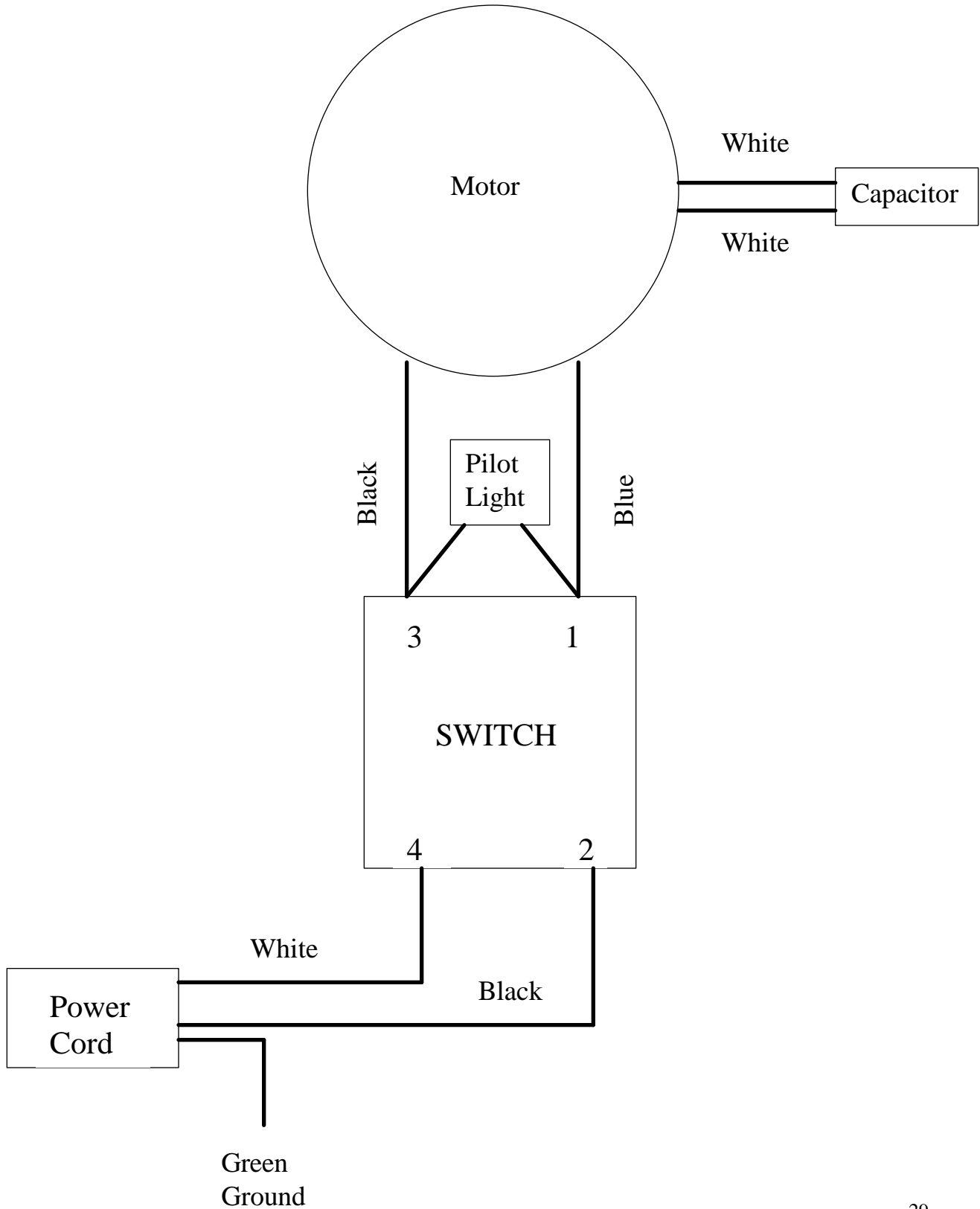
SHARPENER ASSEMBLY



Sharpener Assembly

| ITEM | DESCRIPTION | PART NUMBER |
|------|----------------------------|-------------|
| 9 | Washer | 823-00123 |
| 26 | Nut | 2101-07008 |
| 83 | Nut | 2101-07041 |
| 89 | Cover, Sharpener | 825A-00010 |
| 90 | Screw | 825-00122 |
| 91 | Sharpener Frame | 825-00108 |
| 92 | Washer | 823-00114 |
| 93 | Screw | S-00781 |
| 94 | Screw | 825-00118 |
| 95 | Push Button | 823-00401 |
| 96 | Spring | 825-00117 |
| 97 | Washer | 3301-03812 |
| 98 | Shaft, Sharpener | 827A-00104 |
| 99 | Shaft | 825-00109 |
| 100 | Stone | 825-00111 |
| 101 | Washer | 3301-03812 |
| 102 | Stone | 825-00112 |
| 103 | Push Button | 825-00115 |
| 104 | Ball, 1/8 | 2375-00150 |
| 105 | Shaft | 825-00110 |
| N/S | Berkel Flag | I2062RED |
| N/S | Screw for Berkel Flag | V6371 |
| N/S | Sharpener Assembly w/Cover | 827A-00130 |

Rotary Switch Wiring



Wiring diagram for 827 and 825 slicers with center plate interlock. This is the new style box that replaces the switch/relay assembly, part number 827-00039.

