

Parts Catalog



SP20

Mixer

Model: SP20

02/28/17 Rev. -
IMPORTANT!

TO EXPEDITE SHIPMENT OF PARTS, ALWAYS SPECIFY MODEL, REV,
PART NUMBER, AND SERIAL NUMBER OF UNIT.

GLOBE FOOD EQUIPMENT COMPANY

2215 East River Road
Dayton, Ohio 45439

Parts Department

Toll Free 1-800-745-6238 · Fax (937) 290-0585

E-Mail: info@globefoodequip.com

Website: www.globefoodequip.com

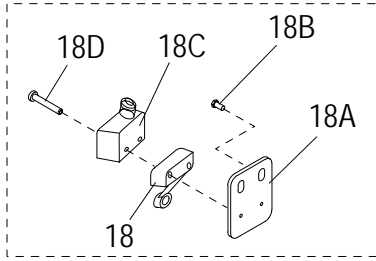
Not for resale

Table of Contents

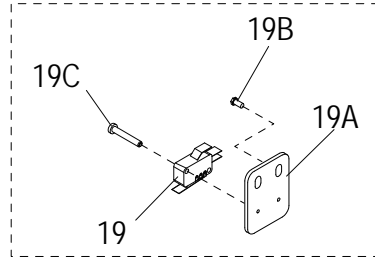
Description	Page
SP20 Base Components	4
SP20 Head Components	8
SP20 Hub Assembly Components	10
SP20 Planetary Components	12
SP20 Gearbox Components	14
SP20 Motor Components	18
SP20 Manual and Digital Timer	20
SP20 Electrical Diagram - 120V Single Phase - Prior	22
SP20 Electrical Diagram - 120V Single Phase - Prior	23
SP20 Wiring Diagram - 120V Single Phase - Post	24



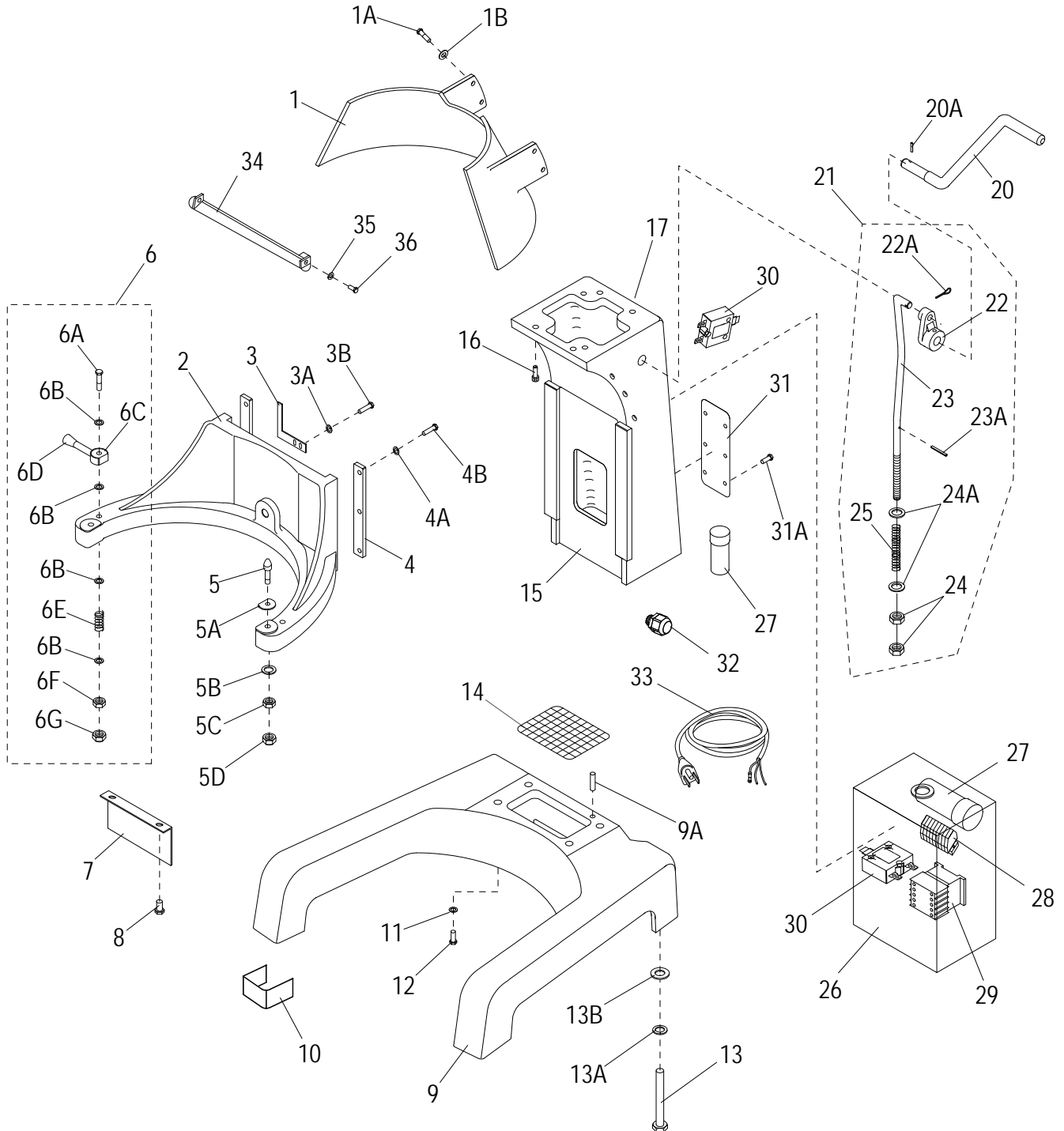
SP20 Base Components



EXTERNAL ELECTRICAL SYSTEM.
PRIOR TO S/N 7212460.



*INTERNAL ELECTRICAL SYSTEM
STARTING WITH S/N 7212461.





SP20 Base Components

Item	Part Number	Description	Qty	Serial Number
1	X20023	Rear Guard	1	
1A		Screw M6x14mm Hex Hd	4	
1B		Washer M6 Flat	4	
2	X20021-DG	Bowl Cradle	1	
3	X10190	Touch Mass	1	
3A		Washer M4 Split Lock	2	
3B		Screw M4x14mm Hex Hd	2	
4	X20022	Bowl Slide	2	
4A		Washer M6 Split Lock	6	
4B		Screw M6x14mm Hex Hd	6	
5	X20087	Dowel Screw	2	
5A		D Washer	2	
5B		Washer M8 Split Lock	2	
5C		Nut M8 Hex	2	
5D	X10088	Nut M8 Acorn	2	
6	X10020	Bowl Clamp Assembly (Set/2)	1	
6A	X20086	Bowl Clamp Screw	2	
6B	X10189	Washer M8 Flat	8	
6C	X10020-1	Bowl Clamp (Set/2)	1	
6D		Bowl Clamp Handle	2	
6E		Spring	2	
6F		Nut M8 Hex	2	
6G		Nut M8 Acorn	2	
7		Cover, Cradle	1	
8	X40056	Screw M6x8mm Hex Hd	2	
9	X20024-DG	Mixer Base	1	
9A		Dowel Pin Ø8x16mm	2	
10	X10136	Front/Rear Rubber Feet (Set/4)	4	
11	X10034	Washer M10 Flat	4	
12		Screw M10x40mm Hex Hd	4	
13	X10025	Screw M10x50mm Hex Hd	4	
13A		Washer M10 Split Lock	4	
13B	X10034	Washer M10 Flat	4	
14	X20031	Screen	1	
15	X20035-1-DG	Mixer Column	0	
16	X08077	Screw M8x25mm Hex Hd	4	
17	X91014	Label, Hazardous Voltage	(Not Shown)	
18	X30219	Microswitch, Bowl Lift	Ext. Elect. Sys.	1 ->7212460
18A	X30216	Bracket, Microswitch Mounting	Ext. Elect. Sys.	1 ->7212460
18B	X30217	Screw M6x8mm Truss Hd	Ext. Elect. Sys.	2 ->7212460
18C	X10084	Cover, Microswitch	Ext. Elect. Sys.	1 ->7212460
18D	X30218	Screw M4x24mm Pan Hd & Flatwasher	Ext. Elect. Sys.	2 ->7212460
19	X10057	Microswitch, Interlock	Int. Elect. Sys.	1 7212460 ->
19A	X30216	Bracket, Microswitch Mounting	Int. Elect. Sys.	1 7212460 ->
19B	X30217	Screw M6x8mm Truss Hd	Int. Elect. Sys.	2 7212460 ->
19C	X30218	Screw M4x24mm Pan Hd & Flatwasher	Int. Elect. Sys.	2 7212460 ->
20	X20040	Bowl Lift Arm	1	
20A	X10039	Dowel Pin Ø5x30mm	1	
21	X20037A	Bowl Lift Arm Assembly	1	
22		Bowl Lift Cam	1	
22A		Cotter Pin	1	
23		Bowl Lift Rod	1	
23A		Roll Ø3x28mm Pin	1	



SP20 Base Components

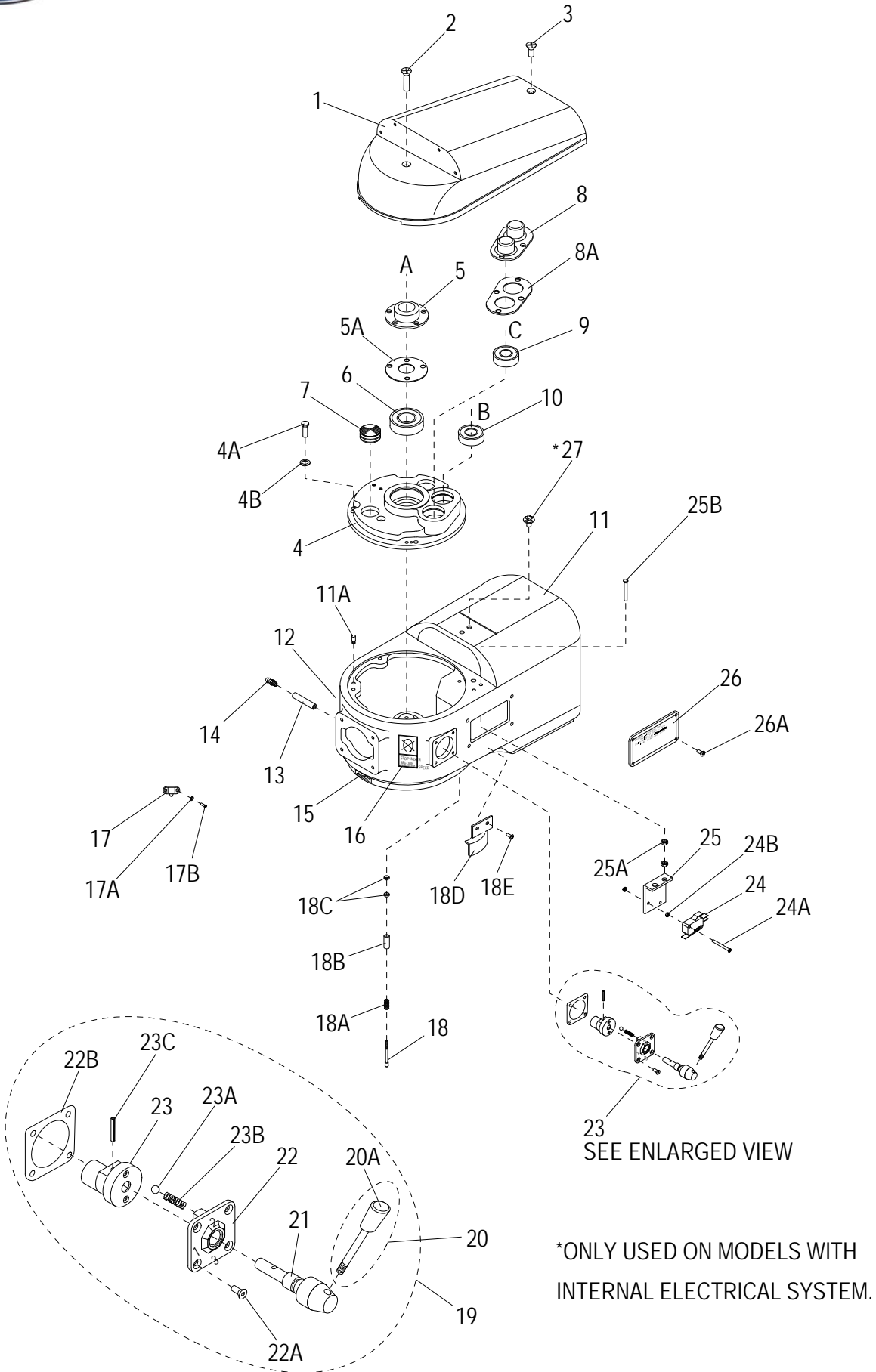
Item	Part Number	Description	Qty	Serial Number
24		Nut M10 Hex	2	
24A		Washer M10 Flat	2	
25		Spring	1	
26	X10030	Electrical Box	1	Ext. Elect. Sys. ->7212460
26	X10030	Electrical Box	1	Int. Elect. Sys. 7212461 ->
27	X20026	Capacitor, Start - 300Mf	1	Ext. Elect. Sys. ->7212460
27	X20026	Capacitor, Start - 300Mf	1	Int. Elect. Sys. 7212461 ->
28	X10029A	Connecting Block Set	1	Ext. Elect. Sys. ->7212460
28	X10029A	Connecting Block Set	1	Int. Elect. Sys. 7212461 ->
28	X10029-2G	Connecting Block, Gray (2C)	7	
28	X10029-EC	Connecting Block End Cap	1	
29	X20028	Contactora	1	->7212460
30	X20027-1	Circuit Breaker (Old Style, 8A)	1	
30	X20027-2	Circuit Breaker (New Style 13A)	1	
31	X10191	Cover Plate	1	->7212460
31A	X25051	Screw M5x6mm Truss Hd	4	->7212460
32		Strain Relief	1	->7212460
33		Power Cord And Plug	1	->7212460
34	X20184	Front Guard, Mixer Column	1	->7212460
35		Washer M6 Flat	2	->7212460
36	X40056	Screw M6x8mm Hex Hd	2	->7212460



INTENTIONALLY LEFT BLANK PAGE



SP20 Head Components



*ONLY USED ON MODELS WITH INTERNAL ELECTRICAL SYSTEM.

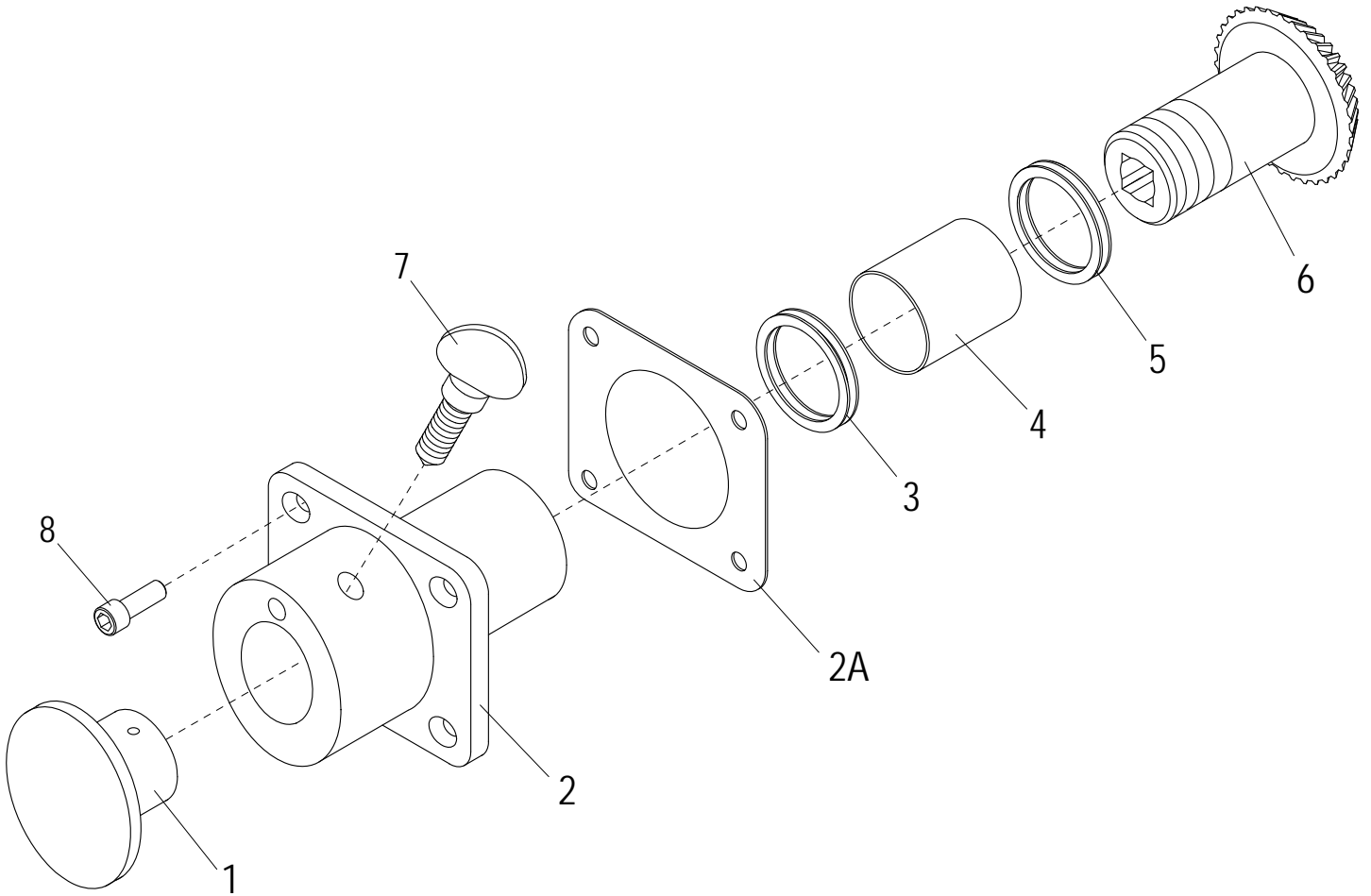


SP20 Head Components

Item	Part Number	Description	Qty	Serial Number
1	X10001-2-DG	Transmission Cover-Front Controls	1	
1	X10001-1	Transmission Cover-Side Controls	1	
2	X10180	Screw M6x30mm Flat Hd - Transmission Cover, Front	1	
3	X10181	Screw M6x15mm Flat Hd - Transmission Cover, Rear	1	
4	X10074	Transmission Case Lid	1	
4A		Screw M6x16mm Hex Hd	4	
4B		Washer M6 Split Lock	4	
5	X10072	Bearing Retainer Cap	1	
5A	X10187	Gasket, Bearing Retainer	1	
6	X10010	Ball Bearing	1	
7	X10073	Oil Plug	1	
8	X10071	Twin Bearing Retainer	1	
8A	X10188	Gasket, Twin Bearing Retainer	1	
9	X10068	Ball #35 Bearing	1	
10	X10068	Ball #35 Bearing	1	
11	X10059	Case, Transmission - Fixed Bowl Guard	1	
11	X10059-1	Case, Transmission - Removable Bowl Guard	1	
11A		Locating Pin Ø8xM6x10mm	2	
12	X91009	Label, Lubricate	1	
13	X10217	Grease Tube	1	
14	X10900	Grease Fitting	1	
15	X91012	Label, Arrow	1	
16	X91010	Label, Stop To Chg Gears	1	
17	X10134	Safety Guard Spring Lock	1	
17A		Washer M3 Split Lock	2	
17B	X10134B	Screw M3x8mm Round Hd	2	
18	X10043	Touch Shaft, Brass	1	->7110208
18	X10043N	Touch Shaft, Nylon	1	7110208 ->
18A	X10044	Spring	1	
18B		Tube	1	
18C	X30186	Nut M5 Hex	2	
18D	X20516	Cover, Touch Shaft (Removable Bowl Guard)	1	
18E		Screw M5x8mm Truss Hd	2	
19	X10045-48	Gear Shift Lever Assembly	1	
20	X10045	Gear Shift Lever Assy With Knob	1	
20A	X10045-1	Knob, Gear Shift	1	
21		Shaft	1	
22		Cover	1	
22A	X25166	Screw M5x20mm Flat Hd	4	
22B	X10199	Gasket	1	
23		Shaft Bias	1	
23A		Roller	2	
23B		Spring	2	
23C		Roll Ø3x28mm Pin	1	
24	X10057	Microswitch, Interlock	1	
24A		Screw M3x12mm Switch Mounting	2	
24B		Nut M3 Hex	4	
25	X10058	Bracket, Microswitch	1	
25A		Nut M6 Hex	4	
25B		Screw M6x40mm Hex Hd - Bracket Mounting	2	
26	X10055	Plate, Warning	1	
26A		Screw M4x6mm Pan Hd	4	
27	X10131	Screw #10-24x3/8" Flat Hd	1	Int. Elec. Sys. 7212460 ->



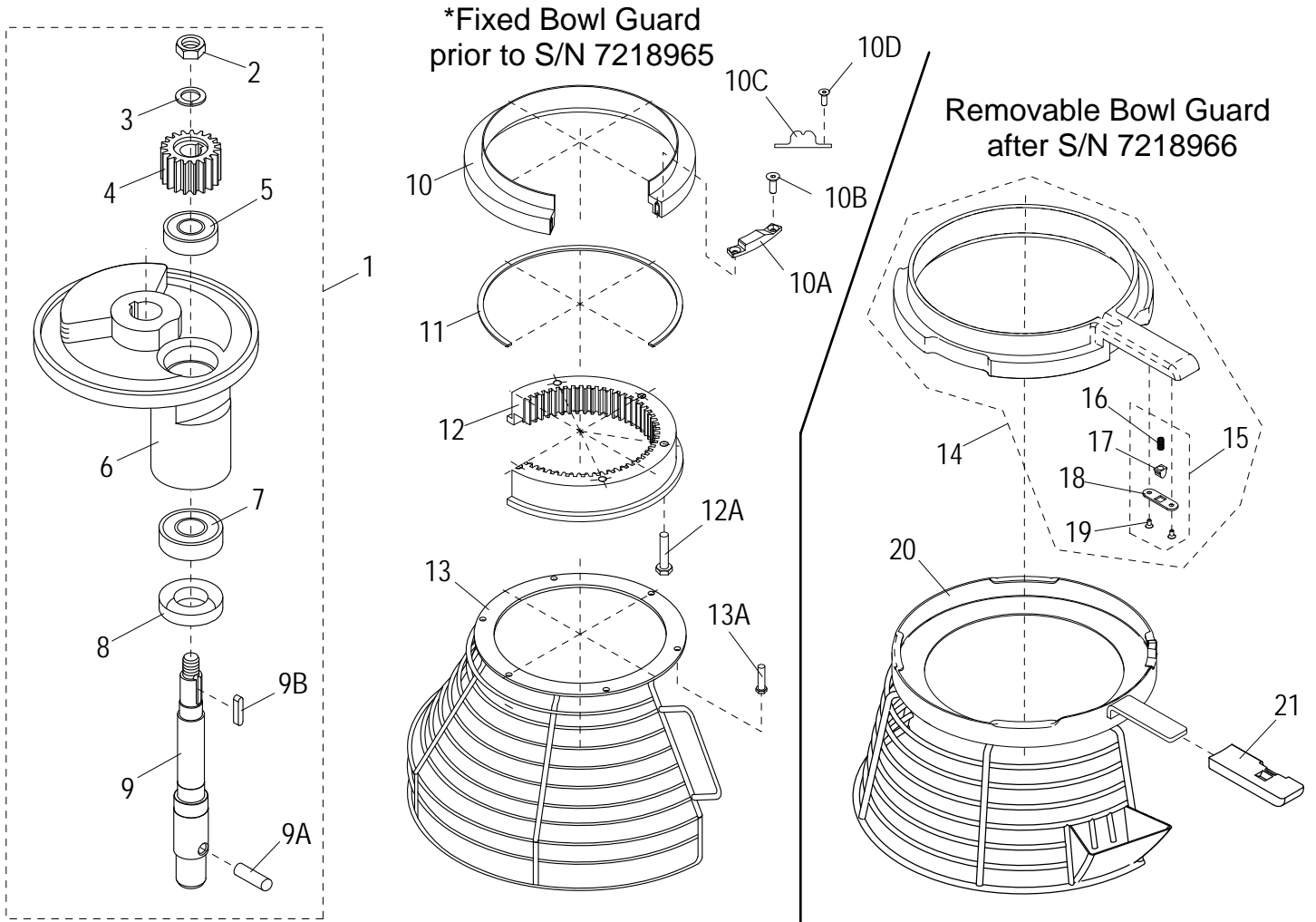
SP20 Hub Assembly Components





SP20 Hub Assembly Components

Item	Part Number	Description	Qty	Serial Number
1	X10007	Attachment Hole Plug	1	
2	X10006	Attachment Hub	1	->7222688
2	X10006-DG	Attachment Hub	1	7222689 ->
2A		Gasket	1	
3	X10089	Oil 45x35x8mm Seal	1	
4	X10075	Bearing	1	
5	X10004	Thrust Washer	2	
6	X10003	Level Drive Gear (35T)	1	
7	X10005	Thumb Screw 1/2-13x3/4"	1	
8	X80B52	Screw M6X25mm Socket Hd	4	



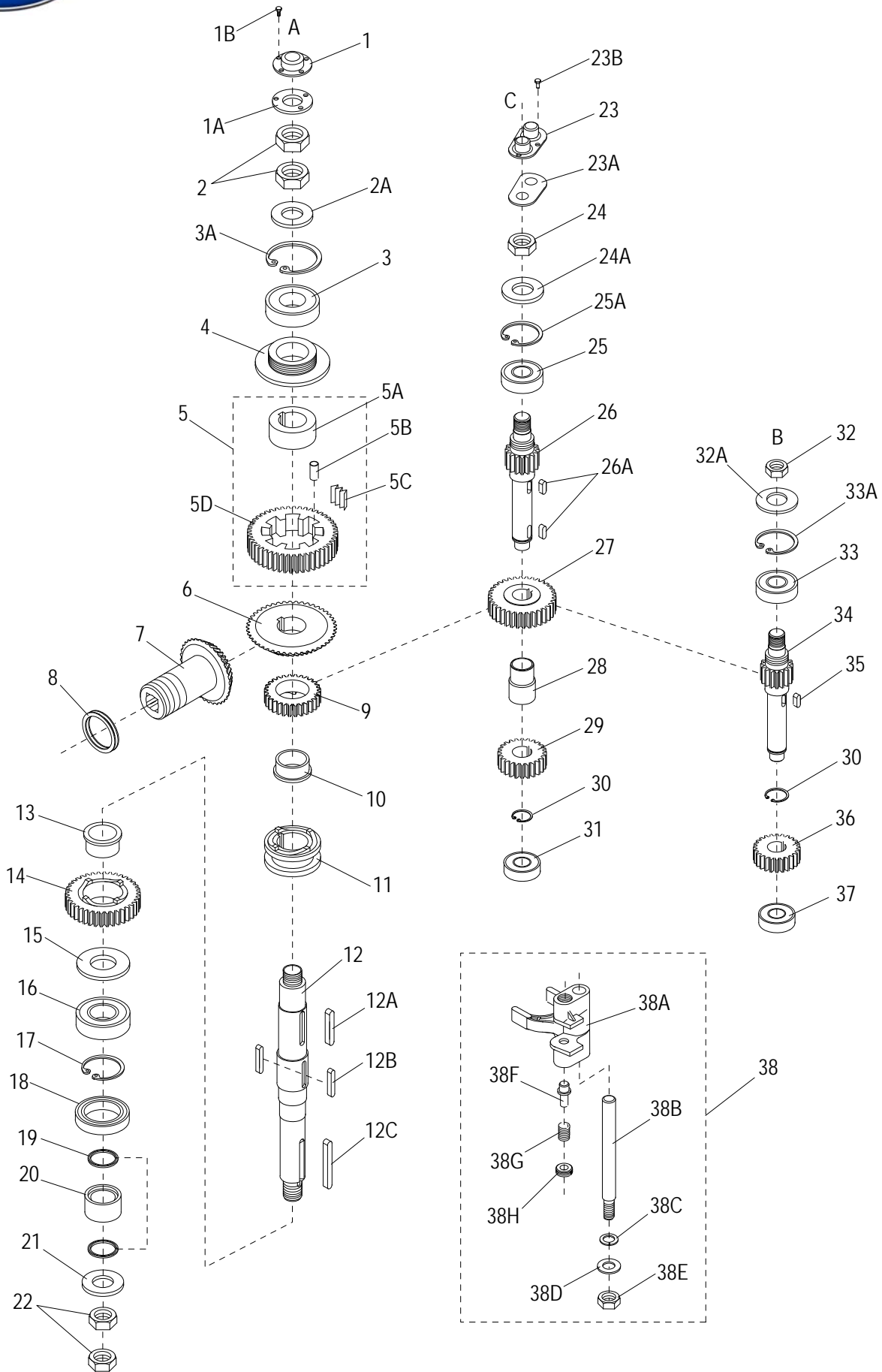


SP20 Planetary Components

Item	Part Number	Description	Qty	Serial Number
1	X10008-82	Complete Planetary Assembly	1	
2	X10008	Nut M12 Hex	1	
3	X80B05	Washer M12 Split Lock	1	
4	X10009	Pinion, Beater (19T)	1	
5	X10010	Ball Bearing	1	
6	X10011-DG	Planetary Holder	1	
7	X10012	Ball Bearing	1	
8	X10013	Oil Seal	1	
9	X10015	Planetary Shaft	1	
9A	X10080	Dowel Pin	1	
9B	X10014	Shaft Key 5x5x17mm	1	
10	X10076	Slide Sheath	Used with *	1 ->7110208
10	X10076P	Slide Sheath, Molded	0	7110208 ->
10A	X10041	Touch Mass	*	1 ->7218965
10B	X10042	Screw M4x10mm Flat Hd - SS	*	2 ->7218965
10C	X10135	Safety Guard Spring Lock Fixture	*	1 ->7218965
10D		Screw M4x10mm Round Hd	*	2 ->7218965
11	X10077	Teflon Mat	1	->7218965
12	X10078	Planetary Internal Gear (63T)	1	->7218965
12A	X10082	Screw 1/4-20 X 1.25" Socket Hd	6	->7218965
13	X20079/81	Front Interlock Guard Assembly	1	->7218965
13A	X10083	Screw M5x8mm Hex Hd - Locking Patch	6	->7218965
14	X200S2	Plastic Slide Sheath, Removable Safety Guard	1	7218966 ->
15	X200S3	Spring Plunger Hardware Kit	1	7218966 ->
16		Spring	1	7218966 ->
17		Plunger	1	7218966 ->
18		Plate, Plunger Retention	1	7218966 ->
19		Screw M3x8mm Flat Hd	2	7218966 ->
20	X200S1	Bowl Guard Assembly, Stainless Steel	1	7218966 ->
21	X20504	Handle, Plastic - Removable Safety Guard	1	7218966 ->



SP20 Gearbox Components





SP20 Gearbox Components

Item	Part Number	Description	Qty	Serial Number
1	X10072	Bearing Retainer Cap	1	
1A	X10187	Gasket, Bearing Retainer	1	
1B	X10133	Screw M8x10mm Pan Hd	4	
2	X10132	Nut 1/2-20 Jam	2	
2A		Washer 1/2" Flat	1	
3	X10010	Ball Bearing	1	
3A		Retaining Ring	1	
4	X10090	Lead-In Oil Pad	1	
5	X10091-94	Slow Speed Gear Assembly	1	
5A	X10091	Bushing	1	
5B		Dowel Ø8x16mm Pin	1	
5C	X10093	Slice Spring	1	
5D		Gear, Slow Speed (46T)	1	
6	X10095	Gear, Bevel (46T)	1	
7	X10003	Level Drive Gear (35T)	1	
8	X10004	Thrust Washer	1	
9	X10096	Gear, Clutch (29T)	1	
10	X10097	Bushing, Clutch	1	
11	X10110	Sleeve, Clutch	1	
12	X10107	Drive Shaft	1	
12A	X10098	Shaft Key 6x6x27mm	1	
12B	X10109	Shaft Key 5x5x27mm	1	
12C	X10108	Shaft Key 6x6x45mm	1	
13	X10099	Bushing, Clutch	1	
14	X10100	Gear, Clutch (38T)	1	
15	X10101	Washer, Stepped	1	
16	X10102	Ball Bearing	1	
17	X20214	Retaining Ring RTW-52	1	
18	X10105	Oil Seal	1	
19	X10103	O-Ring 28x22x3mm	2	
20	X10104	Guard, Oil Bushing	1	
21		Washer M20 Flat	1	
22	X10106	Nut M20 Jam	2	
23	X10071	Twin Bearing Retainer	1	
23A	X10188	Gasket, Twin Bearing Retainer	1	
23B	X10131	Screw #10-24x3/8" Flat Hd	4	
24	X10130	Nut 3/8"x24 Hex	1	
24A		Washer 3/8" Flat	1	
25	X10068	Ball #35 Bearing	1	
25A		Retaining Ring	1	
26	X10129	Transmission Shaft (15T)	1	
26A	X10128	Shaft Key 5x5x10mm	2	
27	X10126	Gear (32T)	1	
28	X10122	Bushing, Spacer	1	
29	X10121	Gear (24T)	1	
30	X10120	Retaining Ring STW-19	2	
31	X10117	Drive Shaft Upper Ball Bearing	1	
32	X10125	Nut M10 Hex	1	
32A		Washer M10 Flat	1	
33	X10068	Ball #35 Bearing	1	
33A		Retaining Ring #35	1	
34	X10124	Shaft, Master (15T)	1	
35	X10123	Shaft Key 5x5x15mm	1	



SP20 Gearbox Components

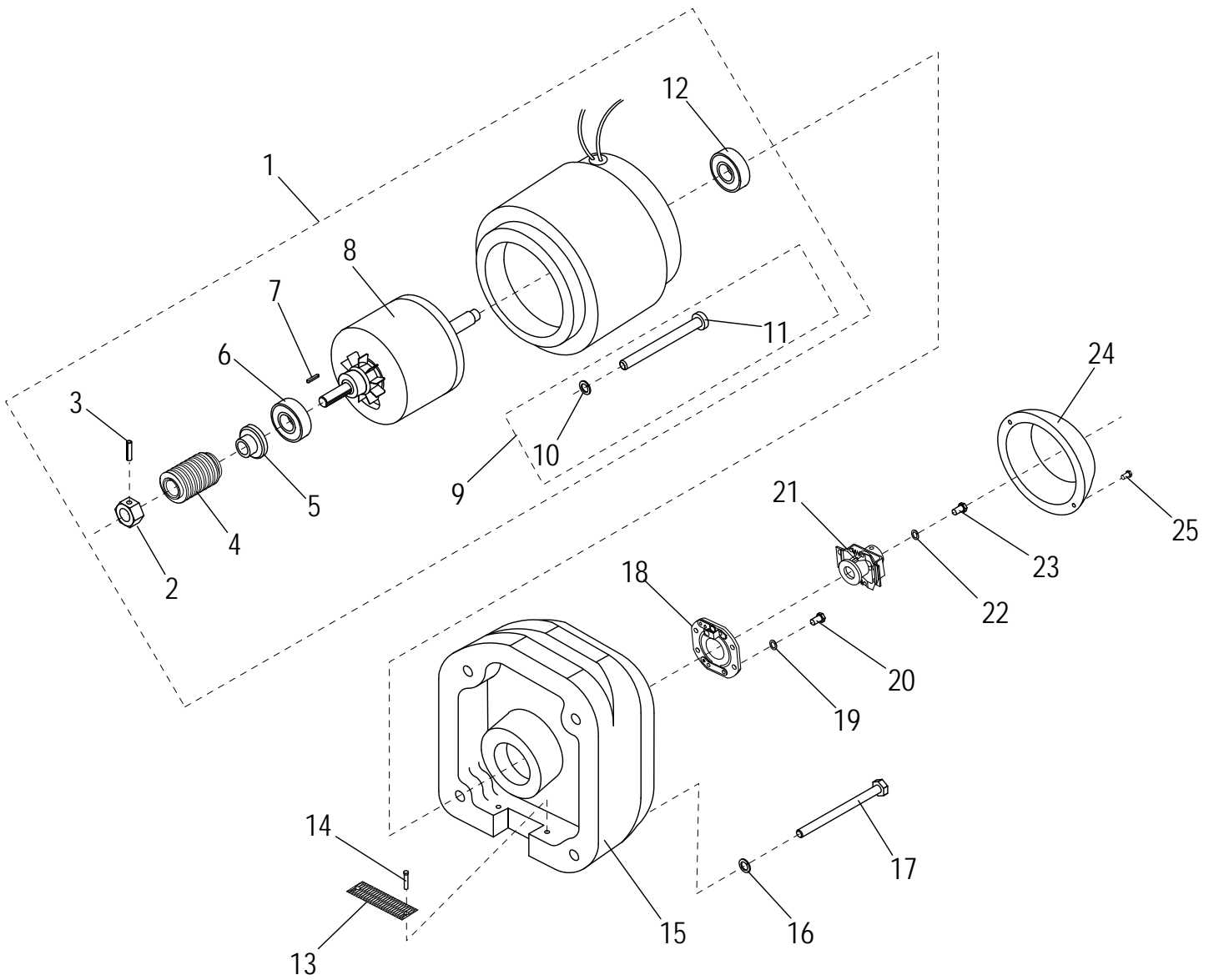
Item	Part Number	Description	Qty	Serial Number
36	X10118	Worm Wheel (29T)	1	
36	X10118-24T	Worm Wheel (24T)	1	
37	X10117	Drive Shaft Upper Ball Bearing	1	
38	X10111-116	Yoke Shifter Assembly	1	
38A		Yoke Shifter	1	
38B		Guide, Rod Shifter	1	
38C		Washer 3/8" Split Lock	1	
38D		Washer 3/8" Flat	1	
38E		Nut 3/8-16 Stop	1	
38F		Plunger, Yoke Shifter	1	
38G		Spring, Retainer	1	
38H		Spring, Yoke Shifter	1	



INTENTIONALLY LEFT BLANK PAGE



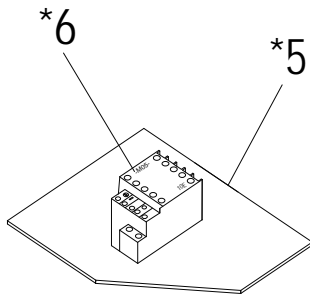
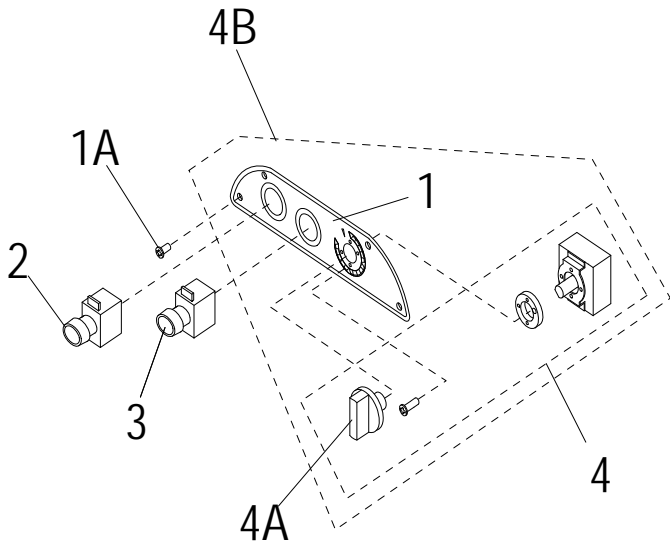
SP20 Motor Components





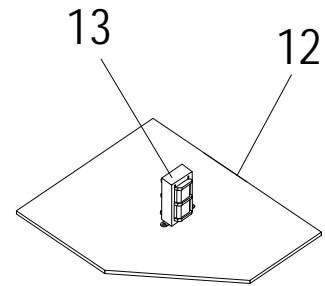
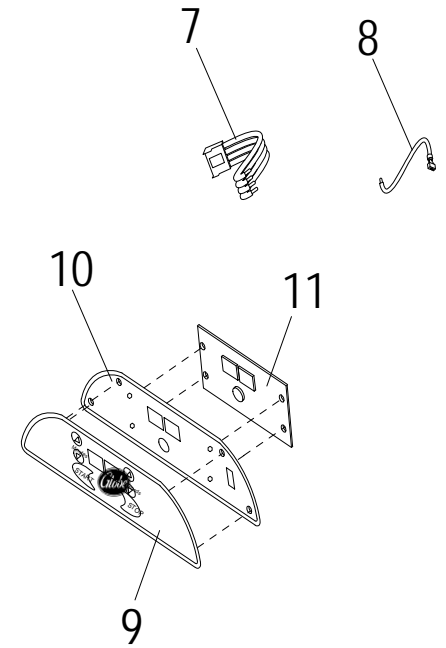
SP20 Motor Components

Item	Part Number	Description	Qty	Serial Number
1	X20060-67	Motor Assembly, 1/2 HP	1	
2	X20066	Nut M8 Hex - Pinned	1	
3	X20067	Roll Pin M3x16mm	1	
4	X20065	Worm (5T)	1	
5	X20060	Spring Shock Absorber	1	
6	X08114	Ball Bearing	1	
7	X20202	Shaft Key 3x3x17mm	1	
8		Motor Shaft	1	
8		Motor Coil	1	
9	X20206-207	Screw And Lock Washer Set	1	
10		Washer M5 Split Lock	4	
11		Screw M5x55mm Hex Hd	4	
12	X10010	Ball Bearing	1	
13	X20031	Screen	1	
14		Rivet	2	
15	X10054	Transmission Cover, Rear	1	
16	1226	Washer M6 Split Lock	4	
17	X20161	Screw M6x35mm Hex Hd	4	
18	X10051	Switch, Platinum	1	
19	X20207	Washer M5 Split Lock	2	
20		Screw M5x10mm Hex Hd	2	
21	X10052	Clutch	1	
22	X20207	Washer M5 Split Lock	1	
23		Screw M5x10mm Hex Hd	1	
24	X10053	Cover	1	
25		Screw M5x10mm Hex Hd	2	
26	X20063	Fan	1	(Not Shown)



*ONLY USED ON MODELS WITH
INTERNAL ELECTRICAL SYSTEM.

MANUAL TIMER



DIGITAL TIMER

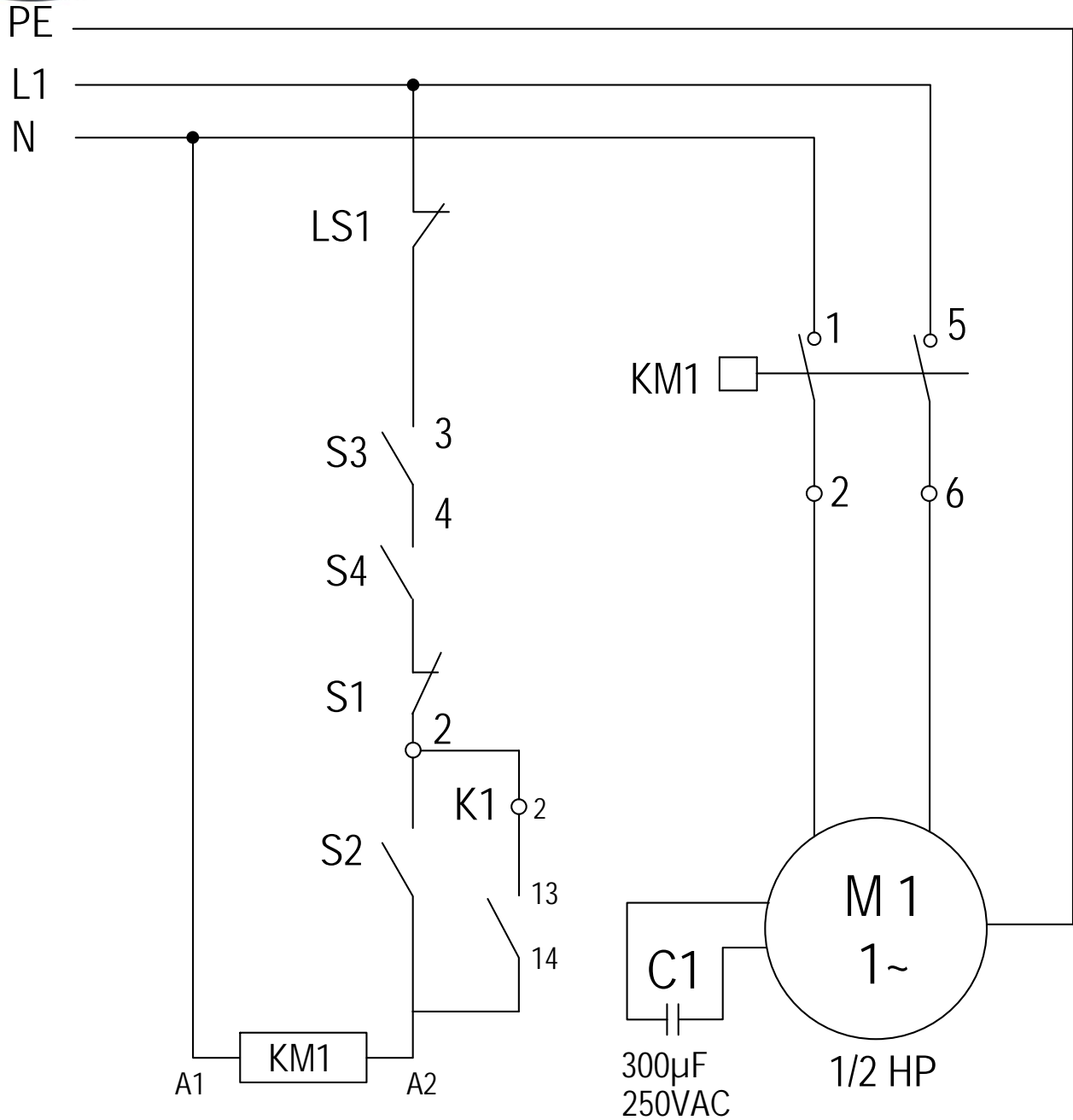


SP20 Manual and Digital Timer

Item	Part Number	Description	Qty	Serial Number
1	X10002	Control Panel	1	
1A	X10179	Screw M4x10mm Truss Hd - Control Panel Mounting	4	
2	X10050	Emergency Stop Button	1	
3	X10049	Start Button	1	
3A	X10049-1	Boot, Start/Stop Switch Button (Not Shown)	2	
4	X10137	Timer Assembly With Knob	1	
4A	X10137-1	Timer Knob	1	
4B	X10296	Timer Assy W/Control Panel	1	
5		Contactormounting Plate Int. Elect. Sys.	1	
6	X10028ABB	Contactormounting Plate Int. Elect. Sys.	1	
7	X00675	4 Wire Harness With Connector	1	
8	X00676	Single Wire With Quick Connect	2	
9	X00565	Switch, Membrane	1	
10	X10336	Aluminum Panel	1	
11	X00568	Control Board	1	
12		Mounting Plate	1	
13	X00569	Control Transformer Assembly	1	
14	X00570	Control Transformer Fuse (Not Shown)	1	



SP20 Electrical Diagram - 120V Single Phase - Prior



Item	Description	Qty
C1	Capacitor	1
S1	Emergency Stop Button	1
S2	Start Button	1
S3	Microswitch (Interlock Guard)	1
S4	Microswitch (Bowl Lift)	1
KM1	Contactor Coil, 120V, 60 HZ	1
M1	Motor, 1/2 HP Single Phase 120V	1
LS1	Circuit Breaker	1
K1	Timer	1



SP20 Electrical Diagram - 120V Single Phase - Prior

