

Parts Catalog



SP8

Mixer

Model: SP8

05/25/17 Rev K

IMPORTANT!

TO EXPEDITE SHIPMENT OF PARTS, ALWAYS SPECIFY MODEL, REV,
PART NUMBER, AND SERIAL NUMBER OF UNIT.

GLOBE FOOD EQUIPMENT COMPANY

2215 East River Road
Dayton, Ohio 45439

Parts Department

Toll Free 1-800-745-6238 · Fax (937) 290-0585

E-Mail: info@globefoodequip.com

Website: www.globefoodequip.com

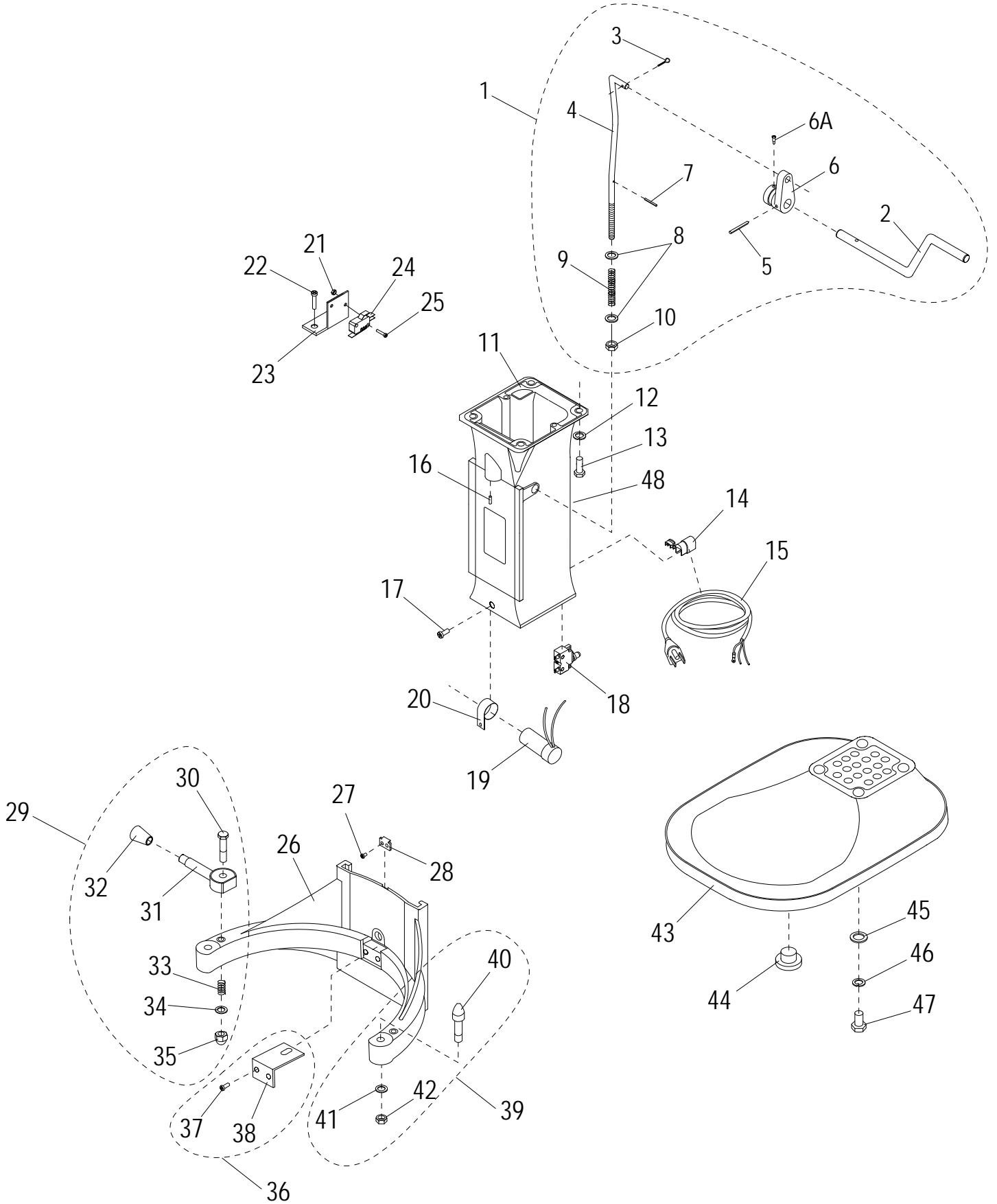
Not for resale

Table of Contents

| Description | Page |
|--------------------------|------|
| SP8 Base Components | 4 |
| SP8 Head Components | 6 |
| SP8 Gearbox Components | 10 |
| SP8 Planetary Components | 12 |
| SP8 Electrical Diagram | 14 |



SP8 Base Components





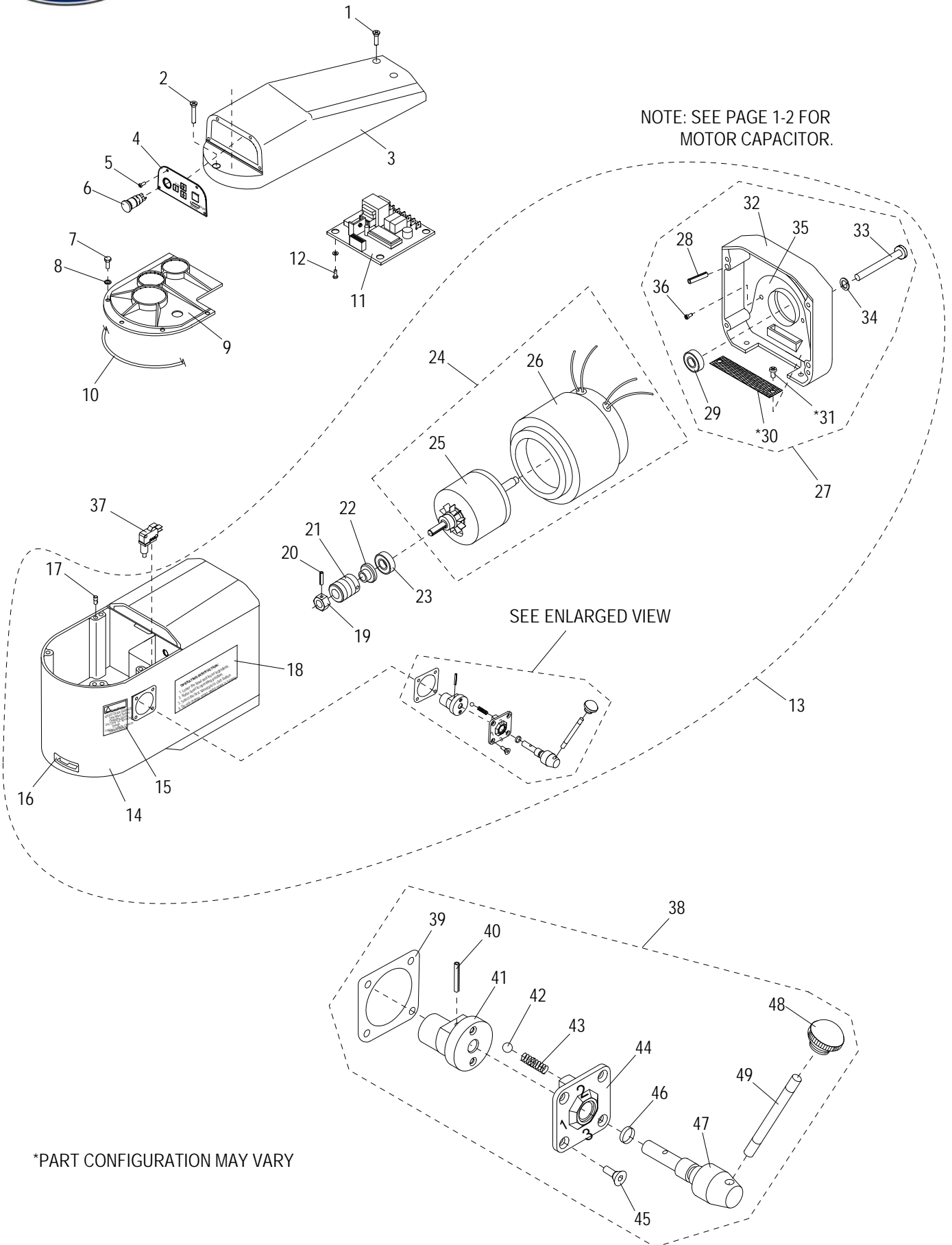
SP8 Base Components

| Item | Part Number | Description | Qty | Serial Number |
|------|-------------|---|-----|---------------|
| 1 | X08065-74 | Bowl Lift Handle Assembly | 1 | |
| 2 | | Handle, Bowl Lift | 1 | |
| 3 | X08066 | Cotter Pin | 1 | |
| 4 | | Rod, Bowl Lift | 1 | |
| 5 | | Roll Pin Ø5x24mm | 1 | |
| 6A | X08069A | Shoulder Screw | 1 | |
| 6 | | Connector, Bowl Lift | 1 | |
| 7 | X08070 | Roll Pin Ø3x18mm | 1 | |
| 8 | X08071 | Washer M8x16x1.5mm Flat | 2 | |
| 9 | X08072 | Spring M5 | 1 | |
| 10 | X08074 | Nut M8 Hex | 1 | |
| 11 | X08075 | Mixer Column | 1 | |
| 12 | X08076 | Washer M8 Flat | 4 | |
| 13 | X08077 | Screw M8x25mm Hex Hd | 4 | |
| 14 | X08078 | Strain Relief, 90 Degree | 1 | |
| 15 | X08079 | Cord And Plug | 1 | |
| 16 | X08080 | Set Screw M5x20mm Socket Hd - Cup Point | 1 | |
| 17 | X08081 | Screw M5x21mm Pan Hd | 1 | |
| 18 | X08082 | Circuit Breaker | 1 | |
| 19 | X08083 | Capacitor, Motor | 1 | |
| 20 | X08084 | Bracket, Capacitor Mounting | 1 | |
| 21 | X08155 | Nut M3 Hex | 4 | |
| 22 | X08156 | Screw M3x24mm Round Hd | 1 | |
| 23 | X08157 | Bracket, Microswitch Mtg (W/Hdwr) | 1 | |
| 24 | X08158 | Microswitch, Bowl Lift | 1 | |
| 25 | X08159 | Screw M3 Round Hd | 2 | |
| 26 | X08086 | Bowl Cradle | 1 | |
| 27 | X08087 | Screw M4x4mm Pan Hd | 2 | |
| 28 | X08088 | Clip | 1 | |
| 29 | X08089-93 | Bowl Clamp Assembly (Set/2) | 2 | |
| 30 | X08085 | Screw M5x45mm Hex Hd & Nuts | 2 | |
| 31 | | Bowl Clamp | 2 | |
| 32 | X08090 | Knob, Plastic | 2 | |
| 33 | | Spring | 2 | |
| 34 | | Washer M5 Flat | 2 | |
| 35 | | Nut M5 Hex | 2 | |
| 36 | X08094-95 | Bowl Lift Bracket Assembly | 1 | |
| 37 | X08094 | Screw M5x10mm Pan Hd | 2 | |
| 38 | X08095 | Bracket, Bowl Lift | 1 | |
| 39 | X08096-98 | Bowl Lock Pin Assembly (Set 2) | 1 | |
| 40 | | Pin, Bowl Lock | 2 | |
| 41 | | Washer M8 Split Lock | 2 | |
| 42 | | Nut M8 Stop | 2 | |
| 43 | X08099 | Mixer Base | 1 | |
| 44 | X08100 | Mixer Feet (Set/4) | 1 | |
| 45 | X08101 | Washer M8x16mm Flat | 4 | |
| 46 | X08102 | Washer M8 Split Lock | 4 | |
| 47 | X08103 | Screw M8 x 16mm Hex Hd | 4 | |
| 48 | X91014 | Label, Hazardous Voltage | 1 | |



SP8 Head Components

NOTE: SEE PAGE 1-2 FOR
MOTOR CAPACITOR.



*PART CONFIGURATION MAY VARY



SP8 Head Components

| Item | Part Number | Description | Qty | Serial Number |
|------|-------------|--|-----|-----------------------------|
| 1 | X08001 | Screw M5x20mm Flat Head | 2 | |
| 2 | X08002 | Screw M4x30mm Flat Head | 1 | |
| 3 | X08003 | Cover, Transmission | 1 | |
| 4 | X08004 | Panel, Digital Control | 1 | |
| 5 | X08005 | Screw M3x6mm Round Head | 4 | |
| 6 | X08006 | Emergency Stop Button | 1 | |
| 7 | X08007 | Screw M6x16mm Hex Head | 4 | |
| 8 | X08008 | Washer M6 Split Lock | 4 | |
| 9 | X08148 | Cover, Transmission Case | 1 | 7010674 -> |
| 9 | | Cover, Transmission Case | 1 | ->7010675 |
| 10 | X08148-1 | Gasket | 1 | |
| 11 | X08160 | Circuit Board, Digital Control (Incls. X08160-1) | 1 | |
| 11 | X08160-1 | Circuit Board, Digital Switch | 1 | |
| 12 | X08161-162 | Screw M3x10mm Round Head & Washer - SS | 4 | |
| 13 | X01760 | Transmission Case & Motor | 1 | |
| 14 | X01760 | Transmission Case & Motor | 1 | |
| 15 | X91010 | Label, Stop To Chg Gears | 1 | |
| 16 | X91012 | Label, Arrow | 1 | |
| 17 | X08009 | Pin, Locator | 2 | |
| 18 | X91007 | Label, Warning | 1 | |
| 19 | X08051 | Nut M10 Hex | 4 | |
| 20 | X08052 | Roll Pin Ø3x10mm | 1 | |
| 21 | X08053 | Worm 60Hz | 1 | |
| 21 | X08053-1 | Worm 50Hz | 1 | |
| 22 | X08054 | Oil Seal | 1 | |
| 23 | X08055 | Ball Bearing | 1 | |
| 24 | X01760 | Transmission Case & Motor | 1 | 7010674 -> |
| 24 | X08056-57 | Motor Assembly | 1 | ->7010675 |
| 25 | | Motor Shaft And Core | 1 | |
| 26 | | Motor Coil | 1 | |
| 27 | X08058-64 | Rear Cover Assembly | 1 | 7010674 -> |
| 27 | | Rear Cover Assembly | 1 | ->7010675 |
| 28 | | Roll Pin Ø6x12mm | 1 | |
| 29 | X08059 | Ball Bearing | 1 | |
| 30 | | Screen, Motor Cooling | 1 | Part Configuration May Vary |
| 31 | | Screw M4x6mm Pan Hd | 2 | Part Configuration May Vary |
| 32 | | Cover, Rear Motor | 1 | |
| 33 | X08063 | Screw M5x50mm Hex Head & Washer | 4 | |
| 34 | | Washer M5 Split Lock | 4 | |
| 35 | | Shroud | 1 | |
| 36 | | Roll Pin Ø3x18mm | 3 | |
| 37 | X08152 | Microswitch | 1 | |
| 38 | X08040-50 | Gear Arm Assembly | 1 | |
| 39 | X08040 | Gasket, Gear Arm | 1 | |
| 40 | | Roll Pin Ø3x18mm | 1 | |
| 41 | | Shaft Bias | 1 | |
| 42 | | Roller | 2 | |
| 43 | | Spring | 2 | |
| 44 | | Plate, Gear Arm | 1 | |
| 45 | X08050 | Screw, Flat Head | 4 | |
| 46 | | O-Ring | 1 | |
| 47 | | Shaft, Gear Arm | 1 | |
| 48 | X08046 | Knob, Black Plastic | 1 | |



SP8 Head Components

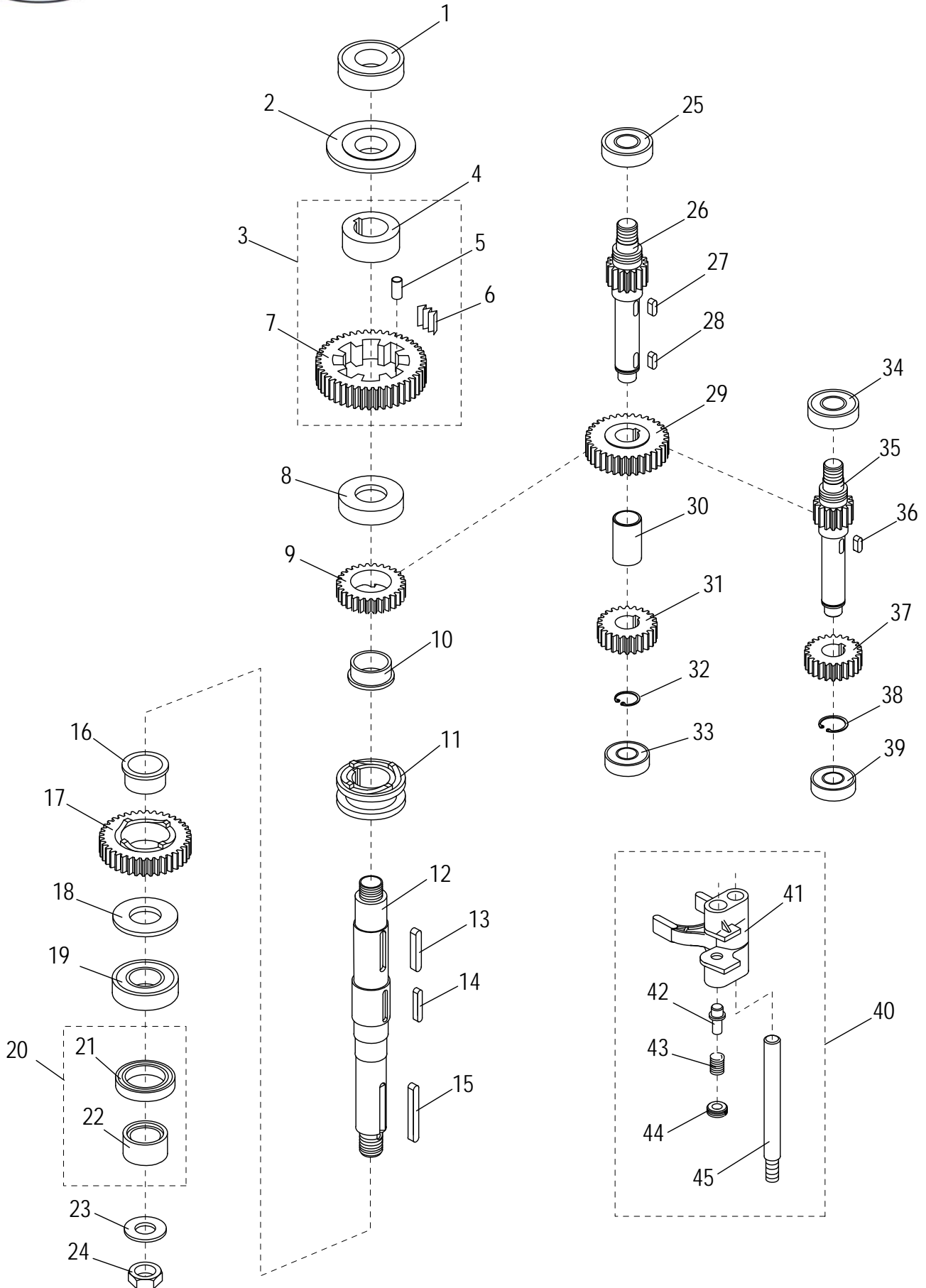
| Item | Part Number | Description | Qty | Serial Number |
|------|-------------|-------------|-----|---------------|
| 49 | | Gear Arm | 1 | |



INTENTIONALLY LEFT BLANK PAGE



SP8 Gearbox Components



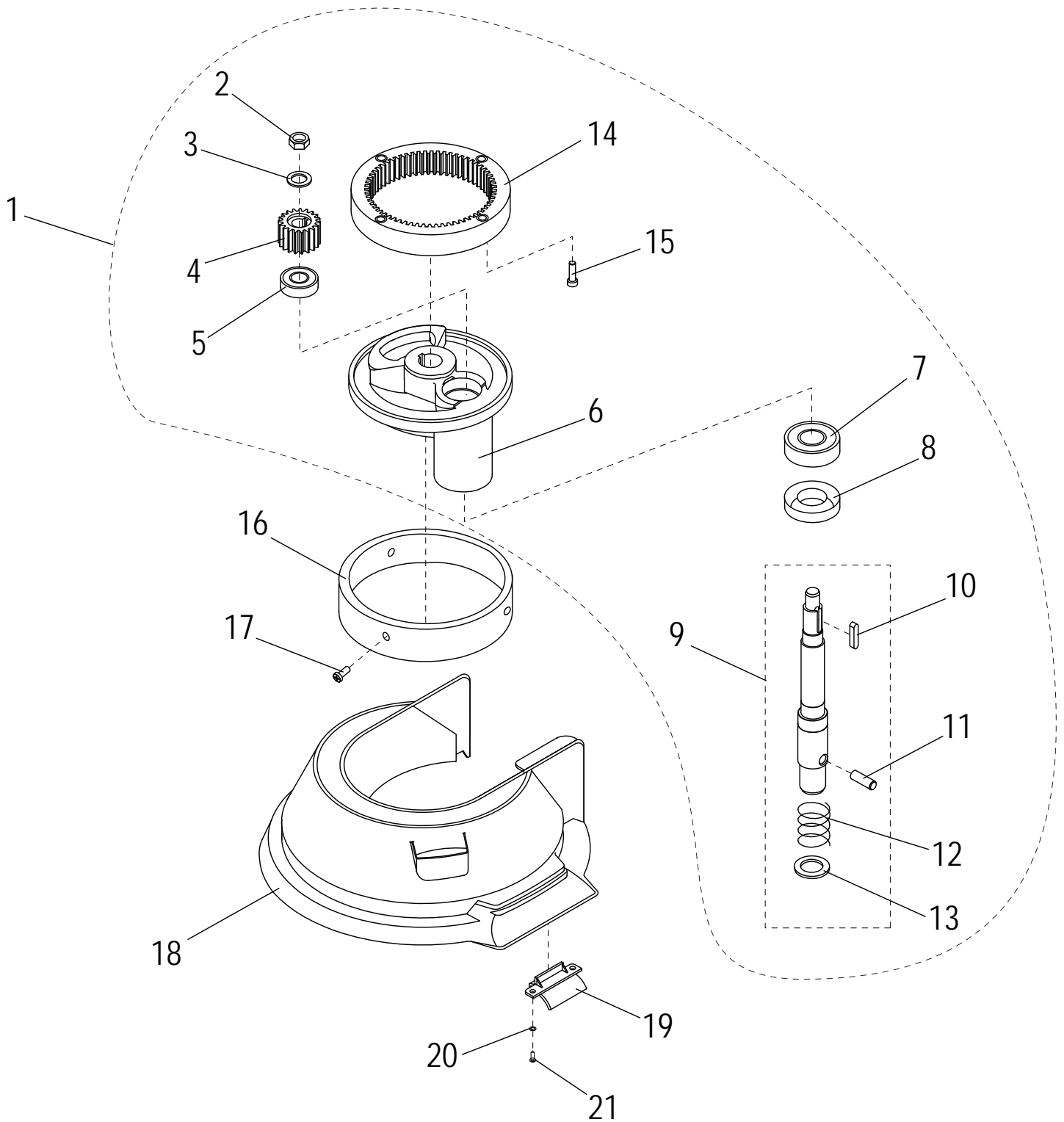


SP8 Gearbox Components

| Item | Part Number | Description | Qty | Serial Number |
|------|-------------|------------------------------|-----|-------------------------|
| 1 | X08104 | Ball Bearing | 1 | |
| 2 | X08105 | Lead-In Oil Pad | 1 | |
| 3 | X08106-107 | Slow Speed Gear Assembly | 1 | |
| 4 | X08106 | Bushing | 1 | |
| 5 | | Roller Pin | 1 | |
| 6 | | Spring, Slice | 1 | |
| 7 | X08107 | Gear, First Speed (42T) | 1 | |
| 8 | X08108 | Bushing | 1 | |
| 9 | X08109 | Gear, Clutch (25T) | 1 | |
| 10 | X08110 | Bushing, Third Speed | 1 | |
| 11 | X08123 | Clutch Sleeve | 1 | |
| 12 | X08124 | Drive Shaft | 1 | |
| 13 | X08125 | Shaft Key 5x5x18mm | 1 | |
| 14 | X08126 | Shaft Key 4x4x28mm | 1 | |
| 15 | X08127 | Shaft Key 5x5x26mm | 1 | |
| 16 | X08111 | Bushing, Second Speed | 1 | |
| 17 | X08112 | Gear, Second Speed (34T) | 1 | |
| 18 | X08113 | Bearing Pad | 1 | |
| 19 | X08114 | Ball Bearing | 1 | |
| 20 | X08116-1 | Bushing & Seal Set | 1 | Replaces O-Ring Config. |
| 21 | | Oil Seal | 1 | |
| 22 | | Oil Bushing | 1 | |
| 23 | X08119 | Washer M8x22x1mm Flat - SS | 1 | |
| 24 | X08120 | Nut M8 Hex - Nylon Insert | 1 | |
| 25 | X08128 | Ball Bearing | 1 | |
| 26 | X08129 | Transmission Shaft (19T) | 1 | |
| 27 | X08130 | Shaft Key 5x5x12mm | 1 | |
| 28 | X08131 | Shaft Key 5x5x14mm | 1 | |
| 29 | X08132 | Gear, Third Speed (36T) | 1 | |
| 30 | X08133 | Bushing, Bronze | 1 | |
| 31 | X08134 | Gear, Second Speed (27T) | 1 | |
| 32 | X08135 | Retaining Ring S-15 | 1 | |
| 33 | X08128 | Ball Bearing | 1 | |
| 34 | X08128 | Ball Bearing | 1 | |
| 35 | X08143 | Master Shaft (18T) | 1 | |
| 36 | X08144 | Shaft Key 5x5x14mm | 1 | |
| 37 | X08145 | Worm Gear, Bronze 60Hz (20T) | 1 | |
| 37 | X08145-1 | Worm Gear, Bronze 50Hz (22T) | 1 | |
| 38 | X08135 | Retaining Ring S-15 | 1 | |
| 39 | X08128 | Ball Bearing | 1 | |
| 40 | X08137-141 | Shifter Yoke Assembly | 1 | |
| 41 | | Shifter Yoke | 1 | |
| 42 | | Shifter Yoke Plunger | 2 | |
| 43 | | Shifter Yoke Spring | 2 | |
| 44 | | Nut M3 | 2 | |
| 45 | | Shifter Guide Rod | 1 | |



SP8 Planetary Components



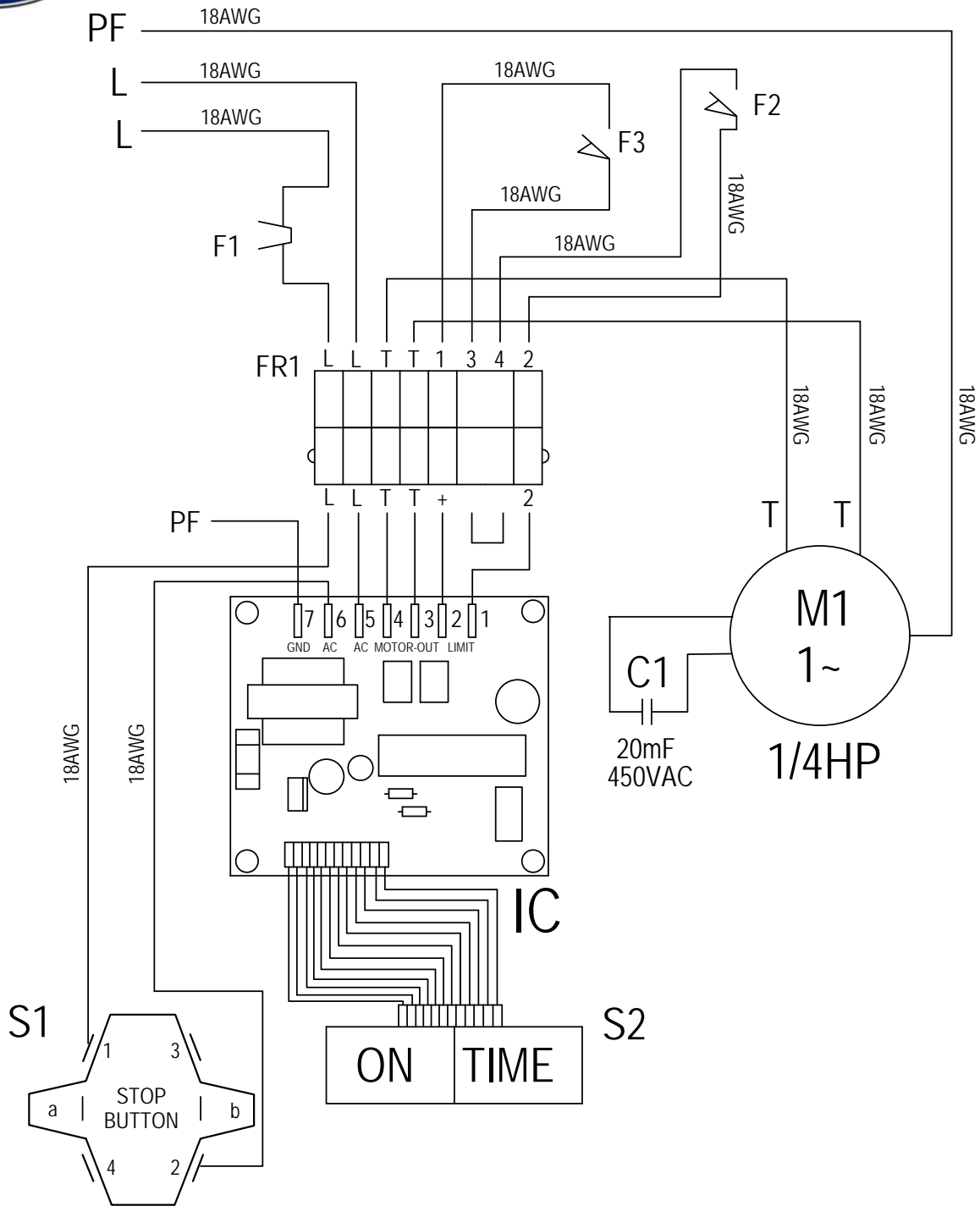


SP8 Planetary Components

| Item | Part Number | Description | Qty | Serial Number |
|------|-------------|---|-----|---------------|
| 1 | X01873 | Planetary Assembly | 1 | |
| 2 | X08015 | Nut M6 Hex - Nylon Insert | 1 | |
| 3 | X08016 | Washer M6x16x1mm Flat | 1 | |
| 4 | X08017 | Pinion Beater (17T) | 1 | |
| 5 | X08018 | Ball Bearing | 1 | |
| 6 | X08020 | Planetary Holder | 1 | |
| 7 | X08022 | Ball Bearing | 1 | |
| 8 | X08023 | Oil Seal 32X17X7mm | 1 | |
| 9 | X08024 | Planetary Shaft Assembly | 1 | |
| 10 | X08036 | Shaft Key 4x8x8mm | 1 | |
| 11 | X08037 | Dowel Pin | 1 | |
| 12 | X08038 | Spring | 1 | |
| 13 | X08039 | Washer 13.1x1mm Flat | 1 | |
| 14 | X08019 | Planetary Gear (56T) | 1 | |
| 15 | X08034 | Cap Screw M6x13mm Socket Hd | 4 | |
| 16 | X08021 | Cover, Planetary Holder | 1 | |
| 17 | X08035 | Screw M2.6x4mm Binder Hd | 3 | |
| 18 | X08154-1 | Splash Cover, Wire | 1 | |
| 18 | X08154-2 | Splash Cover, Plastic | 1 | |
| 19 | X08149 | Clip | 2 | |
| 20 | X08150 | Washer M4 Flat | 4 | |
| 21 | X08151 | Screw M4x8mm Self Tapping Truss Hd - Clip Mtg | 4 | |



SP8 Electrical Diagram



| Item | Description | Qty |
|------|---------------------------------------|-----|
| C1 | Capacitor | 1 |
| F1 | Overload Protection | 1 |
| F2 | Microswitch (Safety Guard) | 1 |
| F3 | Microswitch (Bowl Lift) | 1 |
| FR1 | Terminal Block | 1 |
| IC | Ic Board | 1 |
| S1 | Emergency Stop Button | 1 |
| S2 | Start Button, Timer LC Control | 1 |
| M1 | Motor, 1/4HP, 1PH, 120V/220V, 50/60HZ | 1 |