

Parts Catalog



SPC10

Mixer

Model: SPC10

03/22/2017

IMPORTANT!

TO EXPEDITE SHIPMENT OF PARTS, ALWAYS SPECIFY MODEL, REV,
PART NUMBER, AND SERIAL NUMBER OF UNIT.

GLOBE FOOD EQUIPMENT COMPANY

2215 East River Road
Dayton, Ohio 45439

Parts Department

Toll Free 1-800-745-6238 · Fax (937) 290-0585

E-Mail: info@globefoodequip.com

Website: www.globefoodequip.com

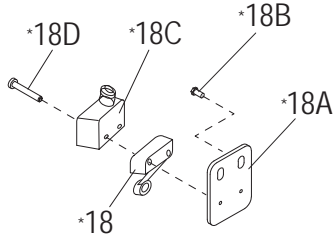
Not for resale

Table of Contents

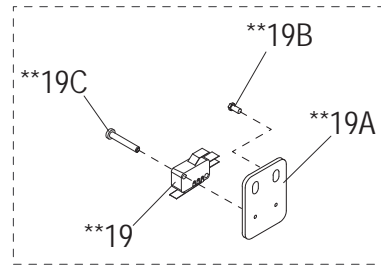
Description	Page
SPC10 Base Components	4
SPC10 Head Components	8
SPC10 Hub Assembly Components	12
SPC10 Planetary Components	14
SPC10 Gearbox Components	16
SPC10 Motor Components	20
SPC10 Motor Brake Components	22
SPC10 Manual Lift Controls	24
SPC10 Wiring Diagram - 120V Single Phase	26
SPC10 Wiring Diagram - 120V Single Phase	27



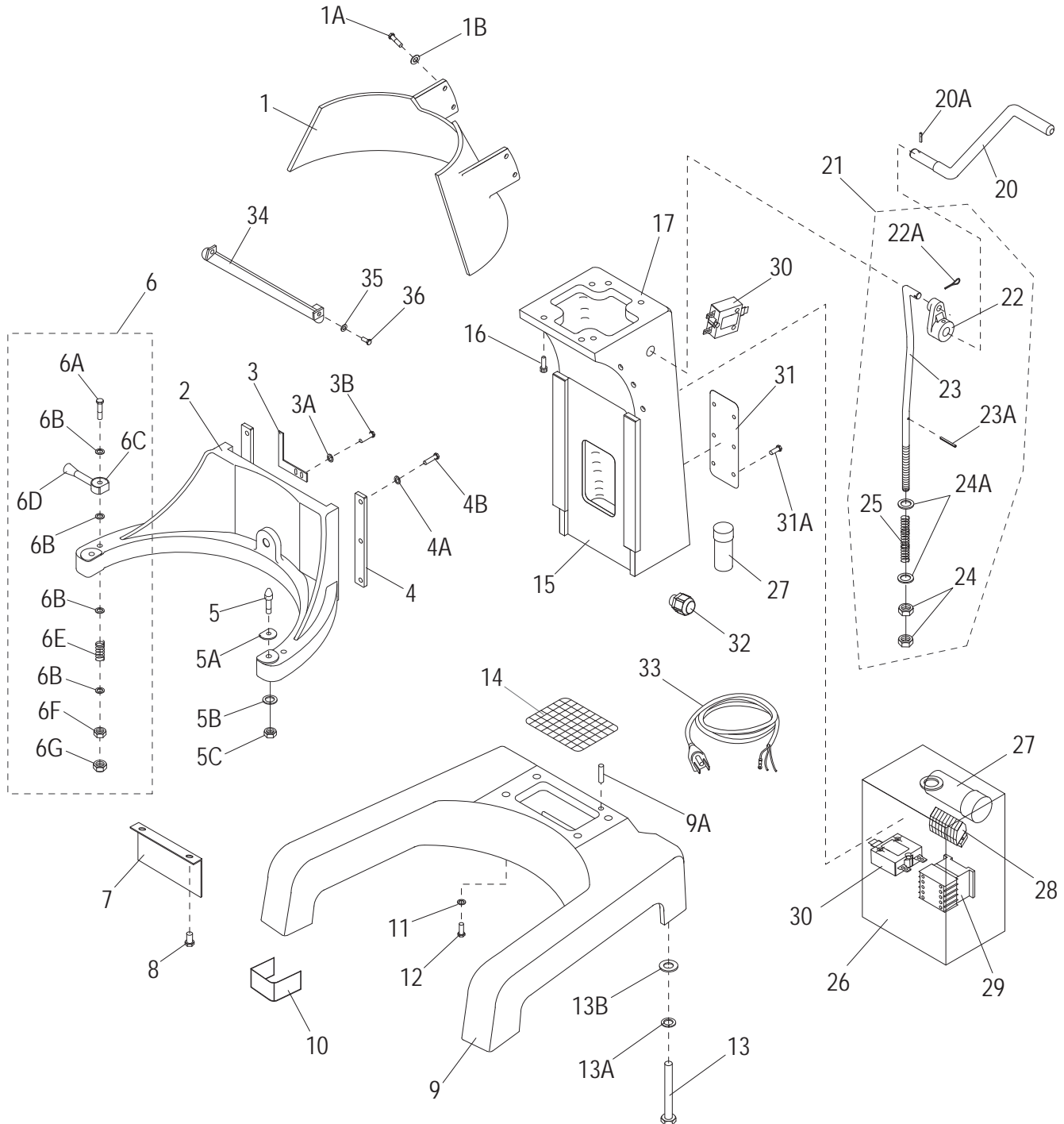
SPC10 Base Components



*EXTERNAL ELECTRICAL SYSTEM.
PRIOR TO S/N 7110226



**INTERNAL ELECTRICAL SYSTEM
STARTING WITH S/N 7110226.
MOTOR BRAKE MODELS (SPC)
USE ALTERNATE SWITCH





SPC10 Base Components

Item	Part Number	Description	Qty	Serial Number
1	X10023	Rear Guard	1	
1A	X25097	Screw M6x14mm Hex Hd	4	
1B	X25069	Washer M6 Flat	4	
2	X10021-DG	Bowl Cradle	1	
3	X10190	Touch Mass	1	
3A		Washer M4 Split Lock	2	
3B	X80J41	Screw M4x12mm Hex Hd - SS	2	
4	X10022	Bowl Slide	2	
4A	X80H51	Washer M6 Split Lock	6	
4B	X25097	Screw M6x14mm Hex Hd	6	
5	X10087	Dowel Screw	2	
5A	X01759	Washer M8	2	
5B	X08102	Washer M8 Split Lock	2	
5C	X10088	Nut M8 Acorn	2	
6	X10020	Bowl Clamp Assembly (Set/2)	1	(Incl. items 6A-6G)
6A		Bowl Clamp Screw	2	
6B		Washer M8 Flat	8	
6C	X10020-1	Bowl Clamp (Set/2)	1	
6D		Bowl Clamp Handle	2	
6E		Spring	2	
6F		Nut M8 Hex	2	
6G		Nut M8 Acorn	2	
7		Cover, Cradle	1	
8	X40056	Screw M6x8mm Hex Hd	2	
9	X10024	Mixer Base	1	
9	X10024-DG	Mixer Base	1	
9A		Dowel Pin Ø8x15mm	2	
10	X10136	Front/Rear Rubber Feet (Set/4)	4	
11		Washer M10 Flat	4	
12		Screw M10x40mm Hex Hd	4	
13	X10025	Screw M10x50mm Hex Hd	4	
13A	X80B02	Washer M10 Split Lock	4	
13B	X10034	Washer M10 Flat	4	
14	X10031	Screen	1	
15	X10035-1-DG	Mixer Column, New Style	1	
16		Cap Screw M8x25mm Socket Hd	4	
17	X91014	Label, Hazardous Voltage	1	Not Shown
18	X30219	Microswitch, Bowl Lift	1	Ext. Elect. Sys.
18A		Bracket	1	Ext. Elect. Sys.
18B	X40056	Screw M6x8mm Hex Hd	2	Ext. Elect. Sys.
18C	X10084	Cover, Microswitch	1	Ext. Elect. Sys.
18D		Screw M5x10mm Round Hd - Switch Mounting	2	Ext. Elect. Sys.
19	X10057	Microswitch, Interlock	1	
19A		Bracket	1	
19B	X40056	Screw M6x8mm Hex Hd	2	
19C		Screw M5x10mm Round Hd - Switch Mounting	2	
20	X10040	Bowl Lift Arm	1	
20A	X10039	Dowel Pin Ø5x30mm	1	
21	X10037A	Bowl Lift Arm Assembly	1	(Incl. items 22-25)
22		Bowl Lift Cam	1	
22A		Cotter Pin	1	
23		Bowl Lift Rod	1	
23A		Roll Pin Ø3x28mm	1	



SPC10 Base Components

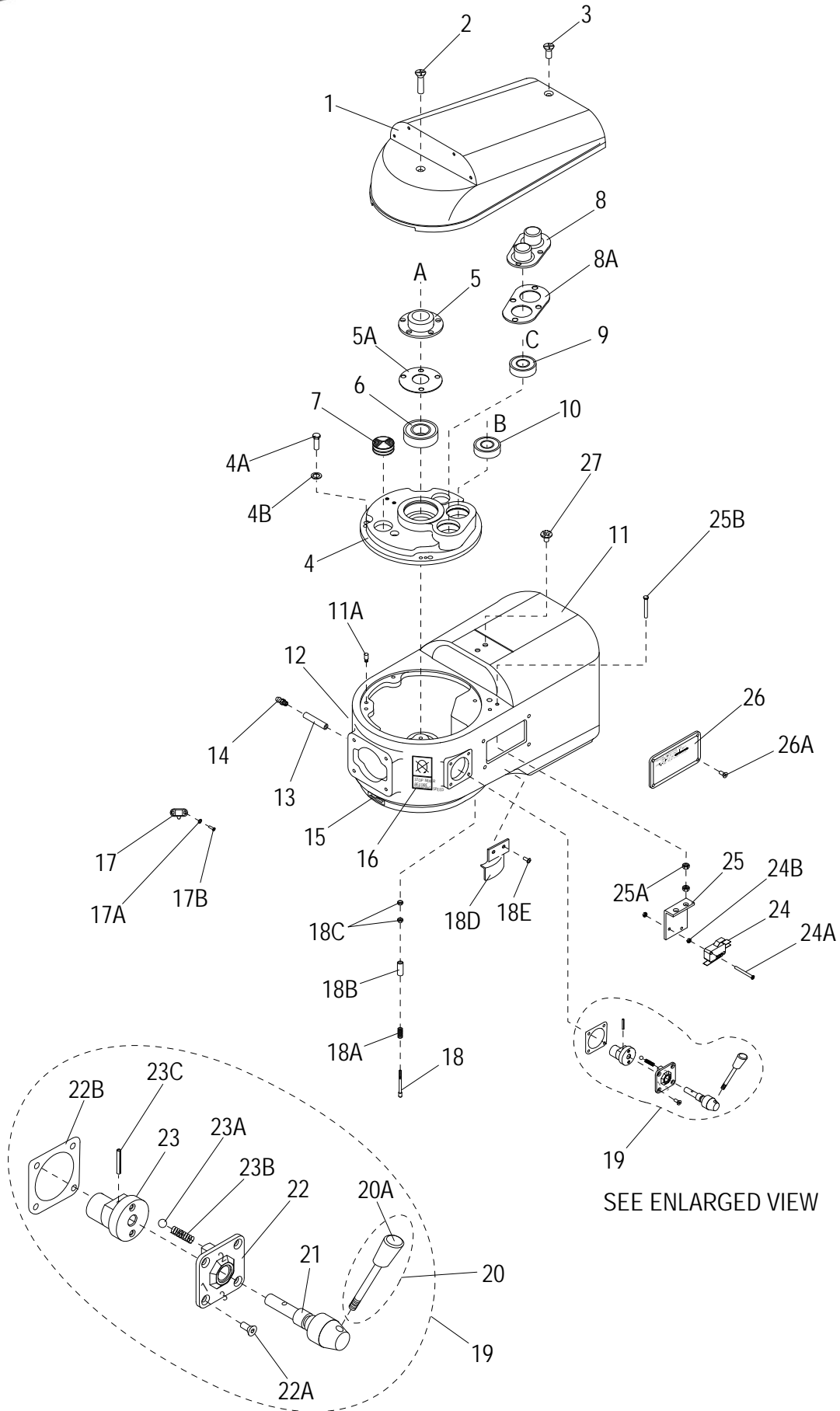
Item	Part Number	Description	Qty	Serial Number
24		Nut M10 Hex	2	
24A	X10034	Washer M10 Flat	2	
25		Spring	1	
26	X10030	Electrical Box	1	Ext. Elect. Sys.
27	X10026	Capacitor, Start - 200MF	1	
28	X10029A	Connecting Block Set	1	
28	X10029-2G	Connecting Block, Gray (2C)	7	
28	X10029-EC	Connecting Block End Cap	1	
29	X10028	Contactors	1	Ext. Elect. Sys.
30	X10027-1	Circuit Breaker (Old Style, E-T-A Series)	1	
30	X10027-2	Circuit Breaker (New Style, 74 Series)	1	
31	X10191	Cover Plate	1	Int. Elect. Sys.
31A	X25051	Screw M5x6mm Truss Hd	4	Int. Elect. Sys.
32		Strain Relief	1	Int. Elect. Sys.
33		Power Cord And Plug	1	Int. Elect. Sys.
34	X10184	Front Guard, Mixer Column	1	Int. Elect. Sys.
35		Washer M6 Flat	2	Int. Elect. Sys.
36	X40056	Screw M6x8mm Hex Hd	2	Int. Elect. Sys.



INTENTIONALLY LEFT BLANK PAGE



SPC10 Head Components





SPC10 Head Components

Item	Part Number	Description	Qty	Serial Number
1	X10001-1	Transmission Cover-Side Controls	1	
1	X10001-2-DG	Transmission Cover-Front Controls	1	
2	X10180	Screw M6x30mm Flat Hd - Transmission Cover, Front	1	
3	X10181	Screw M6x15mm Flat Hd - Transmission Cover, Rear	1	
4	X10074	Transmission Case Lid	1	
4A		Screw M6x16mm Hex Hd	4	
4B		Washer M6 Split Lock	4	
5	X10072	Bearing Retainer Cap	1	
5A	X10187	Gasket, Bearing Retainer	1	
6	X10010	Ball Bearing	1	
7	X10073	Oil Plug	1	
8	X10071	Twin Bearing Retainer	1	
8A	X10188	Gasket, Twin Bearing Retainer	1	
9	X10068	Ball #35 Bearing	1	
10	X10068	Ball #35 Bearing	1	
11	X10059	Case, Transmission - Fixed Bowl Guard	1	
11	X10059-1	Case, Transmission - Removable Bowl Guard	1	
11A		Locating Pin Ø8xM6x10mm	2	
12	X91009	Label, Lubricate	1	
13	X10217	Grease Tube	1	
14	X10900	Grease Fitting	1	
15	X91012	Label, Arrow	1	
16	X91010	Label, Stop To Chg Gears	1	
17	X10134	Safety Guard Spring Lock	1	
17A	X10134A	Washer M3 Split Lock	2	
17B	X10134B	Screw M3x8mm Round Hd	2	
18	X10043	Touch Shaft, Brass	1	
18	X10043N	Touch Shaft, Nylon	1	
18A	X10044	Spring	1	
18B		Tube	1	
18C	X30186	Nut M5 Hex	2	
18D	X20516	Cover, Touch Shaft (Removable Bowl Guard)	1	
18E		Screw M5x8mm Truss Hd	2	
19	X10045-48	Gear Shift Lever Assembly (Incl. items 20-23C)	1	
20	X10045	Gear Shift Lever Assy With Knob (Incl. item 20A)	1	
20A	X10045-1	Knob, Gear Shift	1	
21		Shaft	1	
22		Cover	1	
22A	X25166	Screw M5x20mm Flat Hd	4	
22B	X10199	Gasket	1	
23		Shaft Bias	1	
23A		Roller	2	
23B		Spring	2	
23C		Roll Ø3x28mm Pin	1	
24	X10057	Microswitch, Interlock	1	
24	X10057-1	Microswitch, Interlock	1	
24A		Screw M3x12mm Switch Mounting	2	
24B		Washer M18 Flat	4	
25	X10058	Bracket, Microswitch	1	
25A		Nut M6 Hex	4	
25B		Screw M6x40mm Hex Hd - Bracket Mounting	2	
26	X10055	Plate, Warning	1	
26A		Screw M4x6mm Pan Hd	4	



SPC10 Head Components

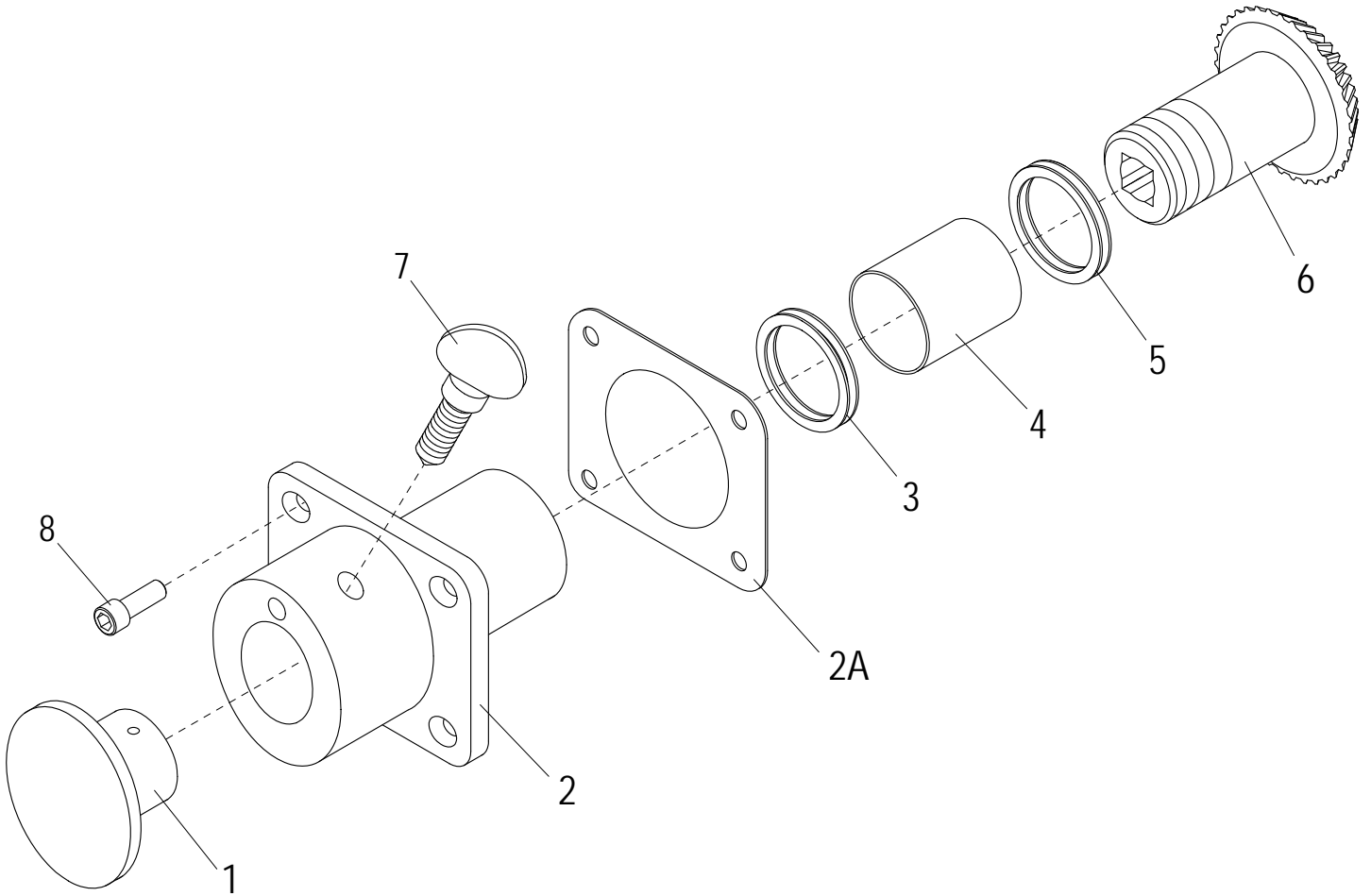
Item	Part Number	Description	Qty	Serial Number
27	X10131	Screw #10-24x3/8" Flat Hd	Int. Elec. Sys. Only 1	



INTENTIONALLY LEFT BLANK PAGE



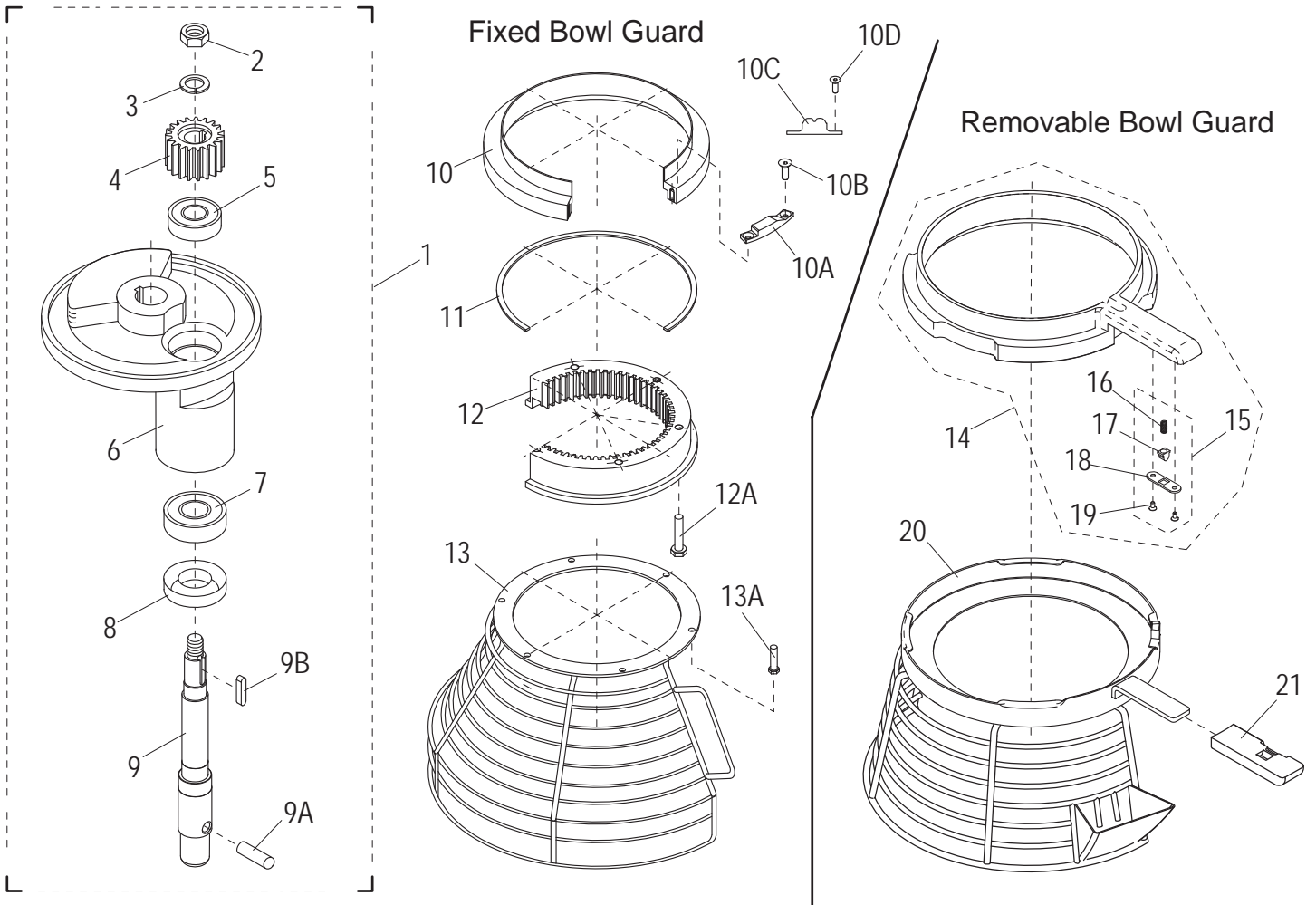
SPC10 Hub Assembly Components





SPC10 Hub Assembly Components

Item	Part Number	Description	Qty	Serial Number
1	X10007	Attachment Hole Plug	1	
2	X10006	Attachment Hub	1	
2	X10006-DG	Attachment Hub	Includes *	1
2A		Gasket		1
3	X10089	Oil 45x35x8mm Seal	*	1
4	X10075	Bearing	*	1
5	X10004	Thrust Washer		2
6	X10003	Level Drive Gear (35T)		1
7	X10005	Thumb Screw 1/2-13x3/4"		1
8	X80B52	Screw M6X25mm Socket Hd		4



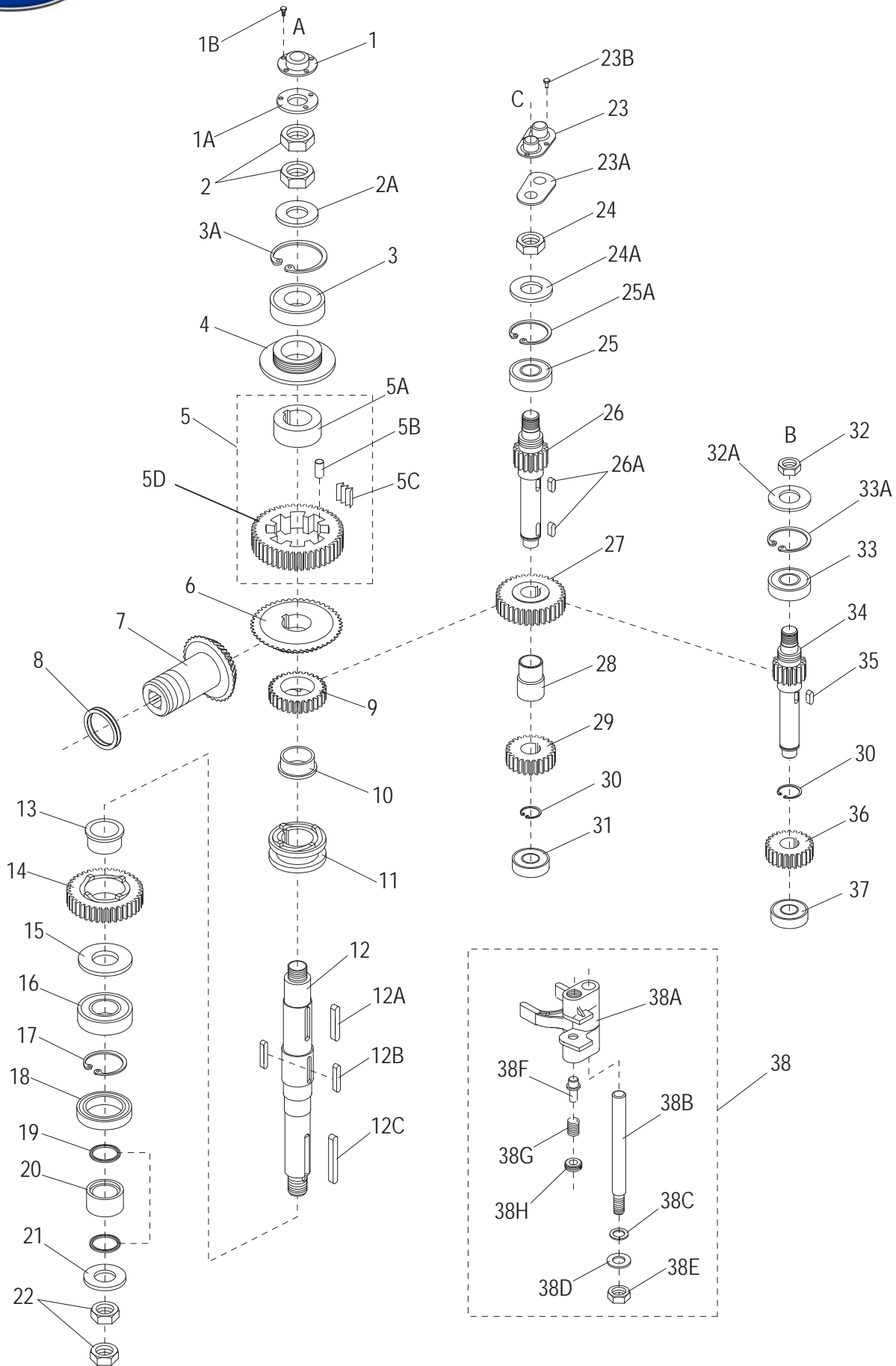


SPC10 Planetary Components

Item	Part Number	Description	Qty	Serial Number
1	X10008-82	Complete Planetary Assembly (Incl. items 2-9B)	1	
2	X10008	Nut M12 Hex	1	
3	X80B05	Washer M12 Split Lock	1	
4	X10009	Pinion, Beater (19T)	1	
5	X10010	Ball Bearing	1	
6	X10011-DG	Planetary Holder	1	
7	X10012	Ball Bearing	1	
8	X10013	Oil Seal	1	
9	X10015	Planetary Shaft	1	
9A	X10080	Dowel Pin	1	
9B	X10014	Shaft Key 5x5x17mm (Incl. with X10015)	1	
10	X10076P	Slide Sheath, Molded	1	
10A	X10041	Touch Mass	1	
10B	X10042	Screw M4x10mm Flat Hd - SS	2	
10C	X10135	Safety Guard Spring Lock Fixture	1	
10D		Screw M4x10mm Round Hd	2	
11	X10077	Teflon Mat	1	
12	X10078	Planetary Internal Gear (63T)	1	
12A	X10082	Screw 1/4-20 X 1.25" Socket Hd	6	
13	X10079/81	Front Interlock Guard Assembly	1	
13A	X10083	Screw M5x8mm Hex Hd - Locking Patch	6	
14	X200S2	Plastic Slide Sheath, Removable Safety Guard (Incl. items 15-19)	1	
15	X200S3	Spring Plunger Hardware Kit	1	
16		Spring	1	
17		Plunger	1	
18		Plate, Plunger Retention	1	
19		Screw M3x8mm Flat Hd	2	
20	X100S1	Bowl Guard Assembly, Stainless Steel	1	
21	X20504	Handle, Plastic - Removable Safety Guard	1	



SPC10 Gearbox Components





SPC10 Gearbox Components

Item	Part Number	Description	Qty	Serial Number
1	X10072	Bearing Retainer Cap	1	
1A	X10187	Gasket, Bearing Retainer	1	
1B	X10133	Screw M8x10mm Pan Hd	4	
2	X10132	Nut 1/2-20 Jam	2	
2A		Washer 1/2" Flat	1	
3	X10010	Ball Bearing	1	
3A		Retaining Ring	1	
4	X10090	Lead-In Oil Pad	1	
5	X10091-94	Slow Speed Gear Assembly	Incl. items 5A-5D)	1
5A	X10091	Bushing	1	
5B		Dowel Ø8x16mm Pin	1	
5C	X10093	Slice Spring	8	
5D		Gear, Slow Speed (46T)	8	
6	X10095	Gear, Bevel (46T)	1	
7	X10003	Level Drive Gear (35T)	1	
8	X10004	Thrust Washer	1	
9	X10096	Gear, Clutch (29T)	1	
10	X10099	Bushing, Clutch	1	
11	X10110	Sleeve, Clutch	1	
12	X10107	Drive Shaft	1	
12A	X10098	Shaft Key 6x6x27mm	1	
12B	X10109	Shaft Key 5x5x27mm	1	
12C	X10108	Shaft Key 6x6x45mm	1	
13	X10099	Bushing, Clutch	1	
14	X10100	Gear, Clutch (38T)	1	
15	X10101	Washer, Stepped	1	
16	X10102	Ball Bearing	1	
17		Retaining Ring RTW-52	1	
18	X10105	Oil Seal	1	
19	X10103	O-Ring 28x22x3mm	2	
20	X10104	Guard, Oil Bushing	1	
21		Washer M20 Flat	1	
22	X10106	Nut M20 Jam	2	
23	X10071	Twin Bearing Retainer	1	
23A	X10188	Gasket, Twin Bearing Retainer	1	
23B	X10131	Screw #10-24x3/8" Flat Hd	4	
24	X10130	Nut 3/8"x24 Hex	1	
24A		Washer 3/8" Flat	1	
25	X10068	Ball #35 Bearing	1	
25A		Retaining Ring	1	
26	X10129	Transmission Shaft (15T)	1	
26A	X10128	Shaft Key 5x5x10mm	2	
27	X10126	Gear (32T)	1	
28	X10122	Bushing, Spacer	1	
29	X10121	Gear (24T)	1	
30	X10120	Retaining Ring STW-19	2	
31	X10117	Drive Shaft Upper Ball Bearing	1	
32	X10125	Nut M10 Hex	1	
32A	X10034	Washer M10 Flat	1	
33	X10068	Ball #35 Bearing	1	
33A		Retaining Ring	1	
34	X10124	Shaft, Master (15T)	1	
35	X10123	Shaft Key 5x5x15mm	1	



SPC10 Gearbox Components

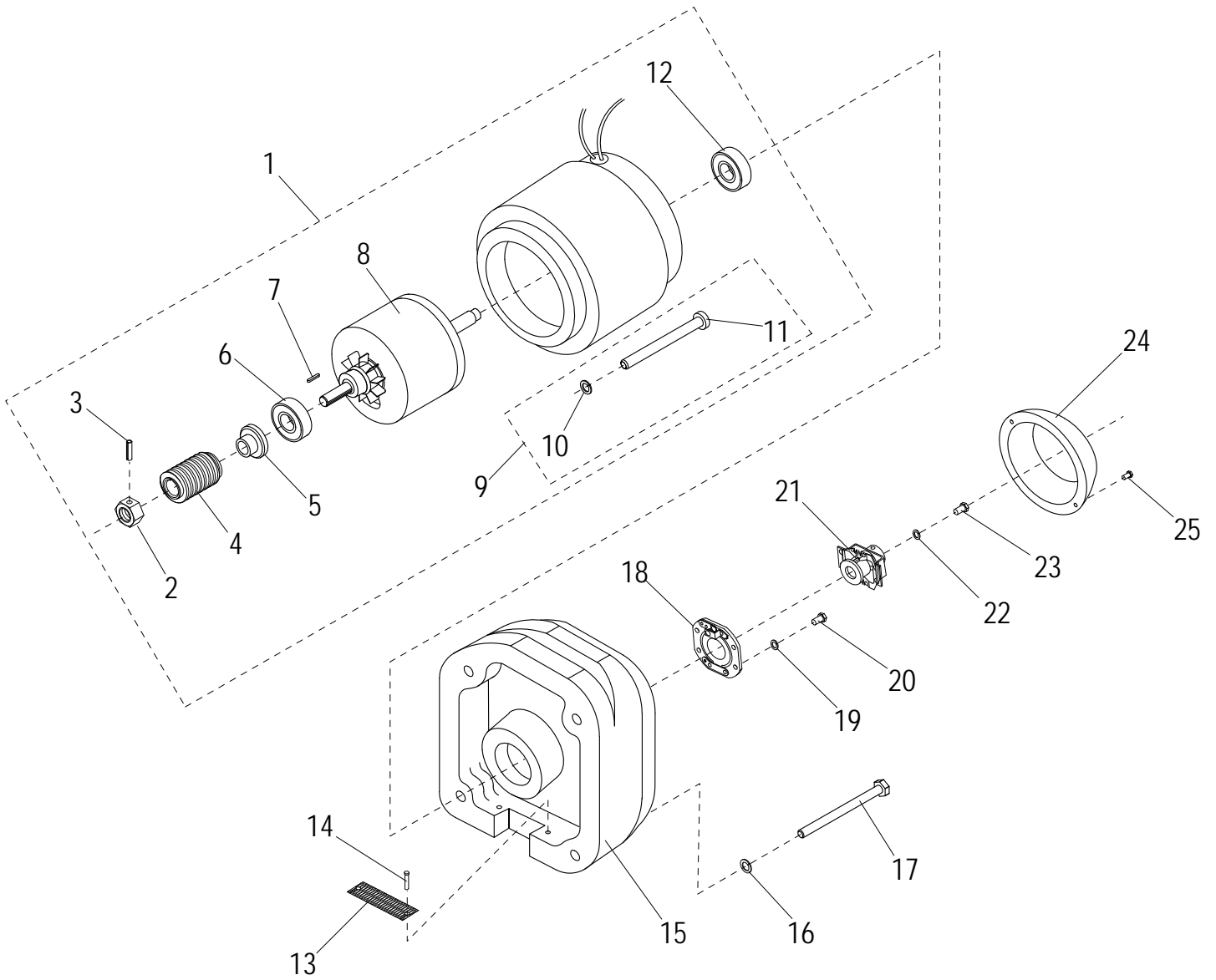
Item	Part Number	Description	Qty	Serial Number
36	X10118-24T	Worm Wheel (24T)	1	
36	X10118	Worm Wheel (29T)	1	
37	X10117	Drive Shaft Upper Ball Bearing	1	
38	X10111-116	Yoke Shifter Assembly (Incl. items 38A-38H)	1	
38A		Yoke Shifter	1	
38B		Guide, Rod Shifter	1	
38C		Washer 3/8" Split Lock	1	
38D		Washer 3/8" Flat	1	
38E		Nut 3/8-16 Stop	1	
38F		Plunger, Yoke Shifter	2	
38G		Spring, Retainer	2	
38H		Spring, Yoke Shifter	2	



INTENTIONALLY LEFT BLANK PAGE



SPC10 Motor Components



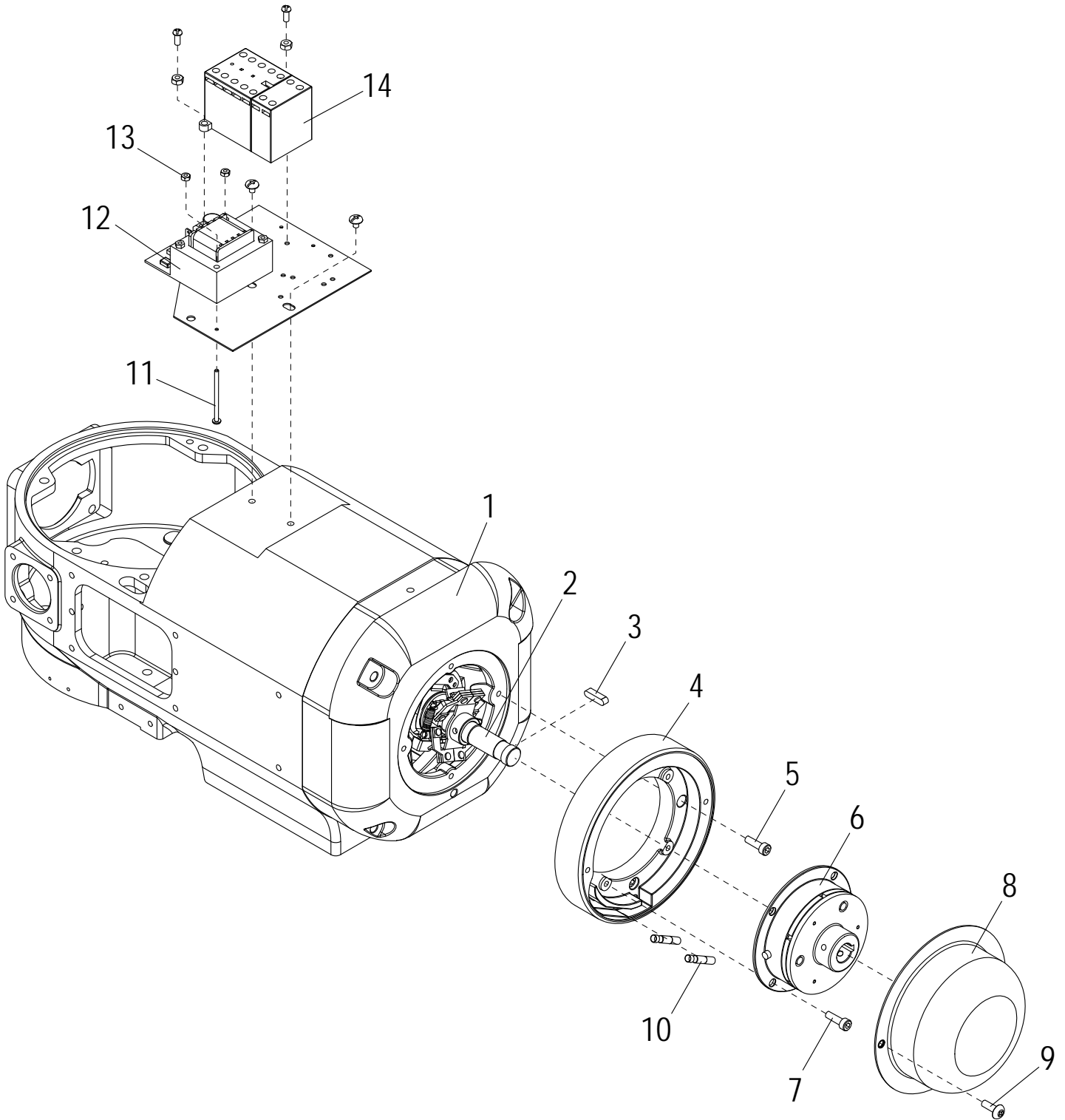


SPC10 Motor Components

Item	Part Number	Description	Qty	Serial Number
1	X10060-67C	Motor Assembly, 1/3 HP - Motor Brake (Incl. items 2-12)	1	
2	X20066	Nut M8 Hex - Pinned	1	
3		Roll Pin M3x16mm	1	
4	X20065	Worm (5T)	1	
5	X20060	Spring Shock Absorber	1	
6	X08114	Ball Bearing	1	
7	X20202	Shaft Key 3x3x17mm	1	
8		Motor Shaft	1	
8		Motor Coil	1	
9	X20206-207	Screw And Lock Washer Set (Incl. items 10-11)	1	
10	X20207	Washer M5 Split Lock	4	
11		Screw M5x84mm Hex Hd	4	
12	X08114	Ball Bearing	1	
13	X20031	Screen	1	
14		Rivet	2	
15	X10054	Transmission Cover, Rear	1	
16	1226	Washer M6 Split Lock	4	
17	X20161	Screw M6x35mm Hex Hd	4	
18	X10051	Switch, Platinum	1	
19	X20207	Washer M5 Split Lock	2	
20		Screw M5x10mm Hex Hd	2	
21	X10052	Clutch	1	
22	X20207	Washer M5 Split Lock	1	
23		Screw M5x10mm Hex Hd	1	
24	X10053	Cover	1	
25		Screw M5x10mm Hex Hd	2	



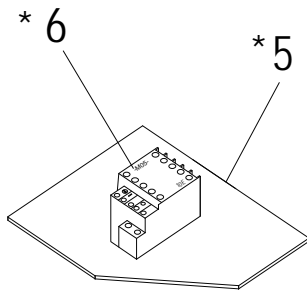
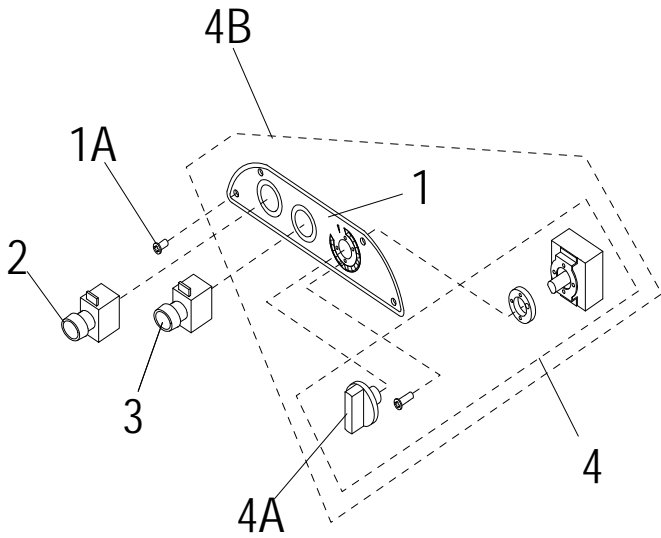
SPC10 Motor Brake Components





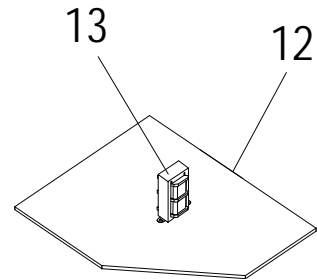
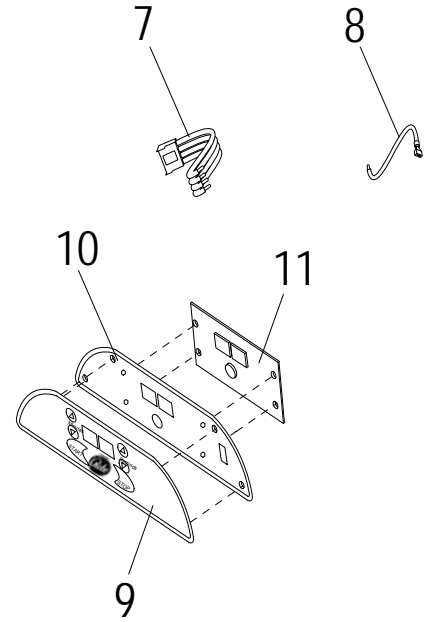
SPC10 Motor Brake Components

Item	Part Number	Description	Qty	Serial Number
1	X20054-1	Motor Cover, Rear - Mtr Brake	1	
2		Motor Shaft	1	
3		Shaft Key 5x5x17mm	1	
4	X20509	Housing, Brake	1	
5		Screw 3/16" Socket Hd	4	
6	X20511	Magnetic Brake	1	
7	X80F16	Screw M5x12mm Hex Hd - SS	4	
8	X20510	Cover, Magnetic Brake	1	
9		Screw M5x10mm Button Hd	2	
10		Connector	2	
11		Screw M3x34mm Round Hd	2	
12	X20512	Electronic Board, 115V	1	
13		Nut M3 Hex	2	
14	X20513	Auxiliary Contact Block	1	



*ONLY USED ON MODELS WITH INTERNAL ELECTRICAL SYSTEM.

MANUAL TIMER



DIGITAL TIMER

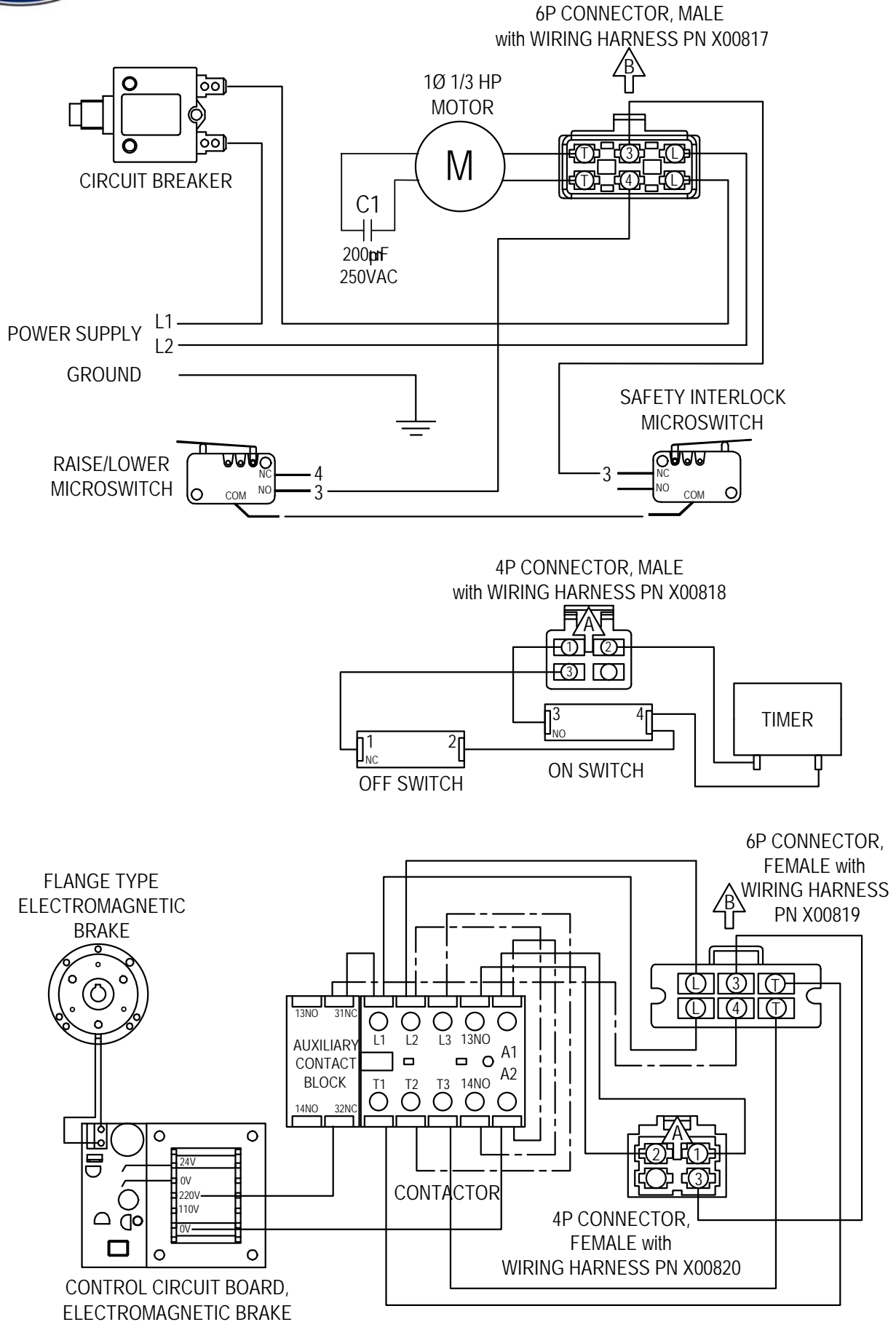


SPC10 Manual Lift Controls

Item	Part Number	Description	Qty	Serial Number
1	X10002	Control Panel	1	
1A	X10179	Screw M4x10mm Truss Hd - Control Panel Mounting	4	
2	X10050	Emergency Stop Button	1	
3	X10049	Start Button	1	
3A	X10049-1	Boot, Start/Stop Switch Button	Not Shown	2
4	X10137	Timer Assembly With Knob	(Incl. item 4A)	1
4A	X10137-1	Timer Knob		1
4B	X10296	Timer Assy W/Control Panel	(Incl. items 1 & 4)	1
5		Contactormounting Plate	Int. Elect. Sys. Only	1
6	X10028ABB	Contactormounting, 12V, 300VAC	Int. Elect. Sys. Only	1
7	X00675	4 Wire Harness With Connector		1
8	X00676	Single Wire With Quick Connect		2
9	X00565	Switch, Membrane		1
10	X01336	Aluminum Panel		1
11	X00568	Control Board		1
12		Mounting Plate		1
13	X00569	Control Transformer Assembly		1
14	X00570	Control Transformer Fuse	Not Shown	1



SPC10 Wiring Diagram - 120V Single Phase





SPC10 Wiring Diagram - 120V Single Phase

