

Parts Catalog



CC22

Meat Chopper

Model: CC22

09-06-16 Rev. A

IMPORTANT!

TO EXPEDITE SHIPMENT OF PARTS, ALWAYS SPECIFY MODEL, REV,
PART NUMBER, AND SERIAL NUMBER OF UNIT.

GLOBE FOOD EQUIPMENT COMPANY

2215 East River Road
Dayton, Ohio 45439

Parts Department

Toll Free 1-800-745-6238 · Fax (937) 290-0585

E-Mail: info@globefoodequip.com

Website: www.globefoodequip.com

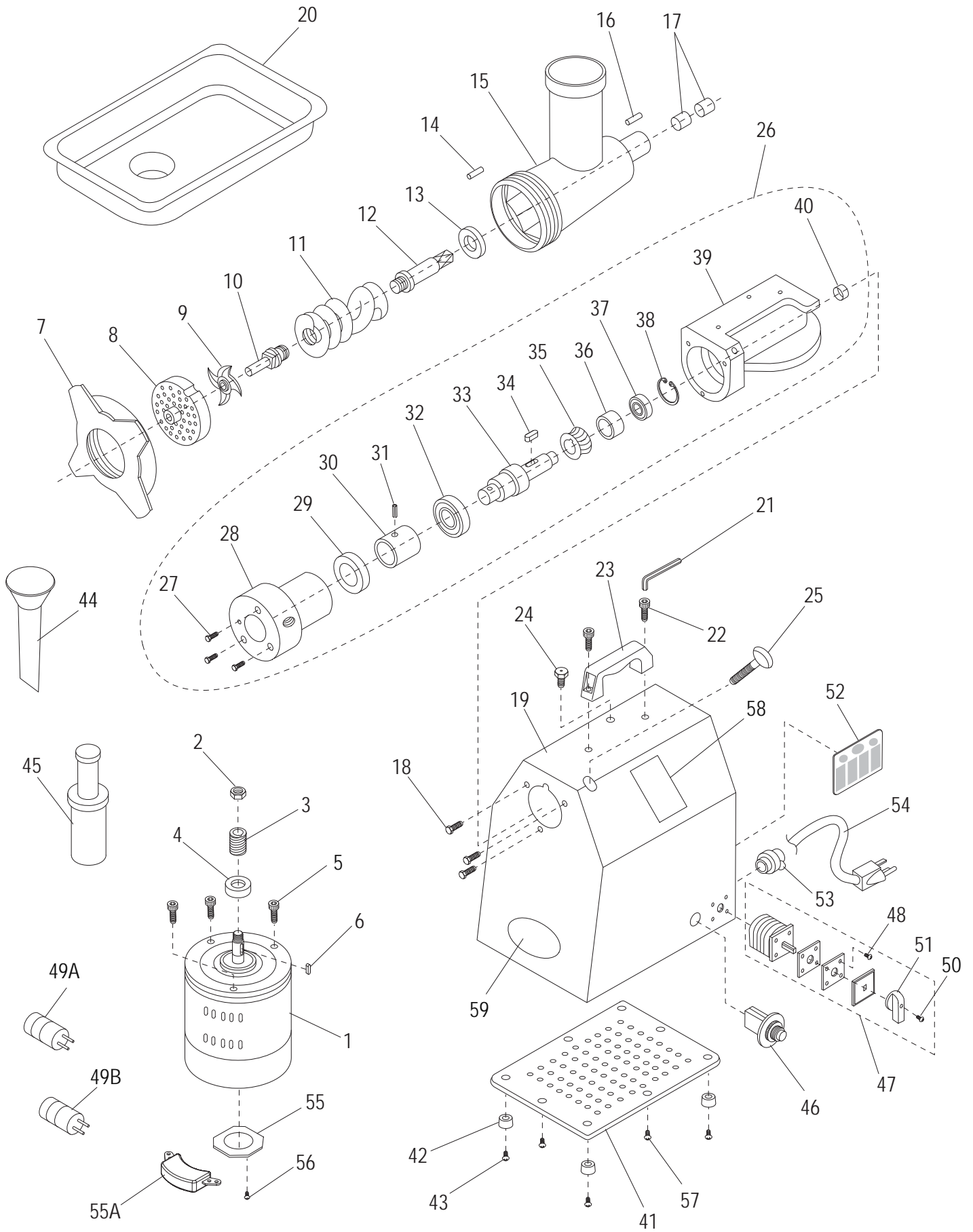
Not for resale

Table of Contents

Description	Page
Meat Chopper Components	4
Wiring Diagram	8



Meat Chopper Components





Meat Chopper Components

Item	Part Number	Description	Qty	Serial Number
1	CC2218A	Motor	1	
2	CC1202	Nut, Motor Gear	1	
3	CC2216	Gear, Motor Drive	1	
4	CC1204	Seal, Oil, Motor	1	
5	CC2254	Screw, Motor Mounting	3	
6	CC1206	Key, Motor	1	
7	CC2205	Plate Retainer	1	
8	CP XX-22	Chopper Plate	1	New Equip. Sales (XX=Plate Size)
9	CK-22	Chopper Knife	1	Avail. thru New Equip. Sales
10	CC2208	Knife Lock	1	
11	CC2209	Shaft, Propeller Screw	1	
12	CC1212	Shaft, Propeller Drive	1	
13	CC1213	Washer, Nylon	1	
14	CC1214	Pin, Chopper Plate Lock	1	
15	CC2204	Housing, Chopper	1	
16	CC1216	Pin, Chopper Housing Lock	1	
17	CC1217	Bushing, Chopper Housing	2	
18	CC1218	Screw, Gear Box Mounting	3	
19	CC2211B	Housing, Drive	1	
20	CC2201	Food Tray	1	
21	CC1221	Wrench, Hex	1	
22	CC1222	Screw, Handle Mounting	2	
23	CC2249	Handle	1	
24	CC1224	Oil Plug	1	
25	CC2227	Thumb Screw	1	
26	CC2299-1	Gear Box Assembly	1	(Incl. items 27-40)
27	CC1226	Screw, Attachment Hub Mounting	3	
28	CC1227	Attachment Hub	1	
29	CC1228	Seal, Oil, Attachment Hub	1	
30	CC1229	Shaft, Attachment Hub Drive	1	
31	CC1230	Pin, Spring, Attachment Hub	1	
32	CC1231	Bearing, Attachment Hub, Front	1	
33	CC2214	Shaft, Attachment Hub Worm	1	
34	CC1233	Key, Attachment Hub Worm Shaft	1	
35	CC2215	Gear, Attachment Hub Worm	1	
36	CC2217	Spacer, Bearing	1	
37	CC1236	Bearing, Attachment Hub, Rear	1	
38	CC1237	Ring, Retaining, Attachment Hub Worm Shaft	1	
39	CC2211A	Gear Box	1	
40	CC1239	Cover	1	
41	CC2247	Bottom Enclosure	1	
42	CC1241	Foot, Rubber	4	
43	CC1242	Screw, Rubber Foot/Enclosure	4	
44	CC2237	Stuffing Tube	1	
45	CC1244	Food Pusher	1	
46	CC1245	Switch, Reset	1	
47	CC1246	Switch Forward/Reverse	1	
48	CC1247	Screws, Switch Mounting	4	
49A	CC1248A	Capacitor, Start (300uF)	1	
49B	CC2248B	Capacitor, Run (55uF)	1	
50	CC1247	Screws, Switch Mounting	1	
51	CC1250	Knob, Switch	1	
52	CC2226	Data Plate	1	



Meat Chopper Components

Item	Part Number	Description	Qty	Serial Number
53	CC1253	Strain Relief	1	
54	CC1254	Power Cord	1	
55A	CC2265	Motor Start Relay	1	
55	Use Item #55A	Plate, Centrifugal Switch	1	
56	CC1256	Screw, Plate Mounting	2	
57	CC1242	Screw, Rubber Foot/Enclosure	4	
58	CC9100	Label, Warning	1	
59	83	Chefmate Logo	1	



INTENTIONALLY LEFT BLANK PAGE



Wiring Diagram

