

Parts Catalog



SP40

Mixer

Model: SP40

03/09/2017 Rev -
IMPORTANT!

TO EXPEDITE SHIPMENT OF PARTS, ALWAYS SPECIFY MODEL, REV,
PART NUMBER, AND SERIAL NUMBER OF UNIT.

GLOBE FOOD EQUIPMENT COMPANY

2215 East River Road
Dayton, Ohio 45439

Parts Department

Toll Free 1-800-745-6238 · Fax (937) 290-0585

E-Mail: info@globefoodequip.com

Website: www.globefoodequip.com

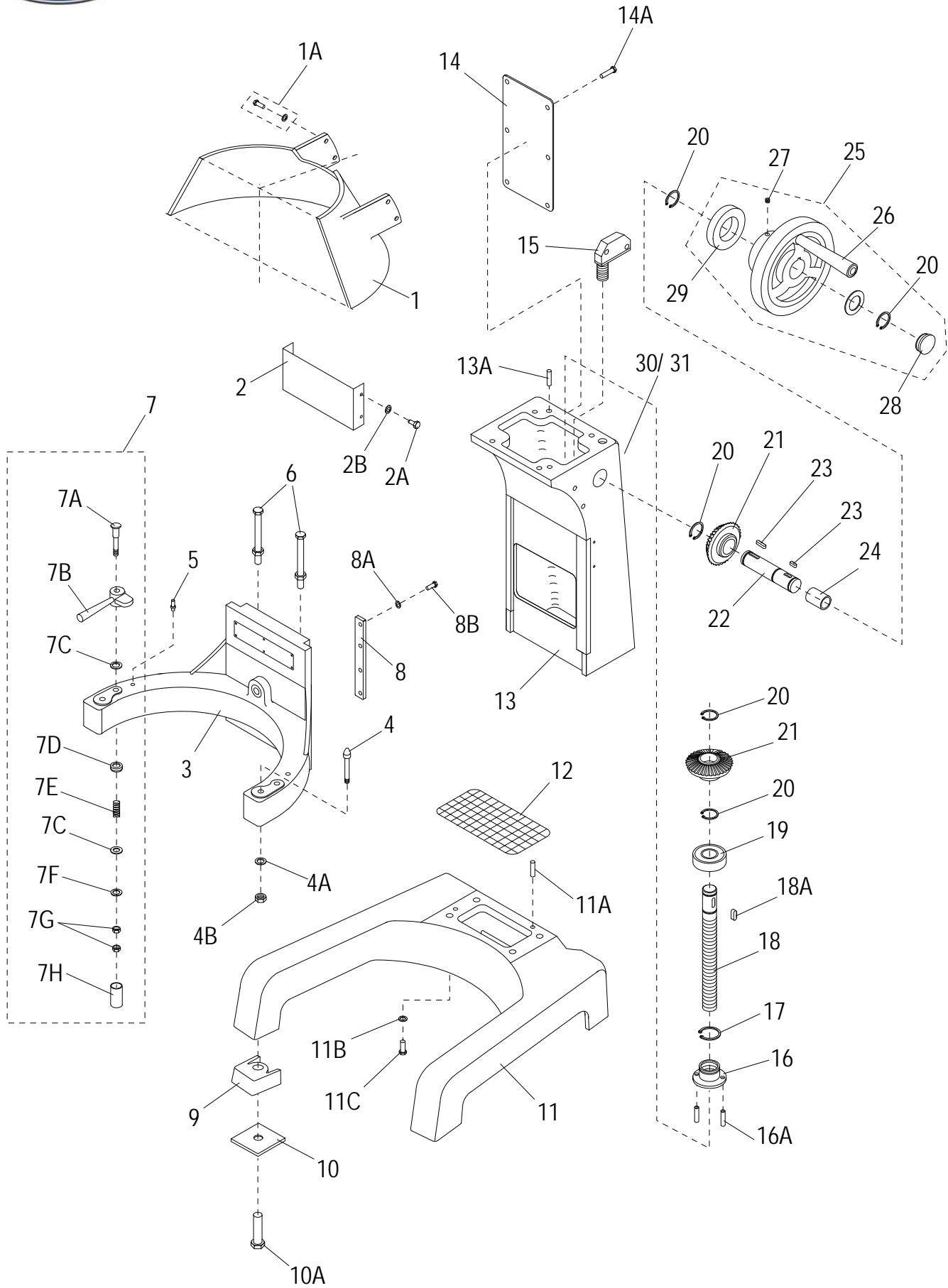
Not for resale

Table of Contents

Description	Page
SP40 Base Components	4
SP40 Head Components	8
SP40 Hub Assembly Components	12
SP40 Planetary Components	14
SP40 Gearbox Components	16
SP40 Motor Components	20
SP40 Manual and Digital Timer	22
SP40 Electrical Diagram, 220V Single Phase	24
SP40 Electrical Diagram, 208V Three Phase	25
SP40 Wiring Diagram, 220V Single Phase	26
SP40 Wiring Diagram, 208V Three Phase	27
SP40 Wiring Diagram, 220V Single Phase	28



SP40 Base Components





SP40 Base Components

Item	Part Number	Description	Qty	Serial Number
1	X40036	Guard, Rear	1	
1A	X30101	Hex Screw M8x20mm & Flat Washer	4	
2	X40102	Mixer Column Cover	1	
2A	X40056	Screw M6x8mm Hex Hd	3	
2B		Washer M6 Flat	3	
3	X40034	Bowl Cradle	1	
4	X40109	Dowel Pin M12 Threaded	2	
4A	X01372	Washer M12	2	
4B	X40110	Nut M12 Acorn	2	
5	X40164	Bowl Clamp Stop Pin	2	
6	X40106	Screw M10x54mm Hex Hd/Nut (Touch Shaft)	1	
7	X30033	Bowl Clamp Assembly (Set/2)	1	
7A	X30108	Bowl Clamp Hardware Kit	2	
7B	X30033-2	Bowl Clamp (Set/2, New Style)	1	
7C		Washer M12 Flat	4	
7D		Hardware Cap Retainer	2	
7E		Spring	2	
7F		Washer M10 Split Lock	2	
7G		Nut M12 Acorn	4	
7H		Hardware Cap	2	
8	X40035	Cradle Slide Guides	2	
8A		Washer M8 Flat	8	
8B	X30197	Screw M8x24mm Hex Hd	8	
9	X40162-163	Front/Rear Rubber Feet (Set)	1	
10		Shipping Washer	4	
10A		Shipping Bolt 3/8x45mm	4	
10B	450012	Seismic Flange Kit (Not Shown)	1	
11	X40038-DG	Mixer Base	1	
11A	X40040	Dowel Pin $\text{AE}8 \times 16 \text{mm}$ Column Locator	2	
11B		Washer M12 Flat	4	
11C		Screw M12x40mm Hex Hd	4	
12	X40037	Base Screen	1	
13	X40042	Mixer Column	1	
13A	X30178	Dowel Pin $\text{O}8 \times 16 \text{mm}$ Head Locator	2	
14	X40055	Plate, Rear Cover	1	
14A	X40056	Screw M6x8mm Hex Hd	6	
15	X30051	Microswitch, Bowl Lift	1	
16	X30104	Screw Sleeve	1	
16A	X30105	Roll Pin $\text{O}4 \times 30 \text{mm}$	1	
17	X25145	Retaining STW-35 Ring	1	
18	X40041	Bowl Lift Screw	1	
18A	X20123	Shaft Key 5x5x15mm	1	
19	X30043	Ball Bearing	1	
20	X30044	Retaining STW-25 Ring	5	
21	X30045	Oblique Gear (30T)	2	
22	X40047	Shaft, Hand Wheel	1	
23	X40073	Shaft Key 5x5x20mm	2	
24	X40050	Oilless Bearing	1	
25	X40053	Hand Wheel Crank With Handle, Plastic	1	
25	X40053M	Hand Wheel Crank With Handle, Metal	1	
26	X30053-1	Hand Wheel Crank Handle	1	
27		Set Screw M10x8mm Cup Pt. (Metal Wheel Only)	1	
28		Hand Wheel Cap	1	



SP40 Base Components

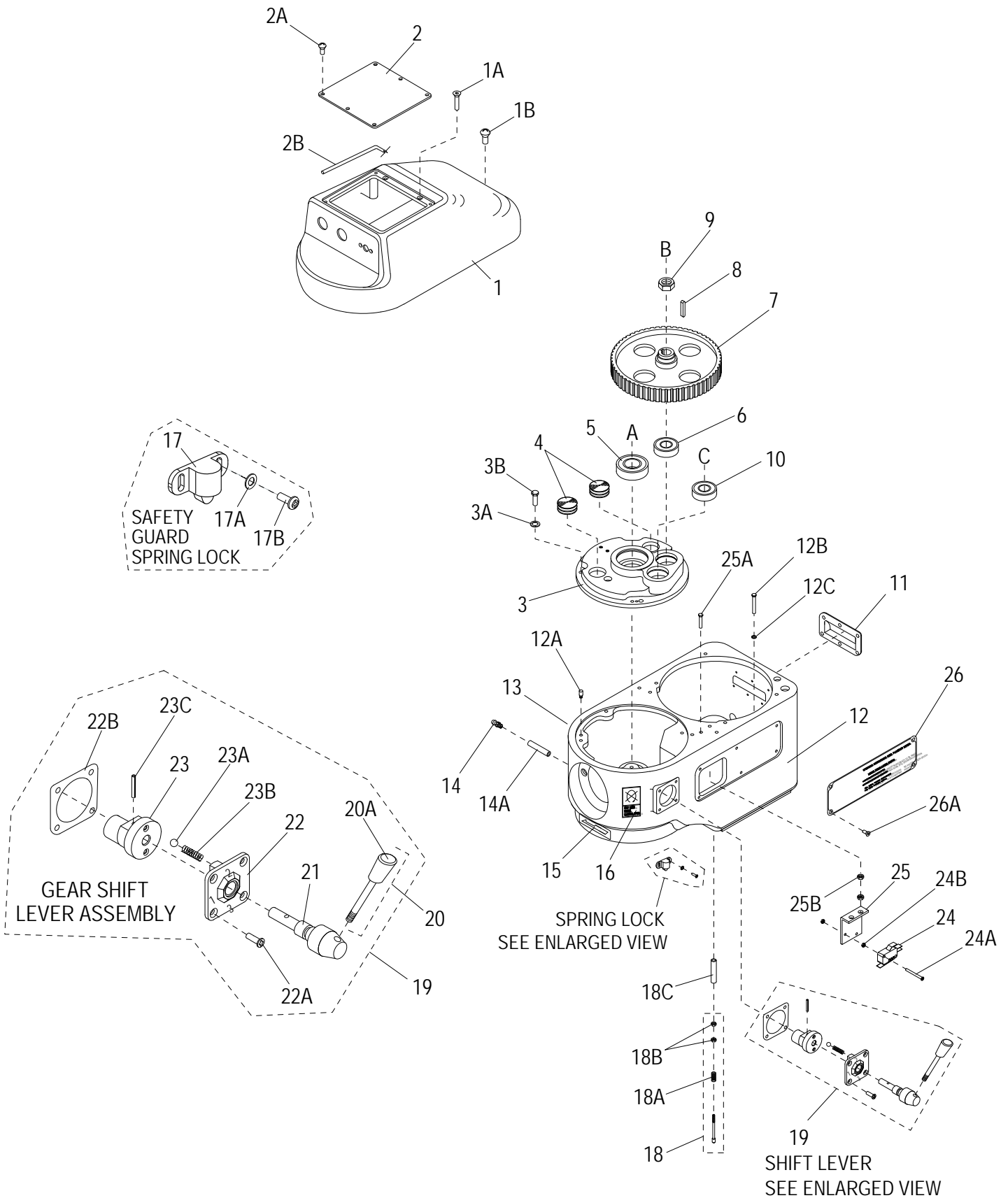
Item	Part Number	Description	Qty	Serial Number
29		Spacer (50m mod X 25.3mm Id X 10.2mm)	1	
30	X91014	Label, Hazardous Voltage	(Not Shown)	1
31	X91011	Label, Caution - 3 Phase	(Not Shown)	1



INTENTIONALLY LEFT BLANK PAGE



SP40 Head Components





SP40 Head Components

Item	Part Number	Description	Qty	Serial Number
1	X40004-DG	Cover, Transmission	1	
1A	X30207	Screw M8x108mm Flat Hd	2	
1B	X30220	Screw M6x90mm Flat Hd	1	
2	X40002	Cover, Switch Box	1	
2A	X40056	Screw M6x8mm Hex Hd	6	
2B	X40003	Gasket, Switch Box	1	
3	X40077	Cover, Gear Housing	1	
3A	X30198	Washer M8 Split Lock	4	
3B	X30197	Screw M8x24mm Hex Hd	4	
4	X10073	Oil Plug	2	
5	X30024	Ball Bearing	1	
6	X10012	Ball Bearing	1	
7	X40080	Wheel 5x5x30mm Main Cog (97T)	1	
8	X40081	Shaft Key	1	
9	X40082	Nut M16 Jam & Washers	1	
10	X10012	Ball Bearing	1	
11	X30076	Plate, Ventilation	1	
12	X40087	Transmission Case, Fixed Bowl Guard (1 Phase)	1	->7410525
12	X40087-1	Transmission Case, Removable Bowl Guard (1 Phase)	1	7410524 ->
12	X40087	Transmission Case, Fixed Bowl Guard (3 Phase)	1	->7450536
12	X40087-1	Transmission Case, Removable Bowl Guard (3 Phase)	1	7450535 ->
12A	X40199	Pin, Locating	2	
13	X91009	Label, Lubricate	1	
14	X10900	Grease Fitting	1	
14A	X10217	Grease Tube	1	
15	X91012	Label, Arrow	1	
16	X91010	Label, Stop To Chg Gears	1	
17	X10134	Safety Guard Spring Lock	1	
17A		Washer M3 Flat	2	
17B	X10134B	Screw M3x8mm Round Hd	2	
18	X40096	Touch Shaft Assy, Brass	1	
18	X30096N	Touch Shaft, Nylon	1	
18A	X30095	Spring	1	
18B	X30186	Nut M5 Hex	2	
18C	X40187	Tube	1	
19	X40057-60	Gear Shift Lever Assembly	1	
20	X40057	Gear Shift Lever With Knob	1	
20A	X30057-1	Knob, Gear Shift	1	
21		Shaft	1	
22		Cover	1	
22A	X30179	Screw M8x20mm Flat Hd	4	
22B	X30059-1	Gasket	1	
23		Shaft Bias	1	
23A		Roller	2	
23B		Spring	2	
23C		Roll Pin Ø5x28mm	1	
24	X10057	Microswitch, Interlock	1	
24A	854-2	Screw #4-40x5/8" Round Hd	2	
24B	854-3	Hex #4-40 Nut	4	
25	X30062	Bracket, Microswitch	1	
25A		Screw M6x20mm Hex Hd	2	
25B		Nut M6 Hex	4	
26	X30066	Plate, Warning	1	



SP40 Head Components

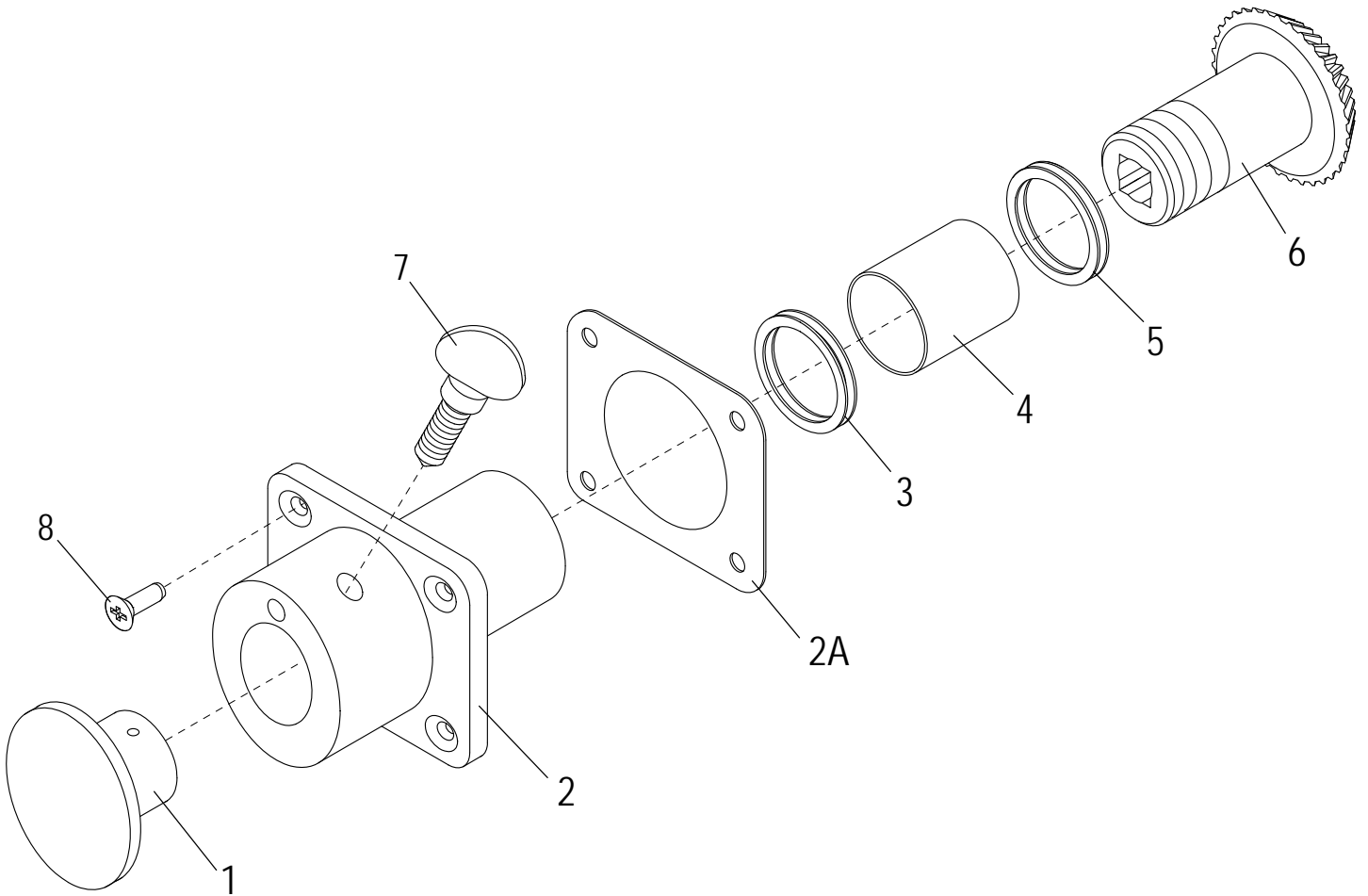
Item	Part Number	Description	Qty	Serial Number
26A	X30065	Screw M5x10mm Pan Hd	4	



INTENTIONALLY LEFT BLANK PAGE



SP40 Hub Assembly Components



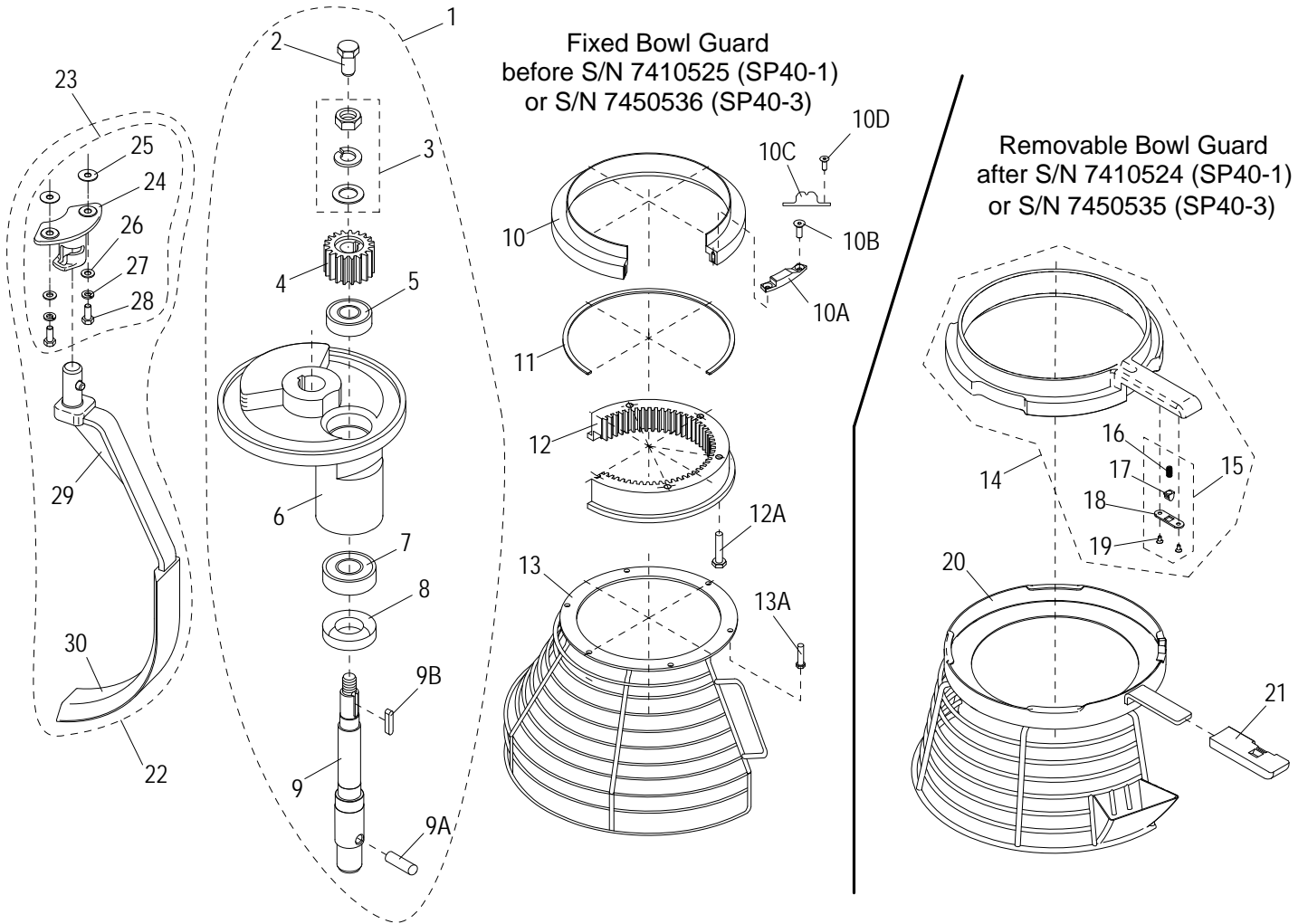


SP40 Hub Assembly Components

Item	Part Number	Description	Qty	Serial Number
1	X10007	Attachment Hole Plug	1	
2	X40017-DG	Attachment Hub	1	
2A		Gasket	1	
3	X10089	Oil 45x35x8mm Seal	1	
4	X10075	Bearing	1	
5	X30018-1	Thrust Washer Ø45xØ35mm	2	
6	X40014	Level Drive Gear (35T)	1	
7	X10005	Thumb Screw 1/2-13x3/4"	1	
8	X80B52	Screw M6X25mm Socket Hd	4	



SP40 Planetary Components



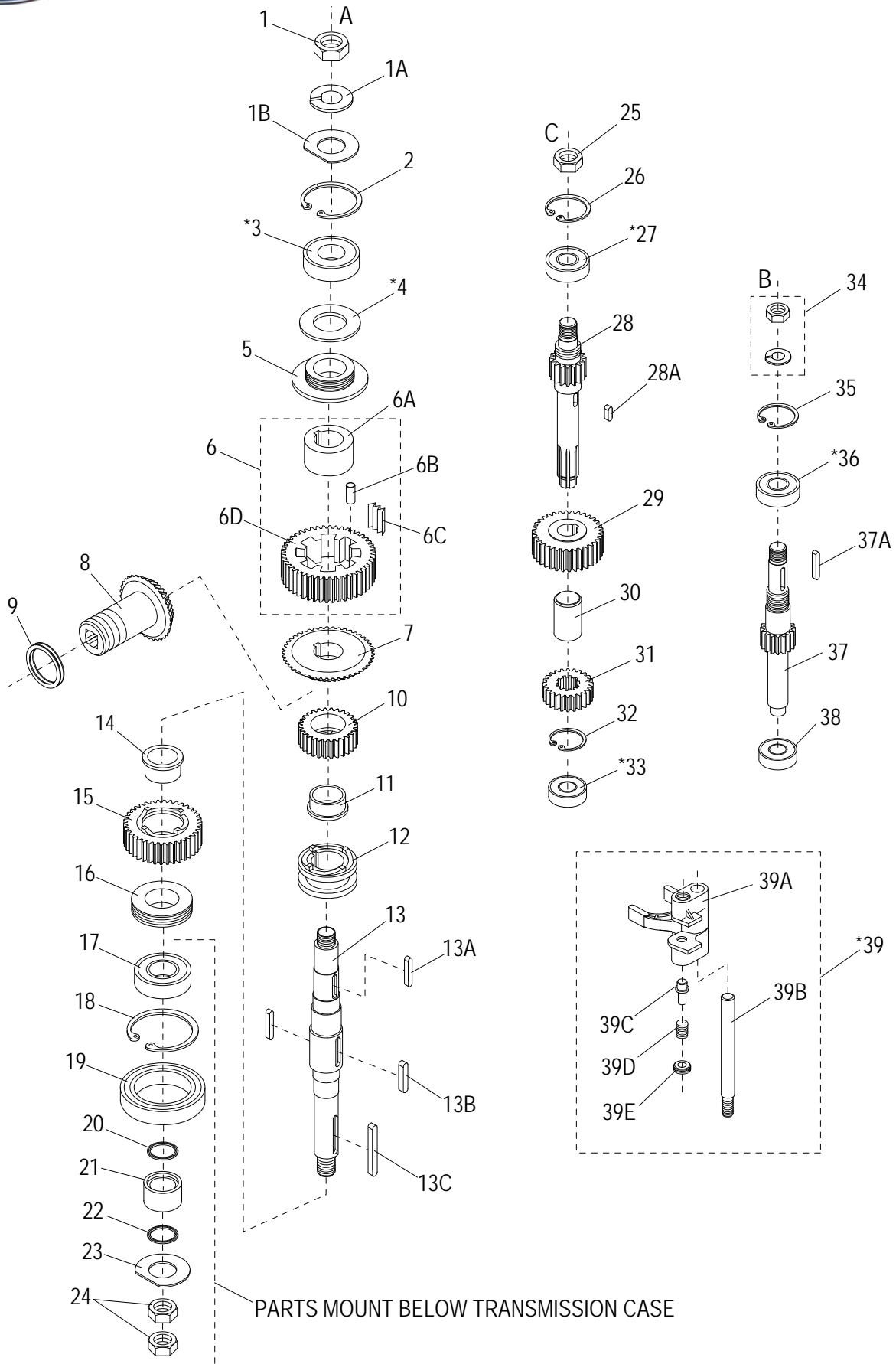


SP40 Planetary Components

Item	Part Number	Description	Qty	Serial Number
1	X40019-28	Complete Planetary Assembly	1	
2	X40019	Screw M10x24mm (Old Style Shaft)	1	
3	X30020	Nut M14 Stop & Washers	1	
4	X40021	Pinion, Beater (21T)	1	
5	X10102	Ball Bearing	1	
6	X40023-DG	Planetary Shaft Holder	1	
7	X30024	Ball Bearing	1	
8	X40025	Oil Seal	1	
9	X40027	Planetary Shaft, External Thread (New Style)	1	
9		Planetary Shaft, Internal Thread (Old Style)	1	
9A	X30028	Dowel Pin M12x17mm	1	
9B	X40026	Shaft Key 6x6x22mm	1	
10	X40090P	Slide Sheath	1 Phase or 3 Phase	1 ->7410525 or 7450536
10A	X10041	Touch Mass	1 Phase or 3 Phase	2 ->7410525 or 7450536
10B	X10042	Screw M4x10mm Flat Hd - SS	1 Phase or 3 Phase	2 ->7450536 or 7450536
10C	X10135	Safety Guard Spring Lock Fixture	1 Phase or 3 Phase	1 ->7410525 or 7450536
10D		Screw M4x10mm Round Hd	1 Phase or 3 Phase	2 ->7410525 or 7450536
11	X40091	Gasket	1 Phase or 3 Phase	1 ->7410525 or 7450536
12	X40092	Ring Gear (67T)	1 Phase or 3 Phase	1 ->7410525 or 7450536
12A	X30099	Screw M8x28mm Socket Hd	1 Phase or 3 Phase	6 ->7410525 or 7450536
13	X40093-94	Front Interlocking Guard Assy	1 Phase or 3 Phase	1 ->7410525 or 7450536
13A	X10083	Screw M5x8mm Hex Hd - Locking Patch	1 Phase or 3 Phase	6 ->7410525 or 7450536
14	X400S2	Plastic Slide Sheath, Removable Safety Guard	1 Phase or 3 Phase	1 7410524 or 7450535 ->
15	X200S3	Spring Plunger Hardware Kit	1 Phase or 3 Phase	1 7410524 or 7450535 ->
16		Spring	1 Phase or 3 Phase	1 7410524 or 7450535 ->
17		Plunger	1 Phase or 3 Phase	1 7410524 or 7450535 ->
18		Plate, Plunger Retention	1 Phase or 3 Phase	1 7410524 or 7450535 ->
19		Screw M3x8mm Flat Hd	1 Phase or 3 Phase	2 7410524 or 7450535 ->
20	X400S1	Bowl Guard Assembly, Stainless Steel	1 Phase or 3 Phase	1 7410524 or 7450535 ->
21	X30504	Handle, Plastic - Removable Safety Guard	1 Phase or 3 Phase	1 7410524 or 7450535 ->
22	XXSCRP-40	Bowl Scraper Assembly	1 Phase or 3 Phase	1 7410619 or 7450580 ->
23		Scraper Mounting Kit	1 Phase or 3 Phase	1 7410619 or 7450580 ->
24		Washer	1 Phase or 3 Phase	2 7410619 or 7450580 ->
25		Scraper Mounting Hub	1 Phase or 3 Phase	1 7410619 or 7450580 ->
26		Washer M8 Flat	1 Phase or 3 Phase	2 7410619 or 7450580 ->
27		Washer M8 Split Lock	1 Phase or 3 Phase	2 7410619 or 7450580 ->
28		Screw M8x25mm Hex Hd	1 Phase or 3 Phase	2 7410619 or 7450580 ->
29		Scraper Arm	1 Phase or 3 Phase	1 7410619 or 7450580 ->
30		Bowl Scraper	1 Phase or 3 Phase	1 7410619 or 7450580 ->



SP40 Gearbox Components



*PART CONFIGURATION MAY VARY.



SP40 Gearbox Components

Item	Part Number	Description	Qty	Serial Number
1	X40111	Nut M24 Jam	1	
1A	X40111A	Washer M24 Split Lock	1	
1B		Washer M24 Flat D Shape	1	
2	X30112	Retaining Ring STW-52	1	
3	X30024	Ball Bearing	1 Phase or 3 Phase	1 7410232 or 7450266 ->
4		Shim	1 Phase or 3 Phase	0 7410232 or 7450266 ->
5	X40113	Lead-In Oil Pad	1	
6	X40114-117	Slow Speed Gear Assembly	1	
6A		Bushing	1	
6B		Dowel Ø8x16mm Pin	1	
6C		Slice Spring	1	
6D		Gear, Slow Speed (52T)	1	
7	X40118	Gear, Bevel (52T)	1	
8	X40014	Level Drive Gear (35T)	1	
9	X30018-1	Thrust Washer Ø45xØ35mm	1	
10	X40120	Gear, Clutch (36T) Old Style	1	
10		Gear, Clutch (34T) New Style	1	
10	X40222	Gear, Clutch (34T) New Style	1 Phase or 3 Phase	1 7410232 or 7450266 ->
11	X40119	Bushing, Clutch	1	
12	X40133	Sleeve, Clutch	1	
13	X40130	Drive Shaft	1	
13A	X40121	Shaft Key 8x8x44mm RR	1	
13B	X40132	Shaft Key 8x8x40mm RR	2	
13C	X30131	Shaft Key 10x10x57mm	1	
14	X40119	Bushing, Clutch	1	
15	X40122	Gear, Clutch (45T)	1	
16	X30124	Heel	1	
17	X40125	Ball Bearing	1	
18	X40126	Retaining Ring STW-80	1	
19	X40128	Oil Seal	1	
20	X30221	O-Ring 36x30x3mm	1	
21	X40127	Guard, Oil Bushing	1	
22	X30221	O-Ring 36x30x3mm	1	
23		Washer M20 Flat D Shape	1	
24	X30111	Nut M20 Jam	2	
25	X40152	Stop Nut M18	1	
26	X25106	Retaining Ring STW-52	1	
27	X10012	Ball Bearing	1 Phase or 3 Phase	1 7410232 or 7450266 ->
28	X40150-1	Transmission Shaft (13T) Old Style, Keyed	1	
28	X40150-2	Transmission Shaft (13T) New Style, Splined	1	
28A	X40149	Shaft Key 8x8x22mm	1	
29	X40148	Gear (29T) Old Style	1	
29	X40223	Gear (31T) New Style	1 Phase or 3 Phase	1 7410232 or 7450266 ->
30	X40144	Bushing, Spacer	1	
31	X40143-1	Gear (20T) Old Style, Keyed	1	
31	X40143-2	Gear (20T) New Style, Splined	1	
32	X40141	Retaining Ring STW-24	1	
33	X30140	Ball Bearing	1 Phase or 3 Phase	1 7410232 or 7450266 ->
34	X40082	Nut M16 Jam & Washers	1	
35	X30146	Retaining Ring STW-42	1	
36	X10012	Ball Bearing	1 Phase or 3 Phase	2 7410232 or 7450266 ->
37	X40145	Shaft, Master (15T)	1	
37	X40224	Shaft, Master (13T)	1 Phase or 3 Phase	1 7410232 or 7450266 ->



SP40 Gearbox Components

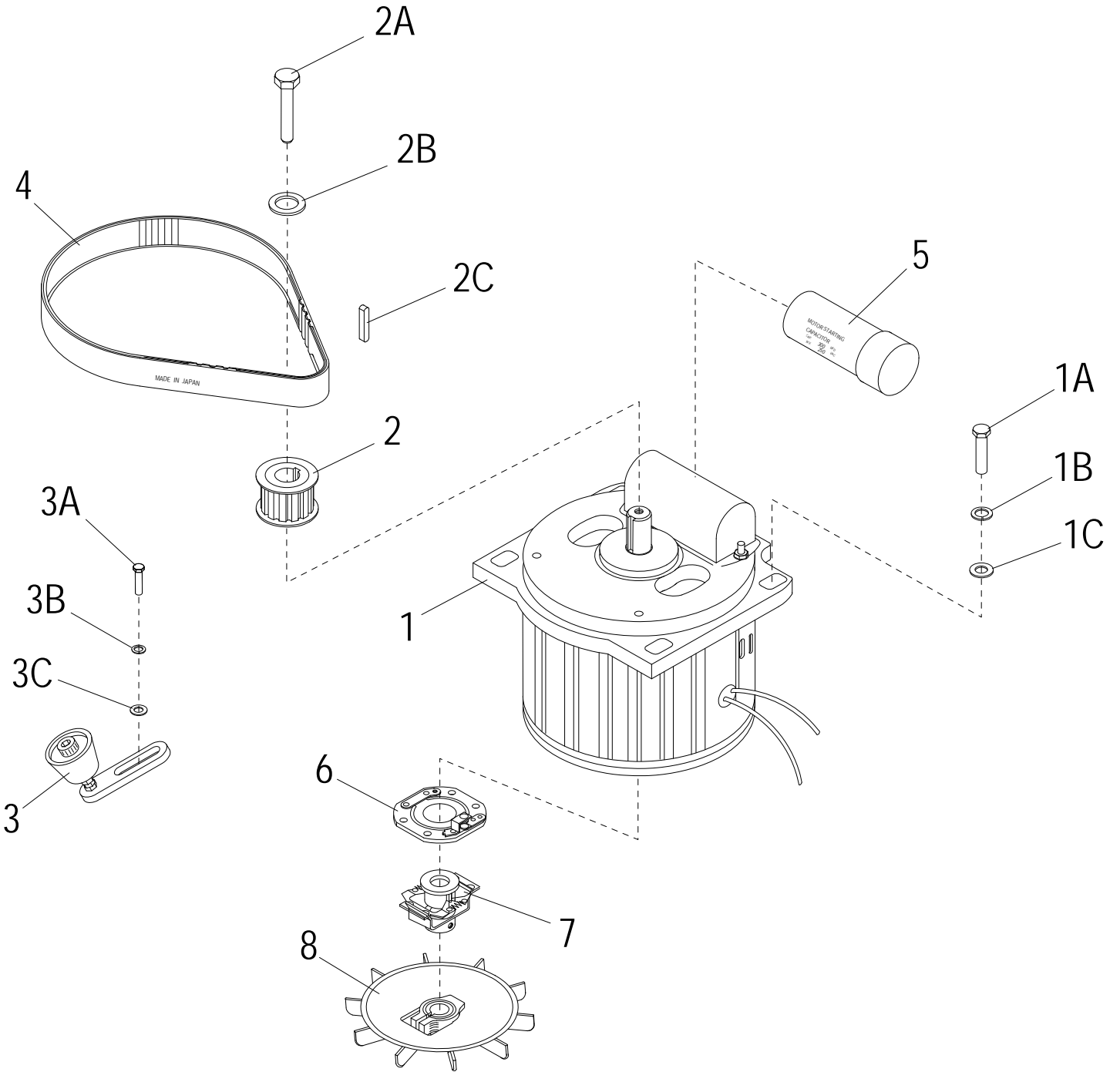
Item	Part Number	Description	Qty	Serial Number
37A	X40081	Shaft Key	1	
38	X30140	Ball Bearing	1	
39	X40134-139	Yoke, Shifter Assembly	1	
39A		Yoke, Shifter	1	
39B		Guide, Rod Shifter	1	
39C		Plunger, Yoke Shifter	2	
39D		Spring, Yoke Shifter	2	
39E		Spring, Retainer	2	



INTENTIONALLY LEFT BLANK PAGE



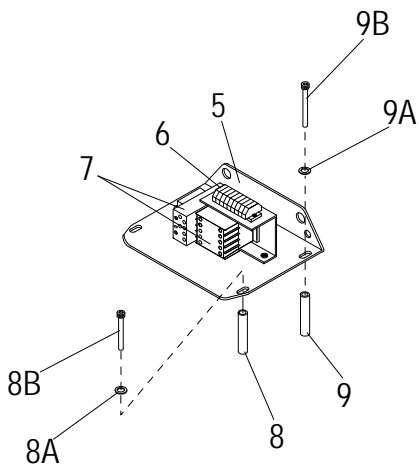
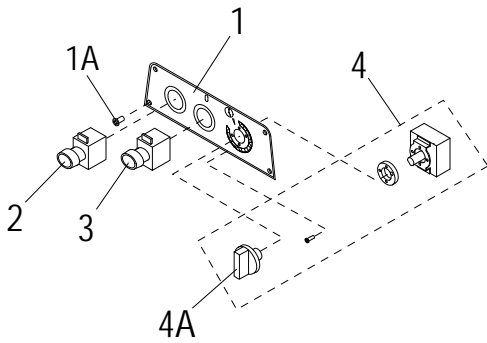
SP40 Motor Components



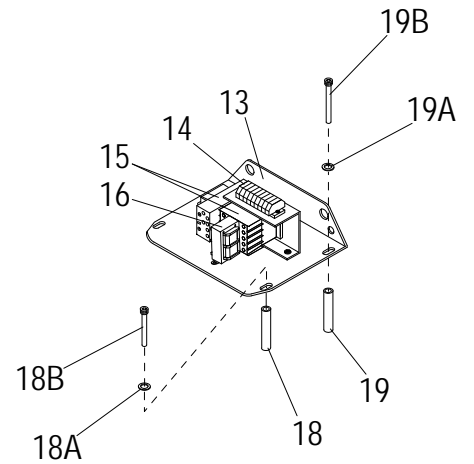
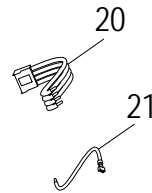
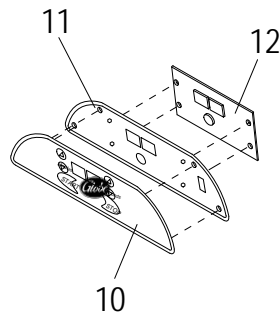


SP40 Motor Components

Item	Part Number	Description	Qty	Serial Number
1	X40068-1	Motor, SP40P 2HP 208/60/3 (SP40p-3)	3 Phase	1
1	X40068-2	Motor, SP40P 2HP 220/60/1 (SP40P-1)	1 Phase	1
1A	X40069	Screw M8x30mm Hex Head		4
1B	X08102	Washer M8 Split Lock		4
1C	X08076	Washer M8 Flat		4
2	X30071	Wheel, Motor Cog (18T) 60HZ		1
2	X00734	Wheel, Motor Cog (20T) 50HZ		1
2A	X40075	Screw M8x20mm Hex Head		1
2B	X30074	Washer M8 Flat		2
2C	X30073	Shaft Key 5x5x25		1
3	X30158	Belt Tensioner		1
3A	X40159	Screw M8x24mm Hex Head		2
3B	X08102	Washer M8 Split Lock		2
3C	X08076	Washer M8 Flat		2
4	X40072-1	Cogged Belt (S8M-880)		1
4	X40072-2	Cogged Belt (S8M-896)		1
5	X30070-1	Capacitor, Start 400MF	Replace parts w/Same Elect. Rating	1
5	X30070-1A	Capacitor, Start 600MF	Replace parts w/Same Elect. Rating	1
5	X40070-2	Capacitor, Run 50MF	Replace parts w/Same Elect. Rating	1
5	X60070-2	Capacitor, Run 70Mf	Replace parts w/Same Elect. Rating	1
6	X40067	Switch, Platinum		1
7	X40064	Clutch		1
8	X40061	Cooling Fan		1



Manual Timer



Digital Timer

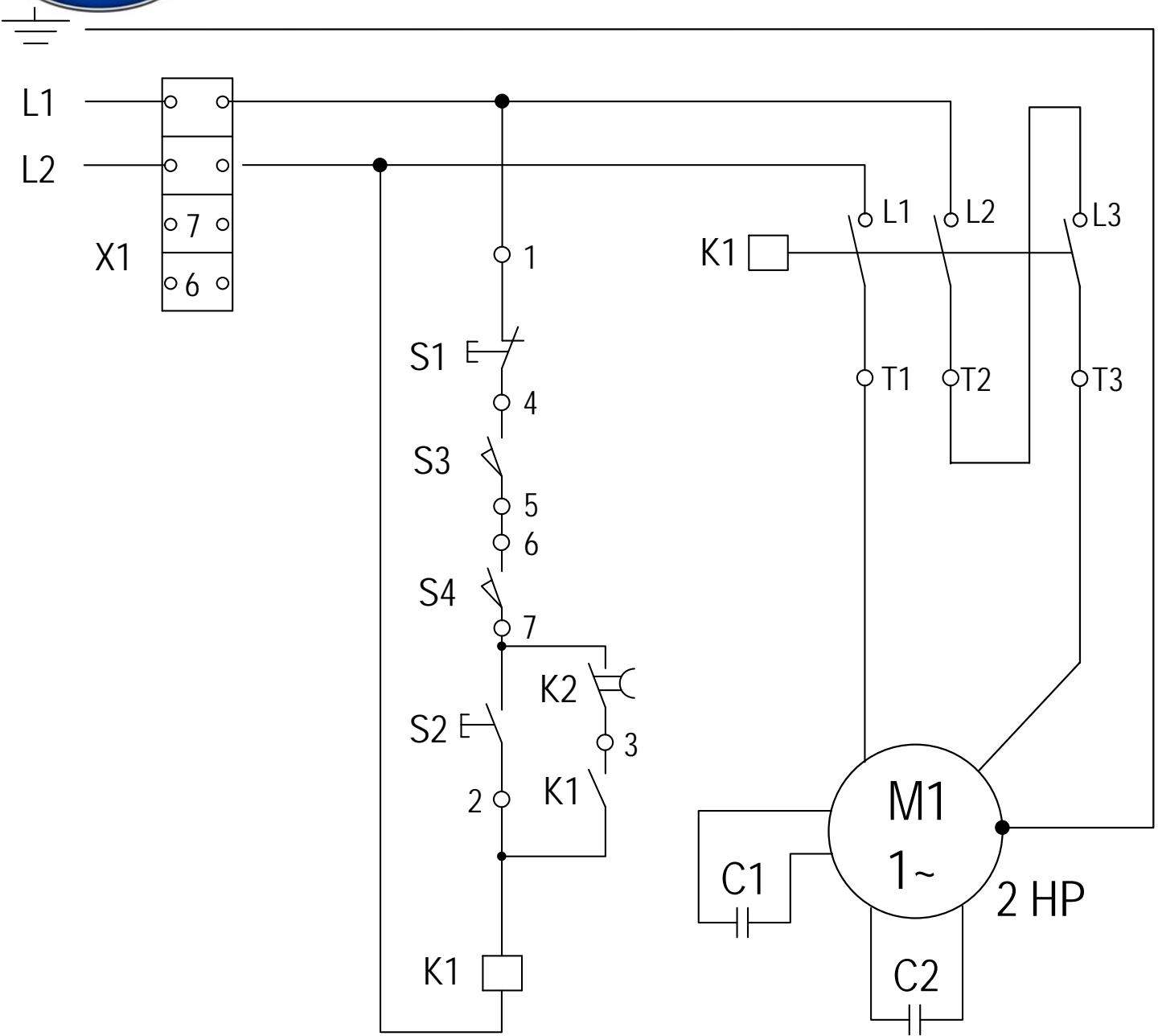


SP40 Manual and Digital Timer

Item	Part Number	Description	Qty	Serial Number
1	X40005	Control Panel	1	
1A	X30204	Screw M4x10mm Truss Hd	8	
1B	X40009	Gasket, Control Panel (Not Shown)	1	
2	X10050	Emergency Stop Button	1	
3	X30007	Start Button	1	
3A	X30007-1	Boot, Start/Stop Switch Button (Not Shown)	2	
3B	X30007-1B	Light Bulb, Start Button (Not Shown)	1	
4	X10137	Timer Assembly With Knob	1	
4A	X10137-1	Timer Knob	1	
5	X40013	Plate, Electronics Mounting	1	
6	X40012	Connecting Block Set	1	
6	X40012-EC	Connecting Block End Cap	1	
6	X40012-4R	Connecting Block, 4C Org	1	
6	X40012-2G	Connecting Block, 2C Gry	7	
7	X40154-1	Overload Relay/Contactor Kit, SP40 2HP 3 Phase	1	
7	X40154-2	Overload Relay/Contactor Kit, SP40 2HP 1 Phase	1	
8	X40153	Tube, Support - Front (67mm)	2	
8A		Washer M8 Flat	2	
8B	X30086	Cap Screw, Socket Hd	2	
9A		Washer M8 Flat	2	
9B	X30010	Screw M8x88mm Hex Hd	2	
9	X40085	Tube, Support - Rear (89mm)	2	
10	X00567	Switch, Membrane	1	
11	X01338	Aluminum Panel	1	
12	X00568	Control Board	1	
13	X40013	Plate, Electronics Mounting	1	
14	X40012	Connecting Block Set	1	
14	X40012-2G	Connecting Block, 2C Gry	6	
14	X40012-4R	Connecting Block, 4C Org	2	
14	X40012-EC	Connecting Block End Cap	1	
15	X40154-1	Overload Relay/Contactor Kit, SP40 2HP 3 Phase	1	
15	X40154-2	Overload Relay/Contactor Kit, SP40 2HP 1 Phase	1	
16	X00569	Control Transformer Assembly	1	
17	X00570	Control Transformer Fuse (Not Shown)	1	
18	X40153	Tube, Support - Front (67mm)	2	
18A		Washer M8 Flat	2	
18B	X30086	Cap Screw, Socket Hd	2	
19	X40085	Tube, Support - Rear (89mm)	2	
19A		Washer M8 Flat	2	
19B	X30010	Screw M8x88mm Hex Hd	2	
20	X00675	4 Wire Harness With Connector	1	
21	X00676	Single Wire With Quick Connect	2	



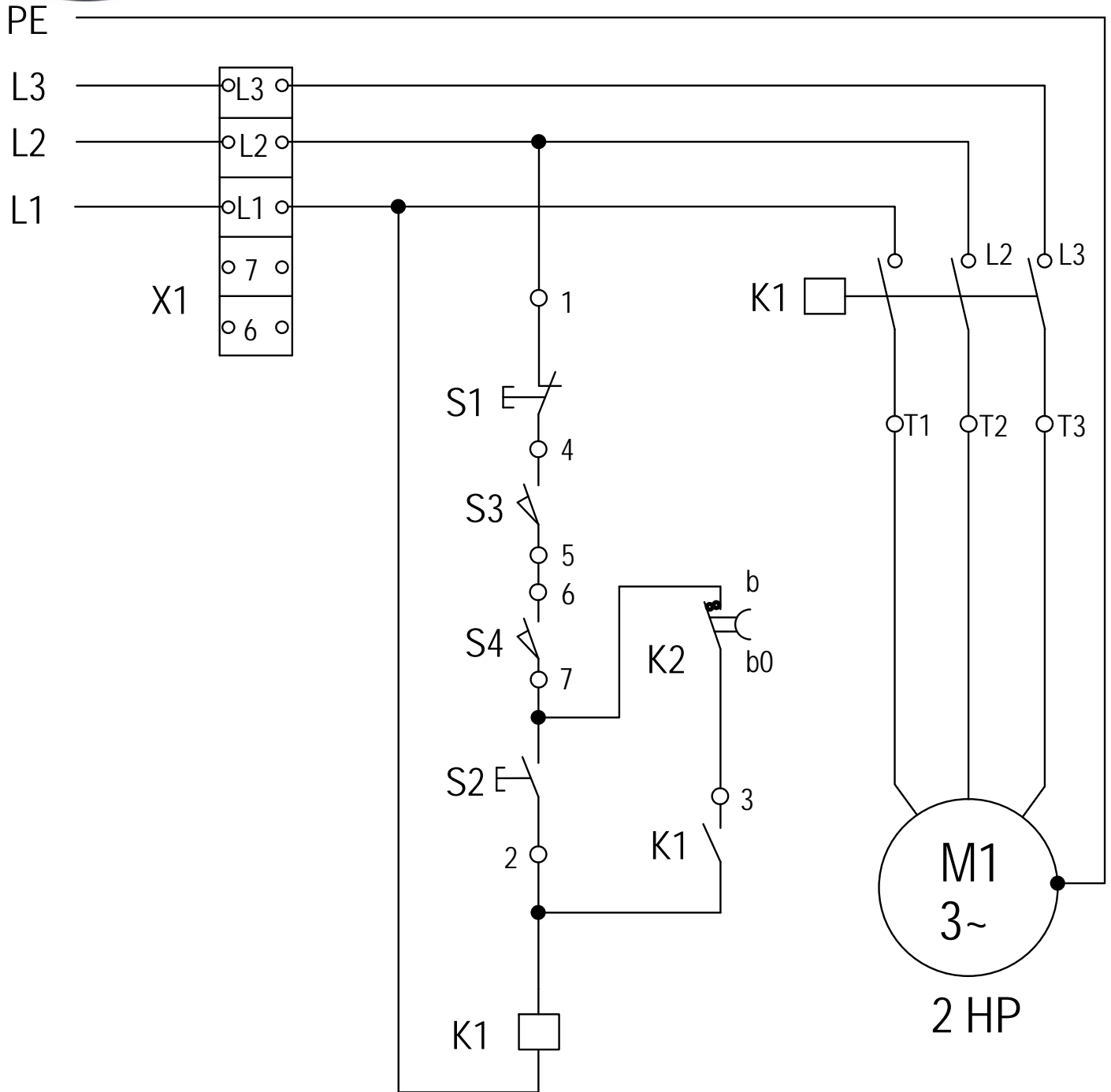
SP40 Electrical Diagram, 220V Single Phase



Item	Description	Qty.
C1	Capacitor, Start	1
C2	Capacitor, Run	1
S1	Emergency Stop Button	1
S2	Start Button	1
S3	Microswitch (Bowl Lift)	1
S4	Microswitch (Interlock Guard)	1
K1	Contractor	1
K2	Timer	1
M1	Motor, 3HP Single Phase 330V	1



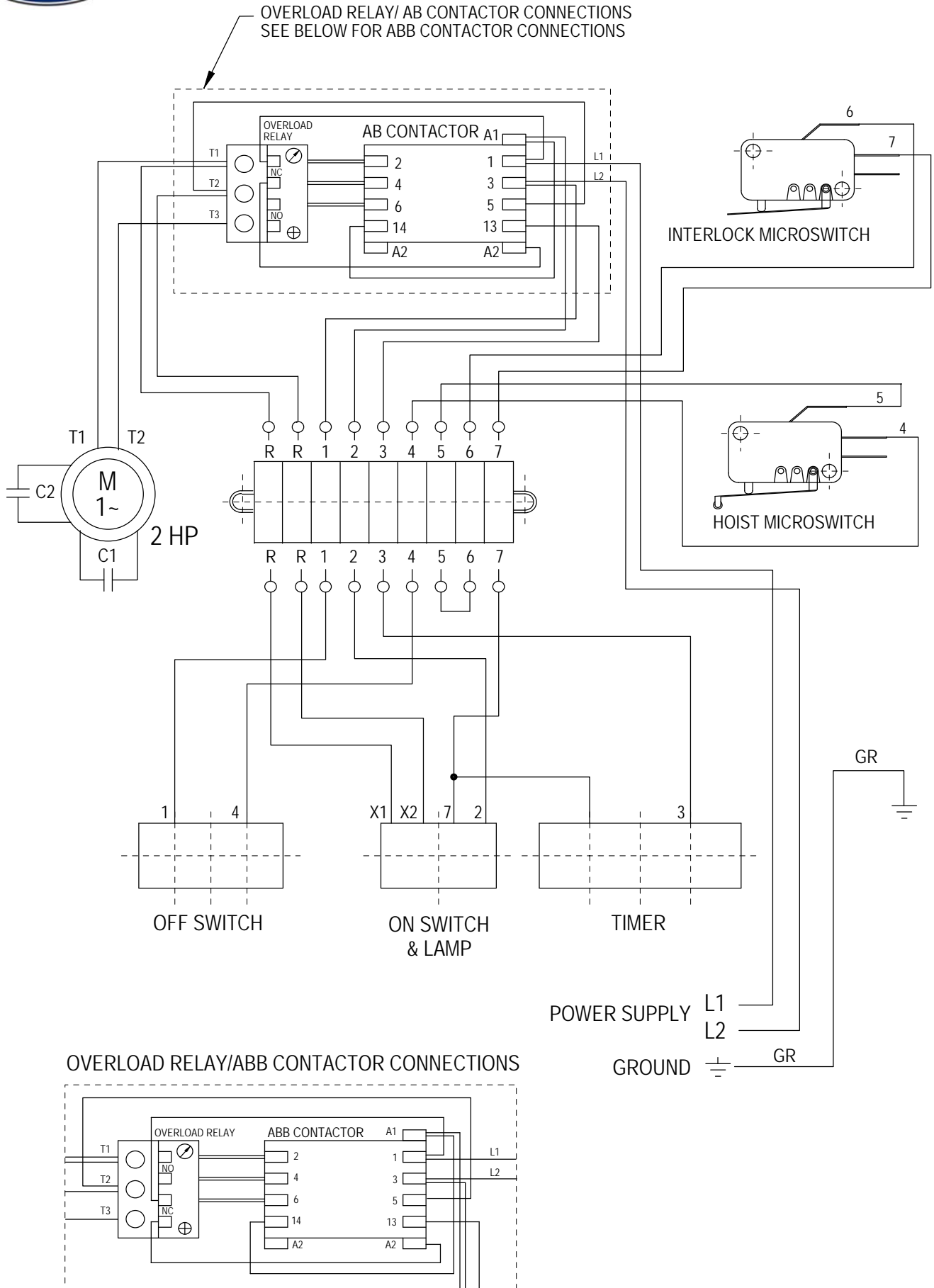
SP40 Electrical Diagram, 208V Three Phase



Item	Description	Qty.
S1	Emergency Stop Button	1
S2	Start Button	1
S3	Microswitch (Bowl Lift)	1
S4	Microswitch (Interlock Guard)	1
K1	Contractor	1
K2	Timer	1
M1	Motor, 2HP Three Phase 208V	1

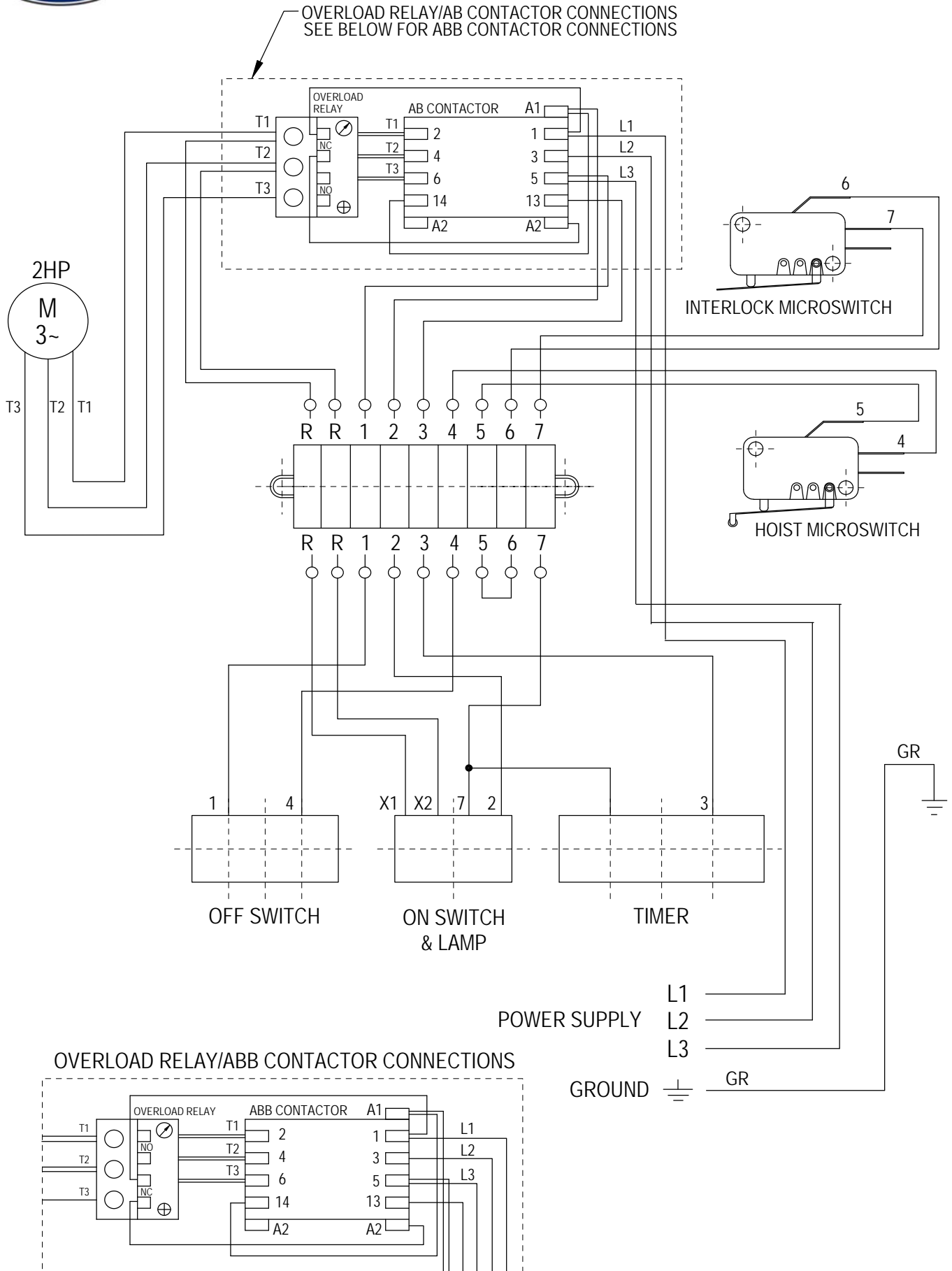


SP40 Wiring Diagram, 220V Single Phase





SP40 Wiring Diagram, 208V Three Phase





SP40 Wiring Diagram, 220V Single Phase

